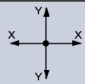
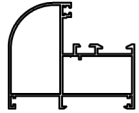
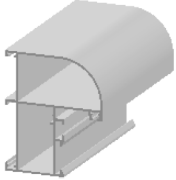
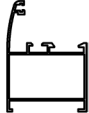
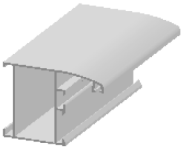
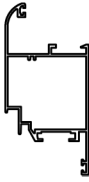
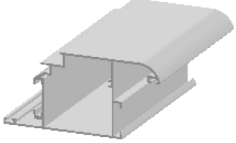
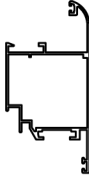
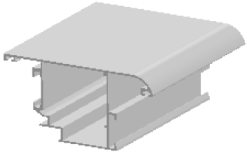
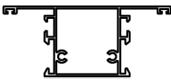
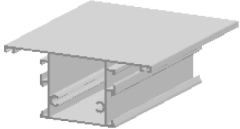

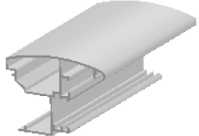




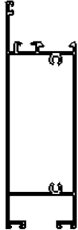
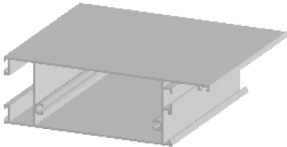
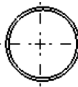


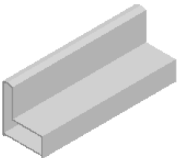

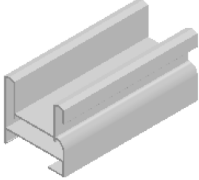
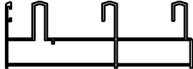
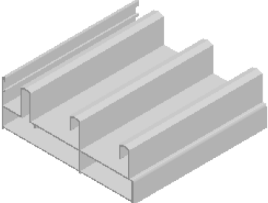
KATALOG
ALUMINIJUMSKE KONSTRUKCIJE

CATALOGUE
OF ALUMINIUM CONSTRUCTION



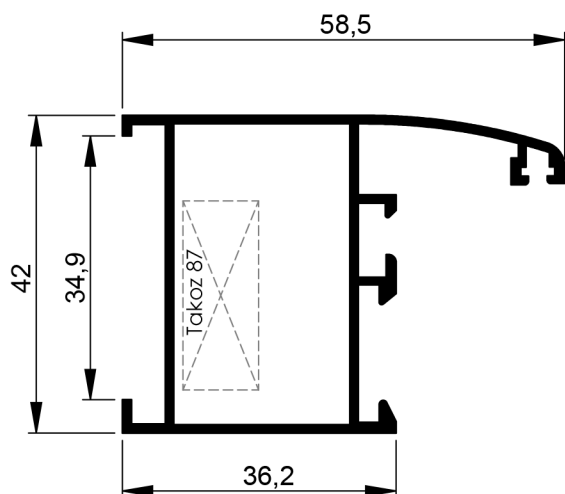
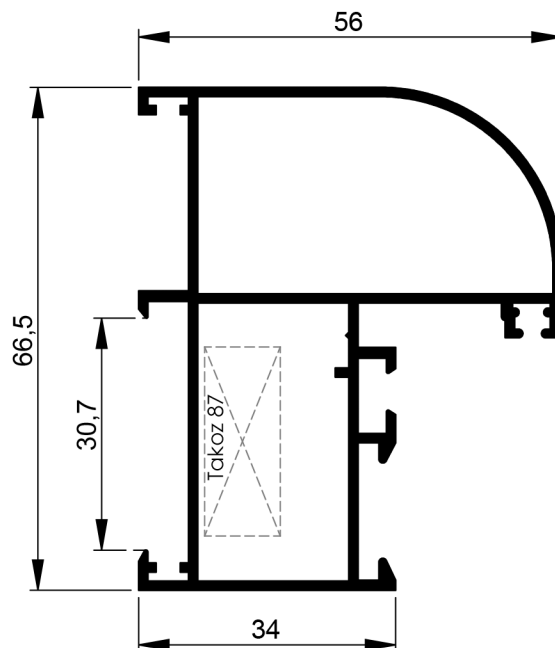
ALH mini i klizno

IZGLED DESIGN	ŠIFRA CODE	3D PRIKAZ 3D VIEW	TEŽINA WEIGHT (kg/m)	Jxx (cm ⁴)	 Jyy (cm ⁴)
	6290		1.041 Kg/m	9.97	17.79
	6291		0.720 Kg/m	4.43	7.77
	6292		1.027 Kg/m	7.03	22.70
	857		1.010 Kg/m	8.68	19.29
	6293		0.916 Kg/m	6.93	16.61
	6289		0.744 Kg/m	4.93	7.08

IZGLLED DESIGN	ŠIFRA CODE	3D PRIKAZ 3D VIEW	TEŽINA WEIGHT (kg/m)	J _{xx} (cm ⁴)	J _{yy} (cm ⁴)
	1826		0.390 Kg/m	0.37	3.11
	1839		1.320 Kg/m	10.14	61.09
	2108		0.480 Kg/m	3.11	3.11
	855		0.450 Kg/m	0.90	2.32
	6294		0.720 Kg/m	4.61	8.33
	6569		1.300 Kg/m	4.96	42.97

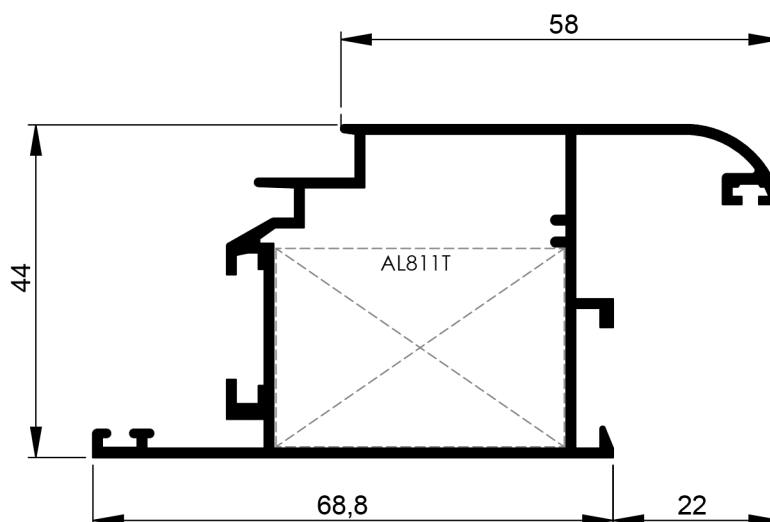
IZGLED DESIGN	ŠIFRA CODE	3D PRIKAZ 3D VIEW	TEŽINA WEIGHT (kg/m)	Jxx (cm ⁴)	Jyy (cm ⁴)
	6295		0.710 Kg/m	3.36	7.87
	6297		0.720 Kg/m	3.47	7.67
	6298		0.330 Kg/m	0.48	1.68
	5386		0.216 Kg/m	0.14	0.43
	2228		0.183 Kg/m	0.23	0.26

6290		
JX (cm ⁴) 9.97		JY (cm ⁴) 17.79
TEŽINA / WEIGHT (kg/m) 1.041		

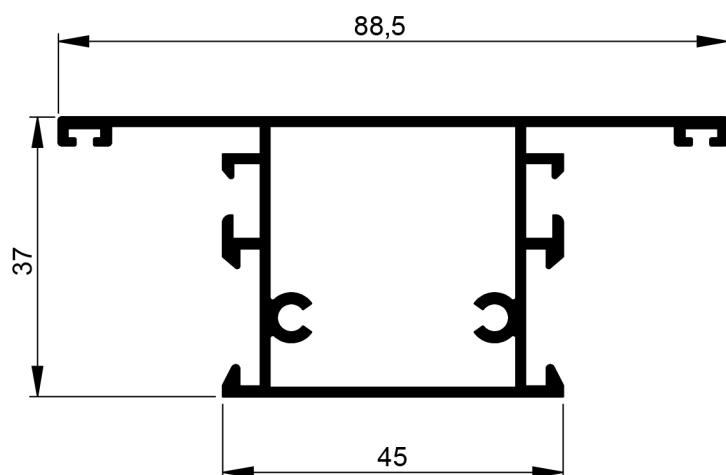
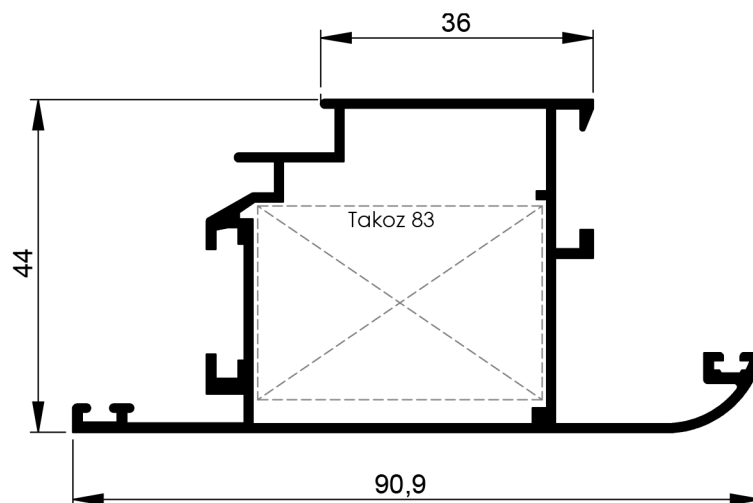


6291		
JX (cm ⁴) 4.43		JY (cm ⁴) 7.77
TEŽINA / WEIGHT (kg/m) 0.720		

6292		
JX (cm ⁴) 7.03		JY (cm ⁴) 22.70
TEŽINA / WEIGHT (kg/m) 1.027		

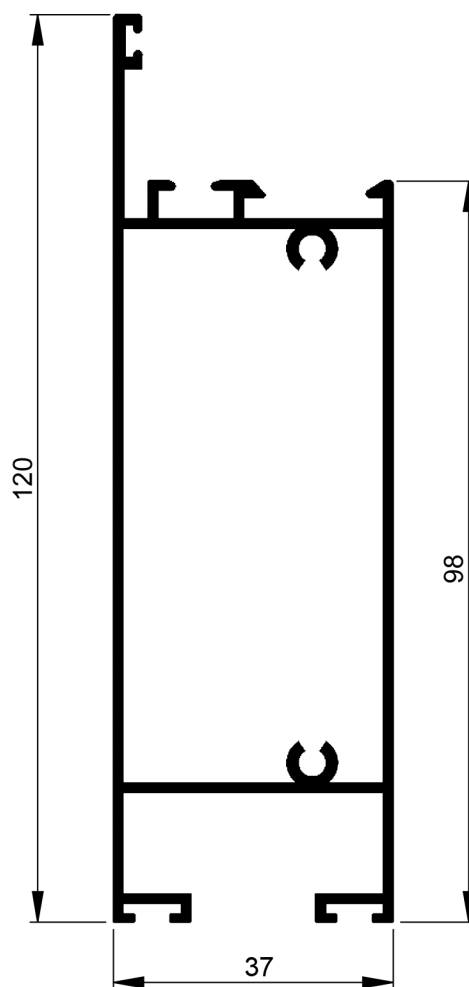


857		
JX (cm ⁴) 8.68		JY (cm ⁴) 19.29
TEŽINA / WEIGHT (kg/m) 1.010		

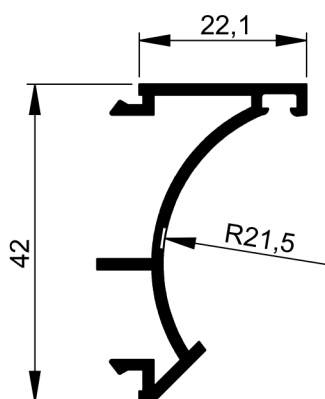
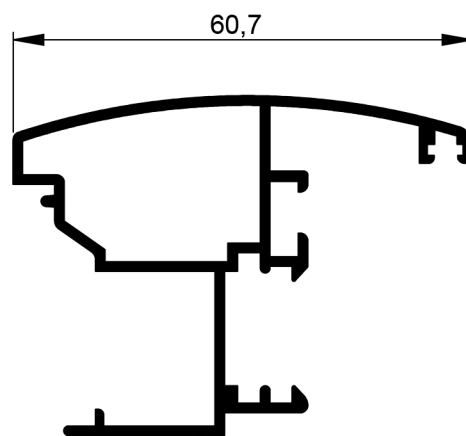


6293		
JX (cm ⁴) 6.93		JY (cm ⁴) 16.61
TEŽINA / WEIGHT (kg/m) 0.916		

1839		
JX (cm ⁴) 10.14		JY (cm ⁴) 61.09
TEŽINA / WEIGHT (kg/m) 1.320		

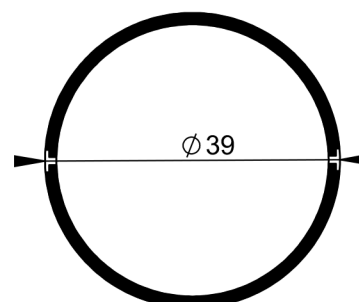


6289		
JX (cm ⁴) 4.93		JY (cm ⁴) 7.08
TEŽINA / WEIGHT (kg/m) 0.744		

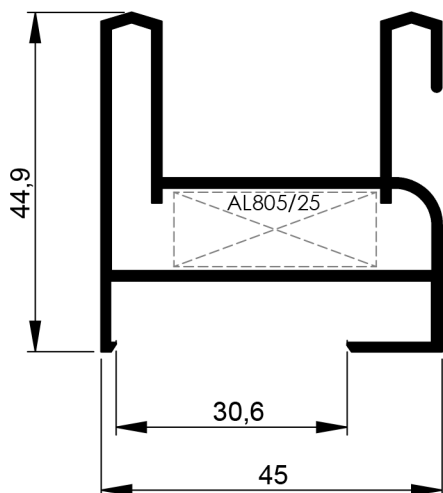
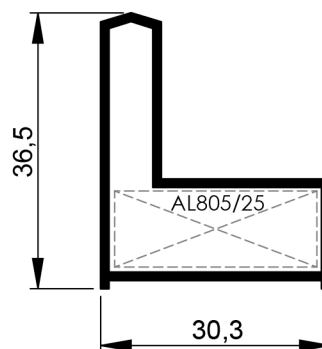


1826		
JX (cm ⁴) 0.37		JY (cm ⁴) 3.11
TEŽINA / WEIGHT (kg/m) 0.390		

2108		
JX (cm ⁴) 3.11		JY (cm ⁴) 3.11
TEŽINA / WEIGHT (kg/m) 0.480		

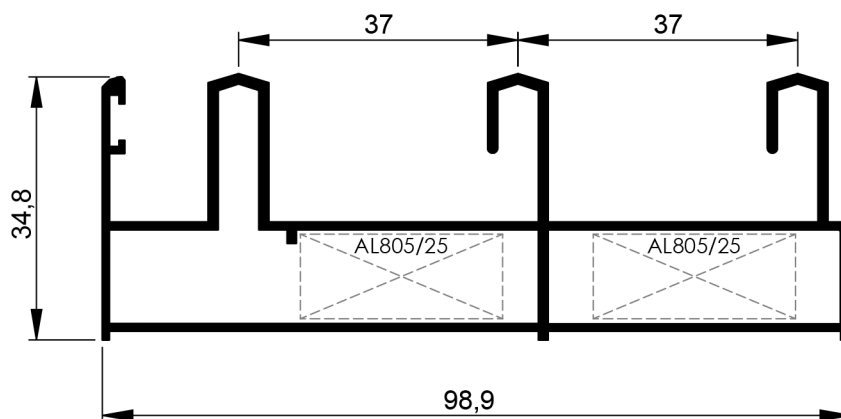


855		
JX (cm ⁴) 0.90		JY (cm ⁴) 2.32
TEŽINA / WEIGHT (kg/m) 0.450		



6294		
JX (cm ⁴) 4.61		JY (cm ⁴) 8.33
TEŽINA / WEIGHT (kg/m) 0.720		

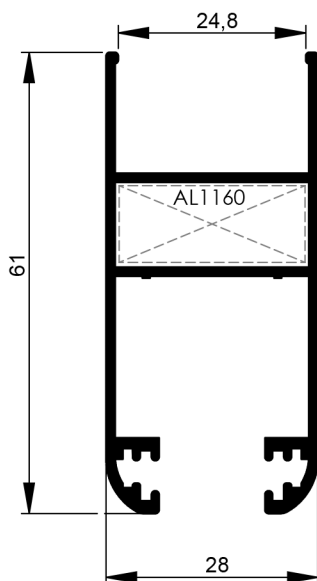
6569		
JX (cm ⁴) 4.96		JY (cm ⁴) 42.97
TEŽINA / WEIGHT (kg/m) 1.300		



6295

JX (cm ⁴) 3.36		JY (cm ⁴) 7.87
---	--	---

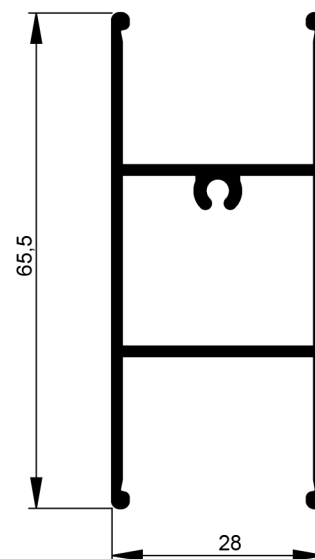
TEŽINA / WEIGHT
(kg/m)
0.710



6297

JX (cm ⁴) 3.47		JY (cm ⁴) 7.67
---	--	---

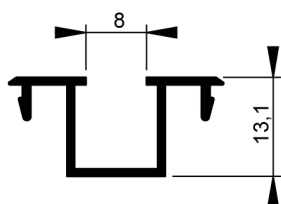
TEŽINA / WEIGHT
(kg/m)
0.720



5386

JX (cm ⁴) 0.14		JY (cm ⁴) 0.43
---	--	---

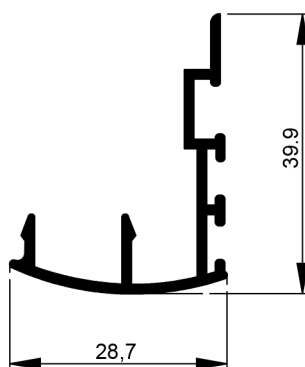
TEŽINA / WEIGHT
(kg/m)
0.216



6298

JX (cm ⁴) 0.48		JY (cm ⁴) 1.68
---	--	---

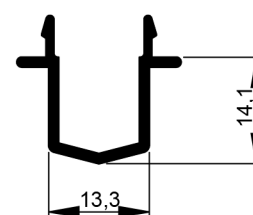
TEŽINA / WEIGHT
(kg/m)
0.330



2228

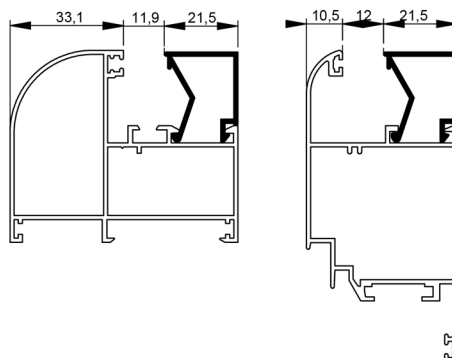
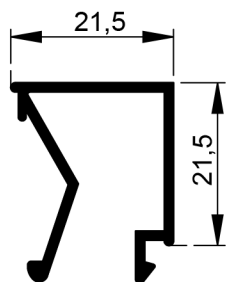
JX (cm ⁴) 0.23		JY (cm ⁴) 0.26
---	--	---

TEŽINA / WEIGHT
(kg/m)
0.183

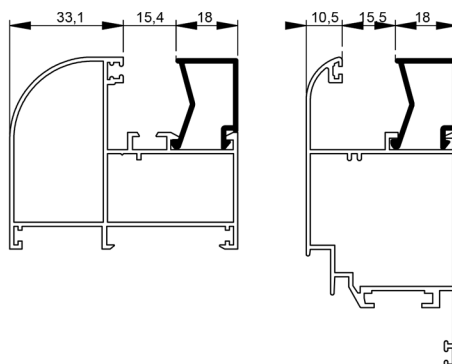
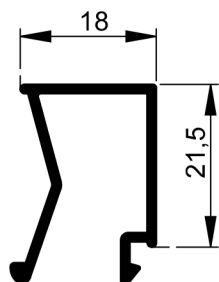


ŠIFRA CODE	TEŽINA (kg/m) WEIGHT	L m	
1835	0.275	6	
18.1	0.255	6	
872	0.250	6	
1836	0.230	6	

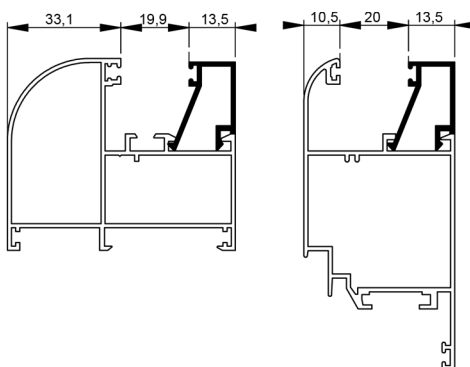
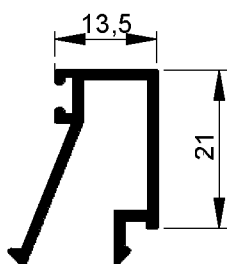
1835



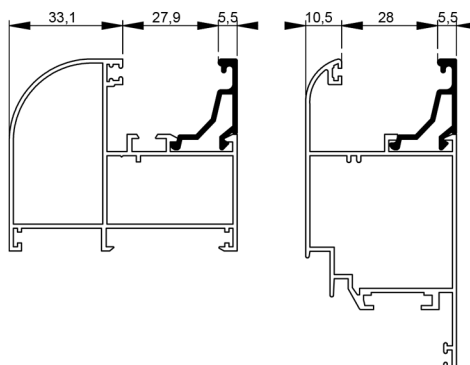
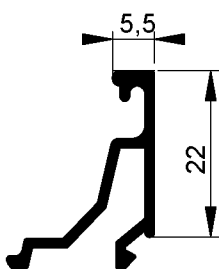
18.1

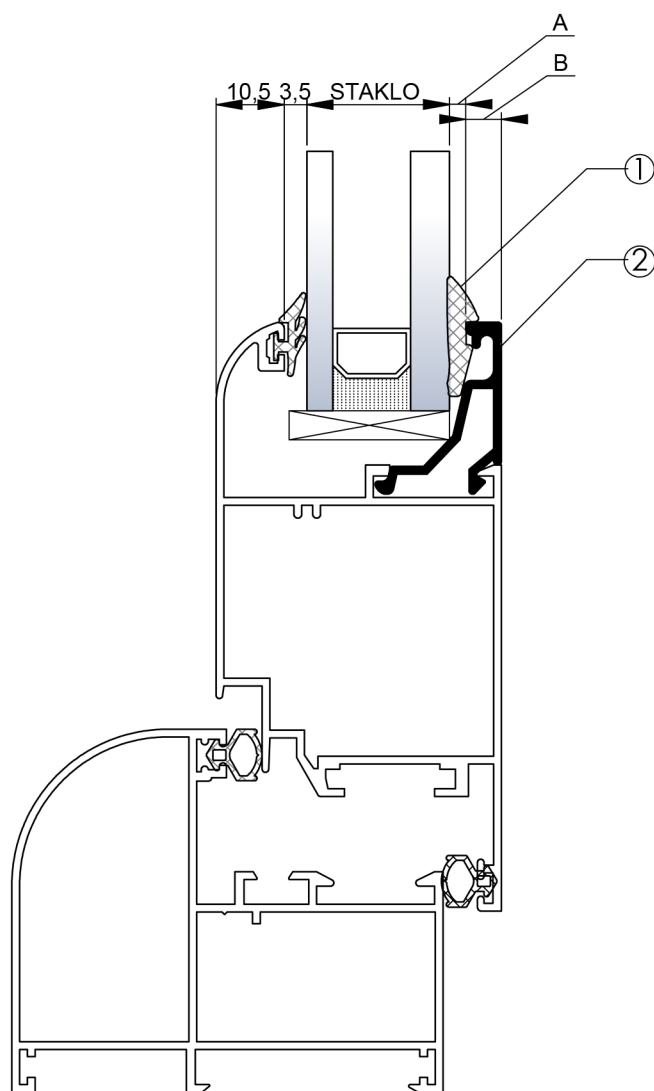


872



1836





STAKLO GLASS	EPDM GUMA EPDM RUBBER		LAJSNA GLAZING BEAD PROFILE	
	mm	①	B:mm	②
4mm	4mm	P007	21mm	1835
6mm	2mm	P225	21mm	1835
10mm	4mm	P007	18mm	18.1
12mm	4mm	P007	13.5mm	872
20mm	4mm	P007	5.5mm	1836

1.5 -2mm	3 -4mm	5 -6mm	Spoljna guma
P225	P007	P228	P031

KATALOG ALUMINIJUMSKE KONSTRUKCIJE
CATALOGUE OF ALUMINIUM CONSTRUCTION

Aluminijumski Prozorski Sistem
Aluminium Window System

Detalji Sistema
System Details

ALH mini i klizno

DETALJI

DETAILS

