

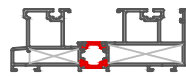
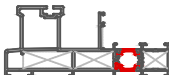
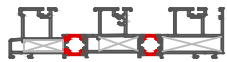
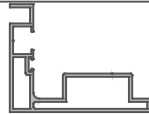
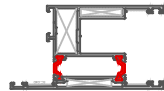
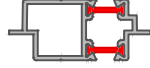
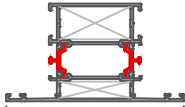
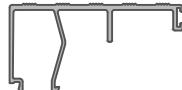

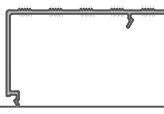





Large windows for all
type of buildings

Podizno-Klizni SSI 128

SSI 128 SERIES PROFILES INDEX

Podizno-Klizni SSI 128





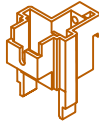

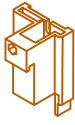
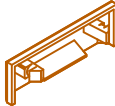
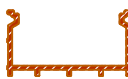

SSI 128 SERIES PROFILES INDEX

ŠIFRA PROFILE NO.	OPIS DESCRIPTION	CRTEŽ DRAWING	STRANA PAGE
9201-9202	DVOKANALNI ŠTOK DOUBLE TRACK FRAME PROFILE		15
9001-9200	JEDNOKANALNI ŠTOK SA FIKSNIM ELEMENTOM SINGLE TRACK RAIL PROFILE		15
9201-9202-9212	TROKANALNI ŠTOK TRIPLE TRACK FRAME PROFILE		17
10593	ADAPTER ZA TRI KRILA NA DVOŠINCU TRIPLE SASH ADAPTER FRAME PROFILE		20
9204-9205	PROFIL KRILA SASH PROFILE		18
9207-9208	SREDNJA DOPUNA FOUR-SASH CENTRAL CONNECTOR PROFILE		18
9009-9010	"T" PROFIL WIDE MULLION PROFILE		19
9206	POKRIVNA LAJSNA ŠTOKA KOD ELEMENTA SA FIKSOM TOP AND BOTTOM FRAME CLOSING PROFILE		20
10591	POKLOPAC KRILA COVER PROFILE FOR FRAME		20
10592	POKRIVNA LAJSNA "T" PREČKE KOD ELEMENATA SA FIKSOM COVER PROFILE FOR TRANSOM		20
10594	PROFIL ŠINE ZA KLIZNI KOMARNIK FLY SCREEN RAIL PROFILE		21
10595	PROFIL KLIZNOG ZA KOMARNIKA FLY SCREEN PROFILE		21
9063	LAJSNA ZA STAKLO 7,2 MM GLAZING BEAD PROFILE 7,2 MM		22
9045	LAJSNA ZA STAKLO 16,2 MM GLAZING BEAD PROFILE 16,2 MM		22
9074	LAJSNA ZA STAKLO 20,9 MM GLAZING BEAD PROFILE 20,9 MM		22

**SSI 128 PODIZNO KLIZNI
GUME I SPOJNICE**

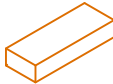
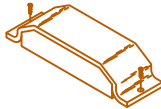


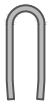
SSI 128 SERIES GASKETS AND ACCESSORIES

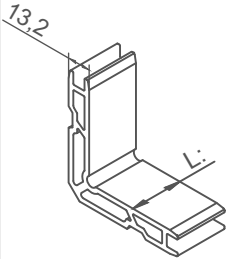
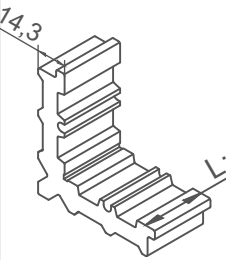
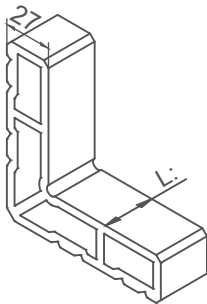
ŠIFRA ACCESSORY CODE	OPIS DESCRIPTION	CRTEŽ DRAWING	MATERIJAL MATERIAL
SC 103-1	SPOLJNA GUMA ZA STAKLO 4 mm, / OUTER GLAZING GASKET 4 mm KOLIČINA / PACKAGE QUANTITY: 250 m / pk		EPDM EPDM
SC-114	DIHT GUMA IZMEĐU KRILA / 4-SASH CENTRAL JUNCTION GASKET KOLIČINA/PACKAGE QUANTITY: 375 m / pk		EPDM EPDM
SC-115	DIHT GUMA KRILA DONJA/BOČNA /SASH BOTTOM AND SIDE SEALING GASKET KOLIČINA/PACKAGE QUANTITY: 330 m / pk		EPDM EPDM
SC-117	GUMA KANALA ŠTOKA / CHANNEL CLOSING GASKET KOLIČINA / PACKAGE QUANTITY: 330 m / pk		EPDM EPDM
SC-118-1	DIHT GUMA IZMEĐU ŠTOKA I LAJSNE ZA FIKS / FRAME COVER PROFILE SUPPORT GASKET KOLIČINA /PACKAGE QUANTITY: 75m / pk		EPDM EPDM
SC-123	GUMA KRILA GORNJA SASH TOP OVERLAP GASKET KOLIČINA/ PACKAGE QUANTITY: 375 m /pk		EPDM EPDM
SC-312	ČETKICA SA SILIKONSKIM DODATKOM / EXTENDED BRUSH GASKET KOLIČINA / PACKAGE QUANTITY: 4x200 m / pk		POLIPROPILEN POLYPROPYLENE
SC 317-1	DIHT GUMA NA PLASTICI IZMEDJU KRILA / PVC SASH PROFILE INTERNAL OVERLAP GASKET KOLIČINA / PACKAGE QUANTITY: 250 m / pk		EPDM EPDM
SC-318	GUMA KANALA NOSAČA ČETKICE NA PVC PROFILU/ PVC CRAMP PROFILE CHANNEL CLOSURE GASKET KOLIČINA / PACKAGE QUANTITY: 500 m / pk		EPDM EPDM

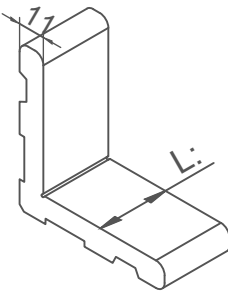
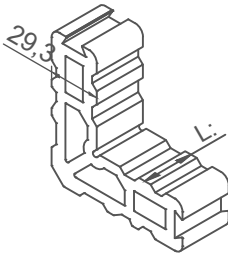
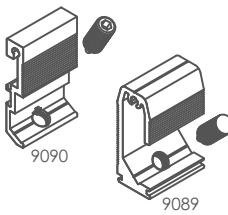
ŠIFRA ACCESSORY CODE	OPIS DESCRIPTION	CRTEŽ DRAWING	MATERIJAL MATERIAL
SC-324	ČETKICA ZA DIHTOVANJE 48x650 mm EXTENDED BRUSH GASKET 48x650 mm KOLIČINA / PACKAGE QUANTITY: 1250 m / pk		POLIPROPILEN POLYPROPYLENE
SC-272	GORNJI ČEP POKLOPCA KRILA / SASH CLOSURE PROFILE SPRING-LOADED TOP COVER KOLIČINA / PACKAGE QUANTITY: 50 ad		PVC PVC
SC-273	DONJI ČEP POKLOPCA KRILA / SASH COVER PROFILE FIXED BOTTOM CAP KOLIČINA / PACKAGE QUANTITY: 50 ad		PVC PVC
SC-274	GORNJI ČEP KRILA DO NOSAČA ČETKICE/ SASH TOP LEFT SUPPORT, FOR THE TAP & CAP INSTALLATION KOLIČINA / PACKAGE QUANTITY: 50 ad	 	PVC PVC
	DONJI ČEP KRILA DO NOSAČA ČETKICE/ SASH BOTTOM LEFT SUPPORT, FOR THE TAP & CAP INSTALLATION KOLIČINA / PACKAGE QUANTITY: 50 ad		
SC-275	GORNJI ČEP KRILA DO ŠTOKA/ SASH TOP RIGHT SUPPORT FOR THE TAP KOLIČINA / PACKAGE QUANTITY: 25 tk / pk	 	PVC PVC
	DONJI ČEP KRILA DO ŠTOKA /SASH BOTTOM RIGHT SUPPORT FOR THE TAP KOLIČINA / PACKAGE QUANTITY: 25 tk / pk		
SC 270	DRENAŽNI ČEP / WATER DRAINAGE CAP KOLIČINA / PACKAGE QUANTITY: 500 ad / pk		PVC PVC
SC 300	PVC ISPUNA KANALA / CENTRAL CHANNEL PROFILE KOLIČINA / PACKAGE QUANTITY: 72 mt / pk (3m x 24 ad)		PVC PVC
SC 302	PODMETAČ ZA STAKLO/ GLAZING BEARING SUPPORT KOLIČINA PARCELE/PACKAGE QUANTITY: 50 ad /pk		PVC PVC

Težine su teoretske I svi profili se mere u trenutku isporuke. / Warning: The weights of profile is theoretical, weighting at the time of delivery are valid

ŠIFRA ACCESSORY CODE	OPIS DESCRIPTION	CRTEŽ DRAWING	MATERIJAL MATERIAL
SC 304	ČETVOROKRILNI ADAPTER KRILA / FOUR SASH ADAPTER PROFILE TAP KOLIČINA / PACKAGE QUANTITY: 25 tk / pk		PVC PVC
SC 323	PRIBOR KLIZNOG KOMARNIKA/ MOSQUITO NET KIT) KOLIČINA/PACKAGE QUANTITY: 25 tk / pk		PVC PVC
SC 325	NASLON FIKSNOG KRILA / SASH STOPPER SUPPORT KOLIČINA / PACKAGE QUANTITY: 50 ad / pk		PVC PVC
SC 330	PVC NOSAČ ČETKICE / CENTRAL CRAMP PROFILE KOLIČINA / PACKAGE QUANTITY: 75 mt / pk		PVC PVC
SC-226	PRIHVATNIK/ CRAMP CONNECTION LOCK ELEMENT KOLIČINA / PACKAGE QUANTITY: 50 ad		ALUMINIJUM ALUMINIUM
SC-271	PODRŠKA KRILNOG ADAPTERA / SASH ADAPTER PROFILE INSTALLATION SUPPORT KOLIČINA/ PACKAGE QUANTITY: 25 ad		ALUMINIJUM ALUMINIUM
SC-303	STOPER KRILA / SASH STOPPER KOLIČINA/ PACKAGE QUANTITY: 50 ad / pk		EPDM EPDM
SC-306	DONJI SUNDJER JEDNOKANALNOG ŠTOKA/ BOTTOM IMPERMEABILITY PIECES KOLIČINA / PACKAGE QUANTITY: 10 ad / pk		SÜNGER SPONGE
SC-307	GORNJI JEDNOKANALNOG ŠTOKA / TOP IMPERMEABILITY PIECES KOLIČINA / PACKAGE QUANTITY: 10 ad / pk		SÜNGER SPONGE

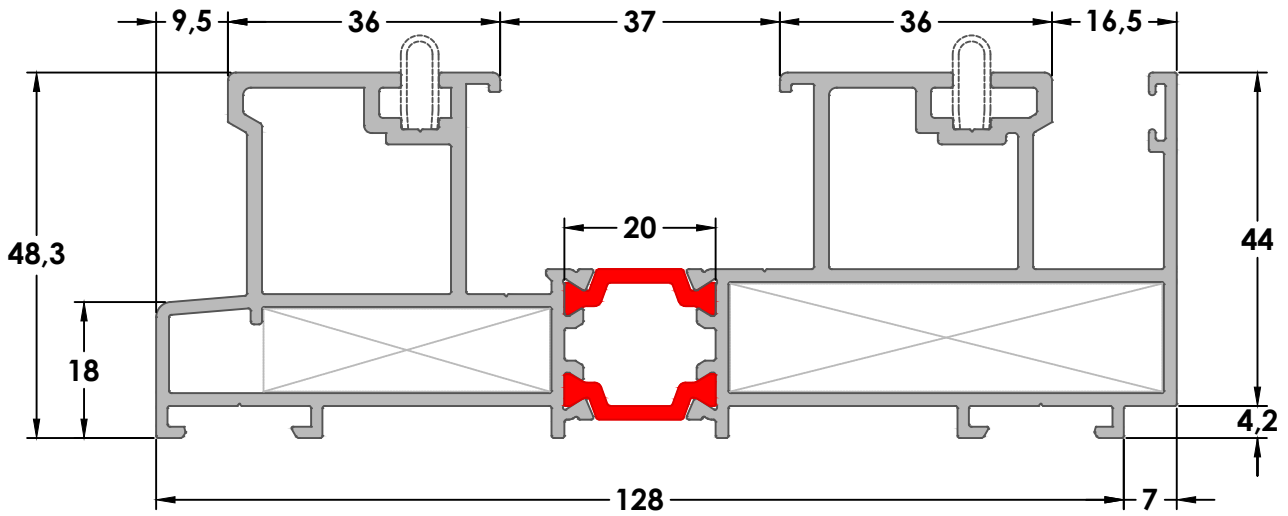
ŠIFRA ACCESSORY CODE	OPIS DESCRIPTION	CRTEŽ DRAWING	MATERIJAL MATERIAL
SC 313	DONJI SUNDJER VIŠEKANALNOG ŠTOKA / BOTTOM IMPERMEABILITY PIECES KOLIČINA / PACKAGE QUANTITY: 10 ad / pk		SUNDJER SPONGE
SC 314	GORNJI SUNDJER VIŠEKANALNOG ŠTOKA / TOP IMPERMEABILITY PIECES KOLIČINA/ PACKAGE QUANTITY: 10 ad / pk		SUNDJER SPONGE
SC 040	UGAONIK ZA KRILO/ ALUMINUM CORNER ANGLE FOR ARCHITRAVE KOLIČINA / PACKAGE QUANTITY: 500 ad / pk		ALUMINIJUM ALUMINIUM
SC 045	UGAONIK ZA KRILO/ ALUMINUM CORNER ANGLE FOR ARCHITRAVE KOLIČINA / PACKAGE QUANTITY: 500 ad / pk		ALUMINIJUM ALUMINIUM
SC 310	INOX UMETAK ŠTOKA / RAIL PROFILE KOLIČINA /PACKAGE QUANTITY: 30 mt / pk (3 mt x 10 ad)		ALUMINIJUM ALUMINIUM

ŠIFRA ACCESSORY CODE	OPIS DESCRIPTION	CRTEŽ DRAWING	MATERIJAL MATERIAL
SC 003	ALUMINIJUMSKA UGAONA SPOJNICA / 13,2 mm L: 18,8 mm ALUMINIUM CORNER CLEAT KOLIČINA / PACKAGE QUANTITY: 50 ad.		ALUMINIJUM ALUMINIUM
SC 024	ALUMINIJUMSKA UGAONA SPOJNICA / 13,2 mm L: 29,6 mm ALUMINIUM CORNER CLEAT KOLIČINA / PACKAGE QUANTITY: 50 ad.		
SC 025	ALUMINIJUMSKA UGAONA SPOJNICA / 13,2 mm L: 37,8 mm ALUMINIUM CORNER CLEAT KOLIČINA / PACKAGE QUANTITY: 50 ad.		
SC 276	ALUMINIJUMSKA UGAONA SPOJNICA / 14,3 mm L: 57,2 mm ALUMINIUM CORNER CLEAT KOLIČINA / PACKAGE QUANTITY: 50 ad.		ALUMINIJUM ALUMINIUM
SC 277	ALUMINIJUMSKA UGAONA SPOJNICA / 27 mm L: 4,5 mm ALUMINIUM CORNER CLEAT KOLIČINA / PACKAGE QUANTITY: 50 ad.		ALUMINIJUM ALUMINIUM

ŠIFRA ACCESSORY CODE	OPIS DESCRIPTION	CRTEŽ DRAWING	MATERIJAL MATERIAL
SC 278	ALUMINIJUMSKA UGAONA SPOJNICA / 11 mm L: 37,9 mm ALUMINIUM CORNER CLEAT KOLIČINA / PACKAGE QUANTITY: 50 ad.		ALUMINIJUM ALUMINIUM
SC 279	ALUMINIJUMSKA UGAONA SPOJNICA / 29,3 mm L: 4,5 mm ALUMINIUM CORNER CLEAT KOLIČINA / PACKAGE QUANTITY: 50 ad.		ALUMINIJUM ALUMINIUM
SC-032	SPOJNICA T PREČKE / T CONNECTING BRACKET FOR MULLION KOLIČINA / PACKAGE QUANTITY: 50 ad.: 39,2 mm		ALUMINIJUM ALUMINIUM

**SSI 128 PODIZNO KLIZNI
PROFILI**

SSI 128 SERIES PROFILES



9201-9202

JX
(cm⁴)
141,39

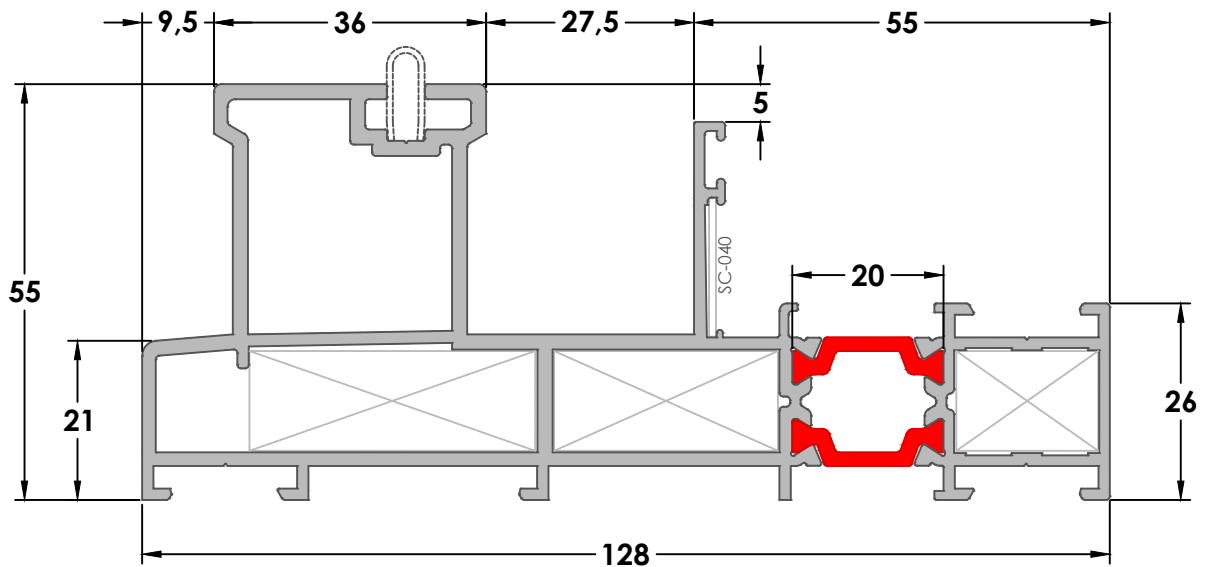
y
x

JY
(cm⁴)
25,72

Težina / WEIGHT
(KG/M)
2,990

ugaone spojnice
CORNER CLEATS

KLIN
SC 278 / SC 276



9200-9001

JX
(cm⁴)
96,51

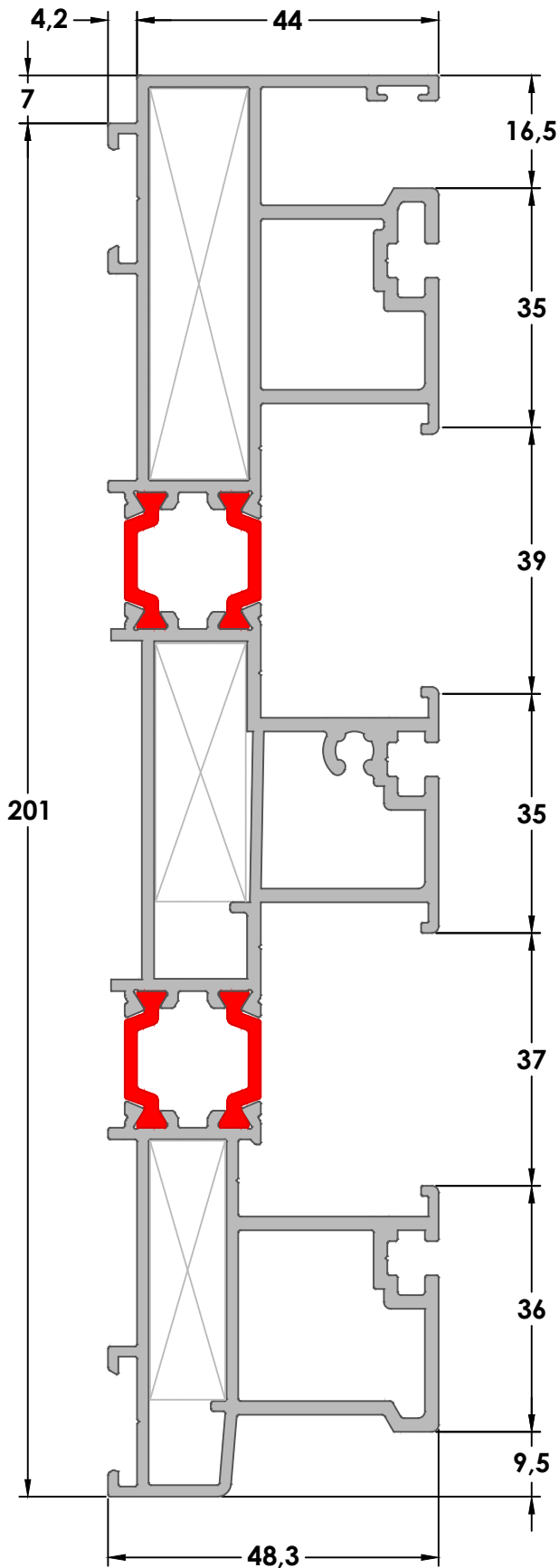
y
x

JY
(cm⁴)
24,43

Težina / WEIGHT
(KG/M)
2,620

ugaone spojnice
CORNER CLEATS

KLIN
SC 025 / SC 024 / SC 003



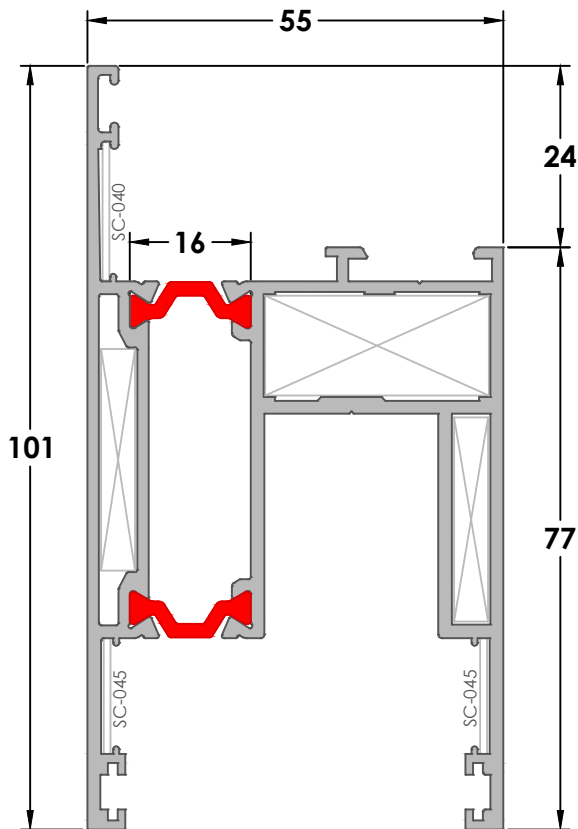
9202-9212-9201

JX (cm ⁴) 636,45	$\begin{matrix} y \\ x \end{matrix}$	JY (cm ⁴) 36,87
-------------------------------------------	--------------------------------------	------------------------------------------

Težina / WEIGHT
(KG/M)
4,530

ugaone spojnice
CORNER CLEATS

KLIN
SC 278 / SC 025 / SC 276



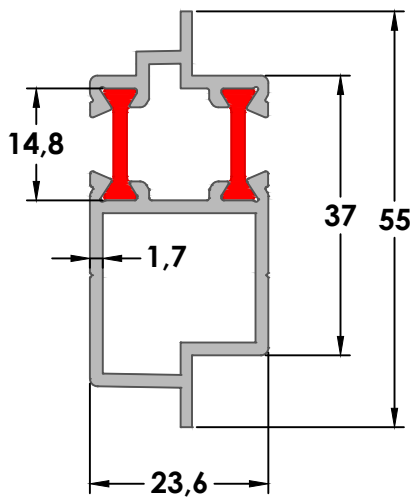
9204-9205

JX (cm ⁴) 24,64		JY (cm ⁴) 39,79
------------------------------------------	--	------------------------------------------

Težina / WEIGHT
(KG/M)
2,075

ugaone spojnice
CORNER CLEATS

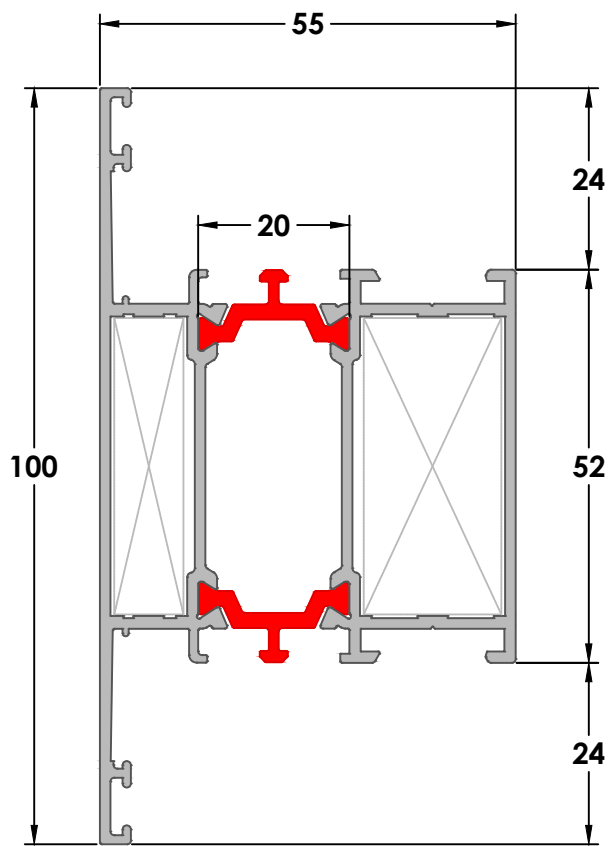
KLIN
SC 279 / SC 024 / SC 277



9207-9208

JX (cm ⁴) 4,57		JY (cm ⁴) 1,74
-----------------------------------------	--	-----------------------------------------

Težina / WEIGHT
(KG/M)
0,820



9009-9010

JX
(cm⁴)
20,94

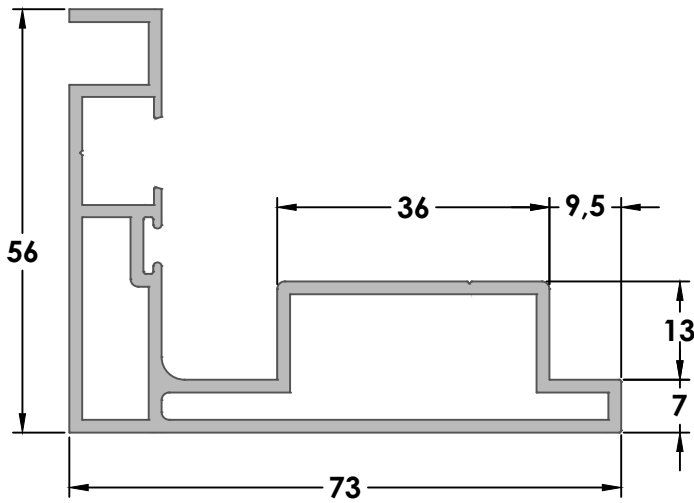


JY
(cm⁴)
21,58

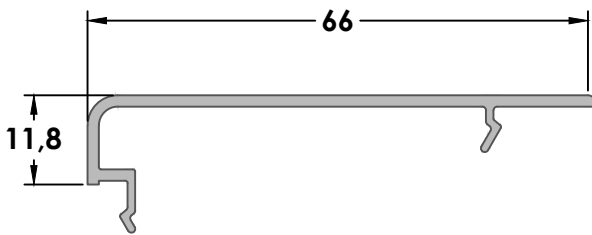
Težina / WEIGHT
(KG/M)
1,650

T profil
T CONNECTION

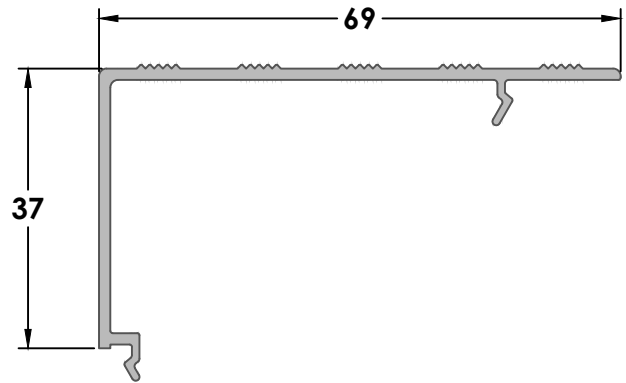
SC 032
(9090-9089)



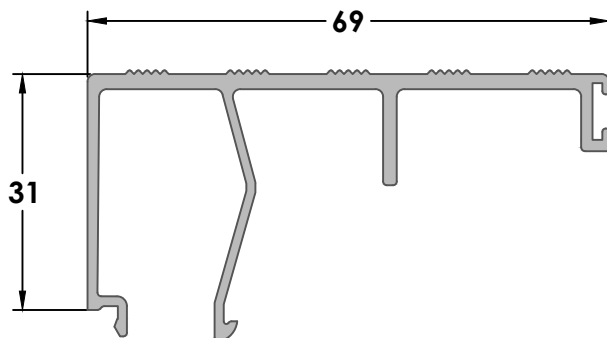
10593		
JX (cm ⁴) 25,70		JY (cm ⁴) 12,38
Težina / WEIGHT (KG/M) 1,310		



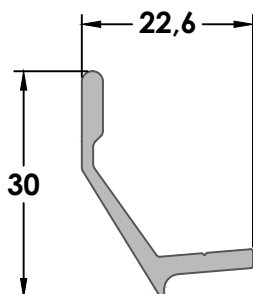
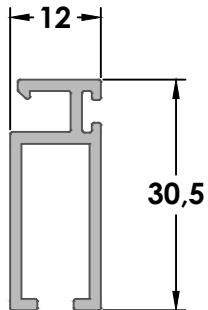
10591		
JX (cm ⁴) 6,29		JY (cm ⁴) 0,24
Težina / WEIGHT (KG/M) 0,375		

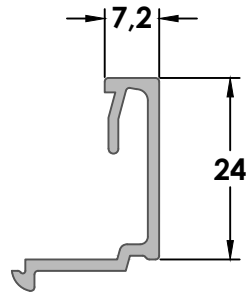


10592		
JX (cm ⁴) 9,55		JY (cm ⁴) 2,80
Težina / WEIGHT (KG/M) 0,505		



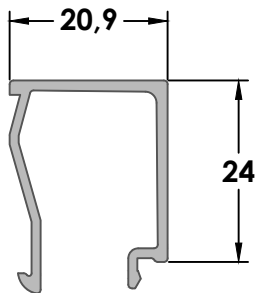
9206		
JX (cm ⁴) 13,22		JY (cm ⁴) 2,97
Težina / WEIGHT (KG/M) 0,770		

**10594****Težina / WEIGHT**
(KG/M.)
0,280**10595****Težina / WEIGHT**
(KG/M.)
0,335



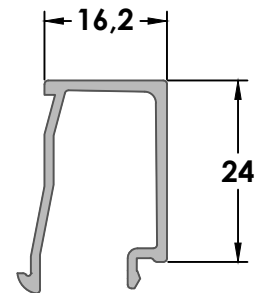
9063

Težina / WEIGHT
(KG/M.)
0,250



9074

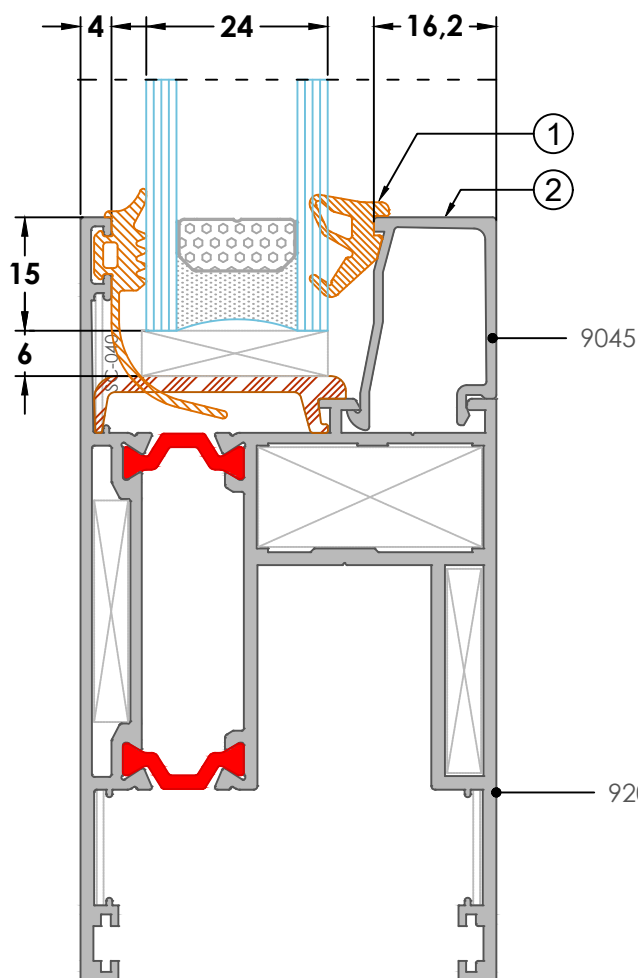
Težina / WEIGHT
(KG/M.)
0,300



9045

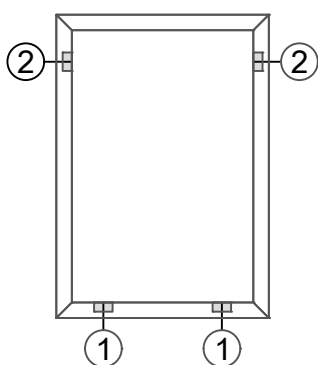
Težina / WEIGHT
(KG/M.)
0,280

- OPREMA ZA STAKLENJE I OPCIJE







Podaci o dihtunzima u tabeli su teoretski

STAKLO mm	EPDM DIHT GUMA		LAJSNA	
	A:mm	KOD	B:mm	KOD
20	6	SC 284	21	9074
22	8	SC 282	16,2	9045
24	6	SC 284	16,2	9045
30	8	SC 282	7,2	9063
32	6	SC 284	7,2	9063
34	4	SC 229	7,2	9063



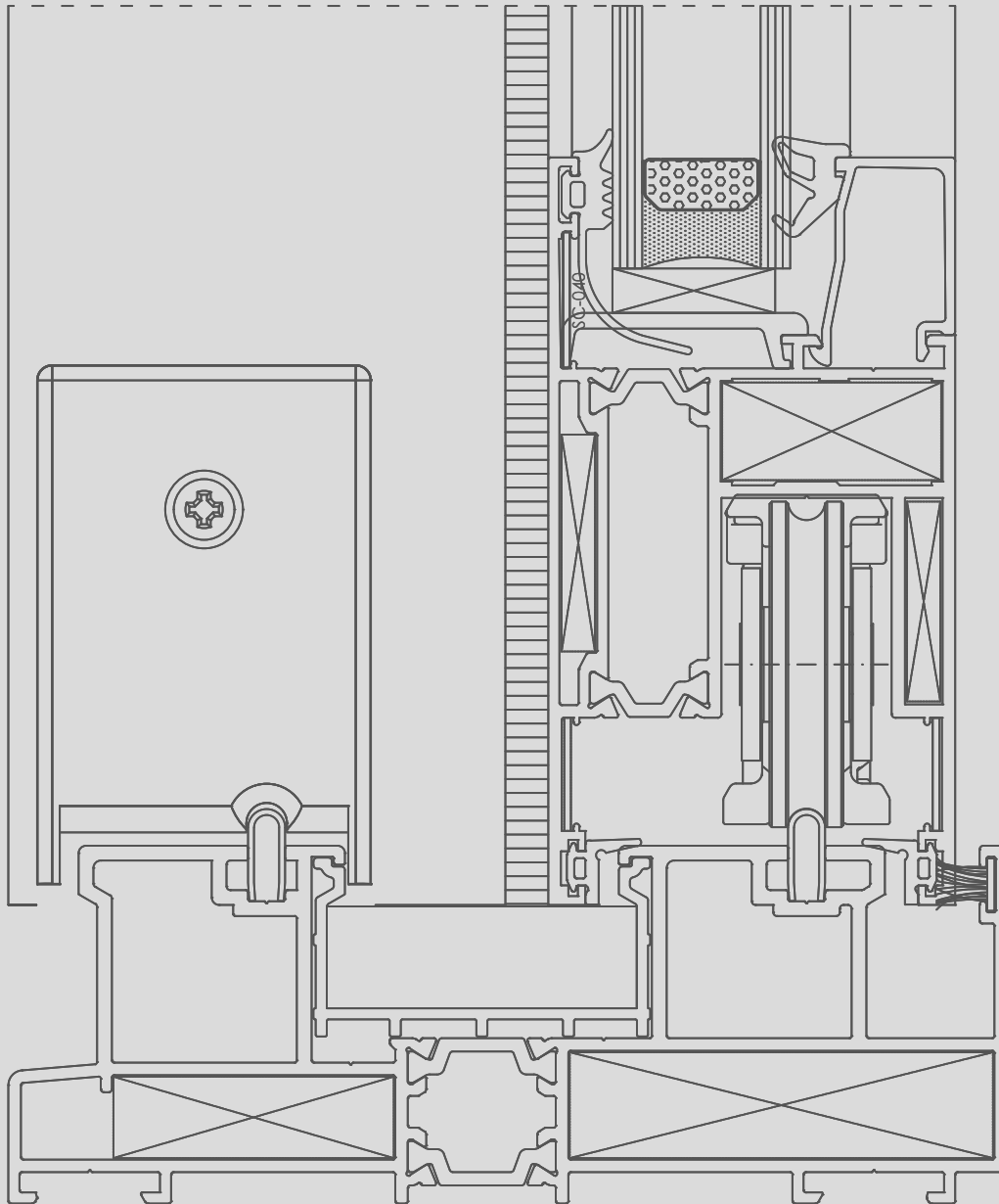
- UPUTSTVO ZA KAJLOVANJE STAKLA
- Naslon stakla
- Kajla stakla

4-5mm	8-9mm	8-9mm	SPOLJNI DIHTUNG
			
SC 229	SC 282	SC 284	SC 103-1

Postavljanje staklenih klinova prikazano je na dijagramu iznad. Udaljenost klinova prema strani treba da bude 5/1 ili 10/1 dimenzije krila.

PODEŠAVANJE RASTOJANJA-kližač za podešavanje rastojanja omogućava staklu da ostane stabilno u pravom položaju u aluminijumskom okviru. Postaviti klinove između stakla i profila bez prisiljavanja. Klinovi moraju biti izrađeni od drveta ili plastike. Tvrdoća staklopaketa treba da bude 70-75 šora.

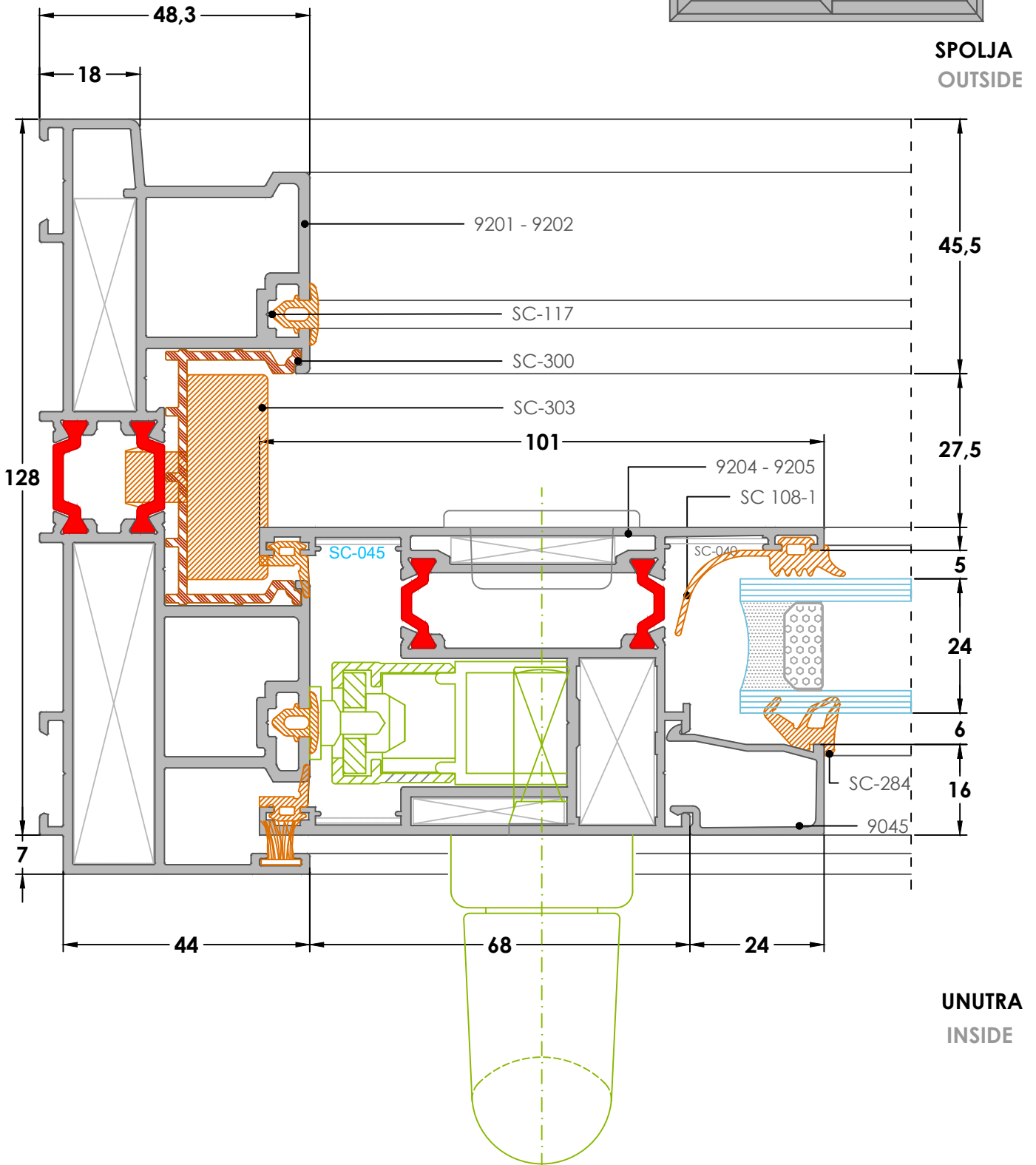
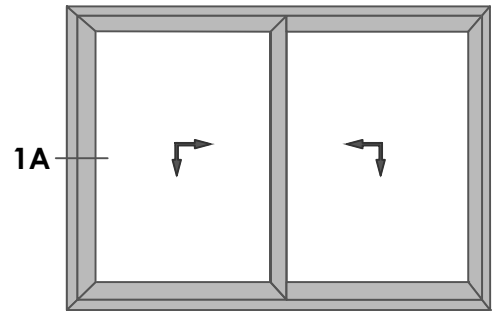
Otpornost na podešavanje rastojanja između stakla i profila bi trebalo da bude 50-60 šora. Minimalna dužina klina bi trebala da bude 5cm, širina krila mora da bude veća od paketa stakla, debljina klina po standardu.



**SSI 128 PODIZNO KLIZNI
DVE ŠINE - PRESECI**

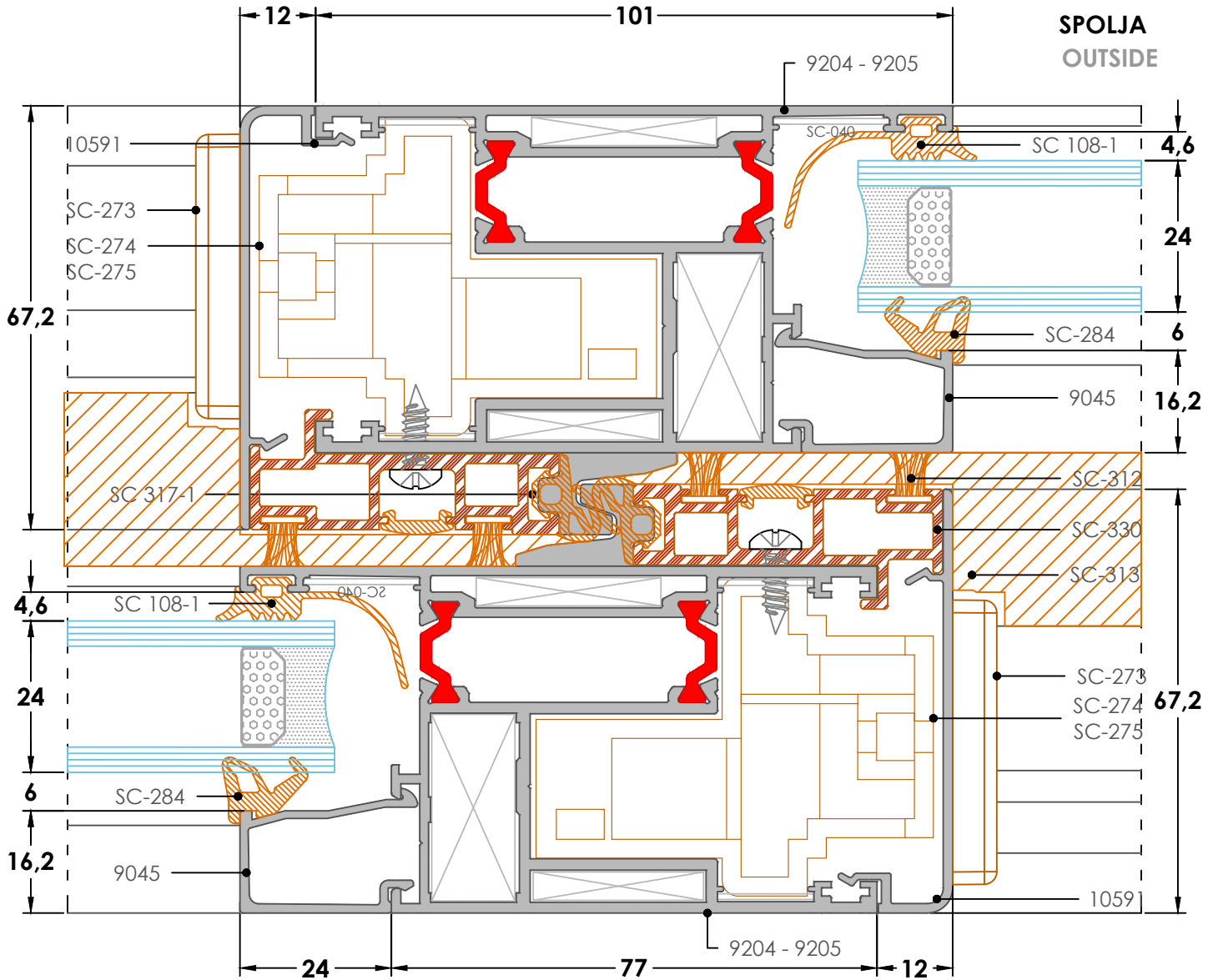
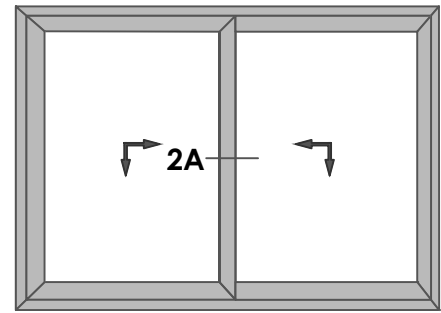
SSI 128 SERIES DETAILS

1A
Detalji-Detail



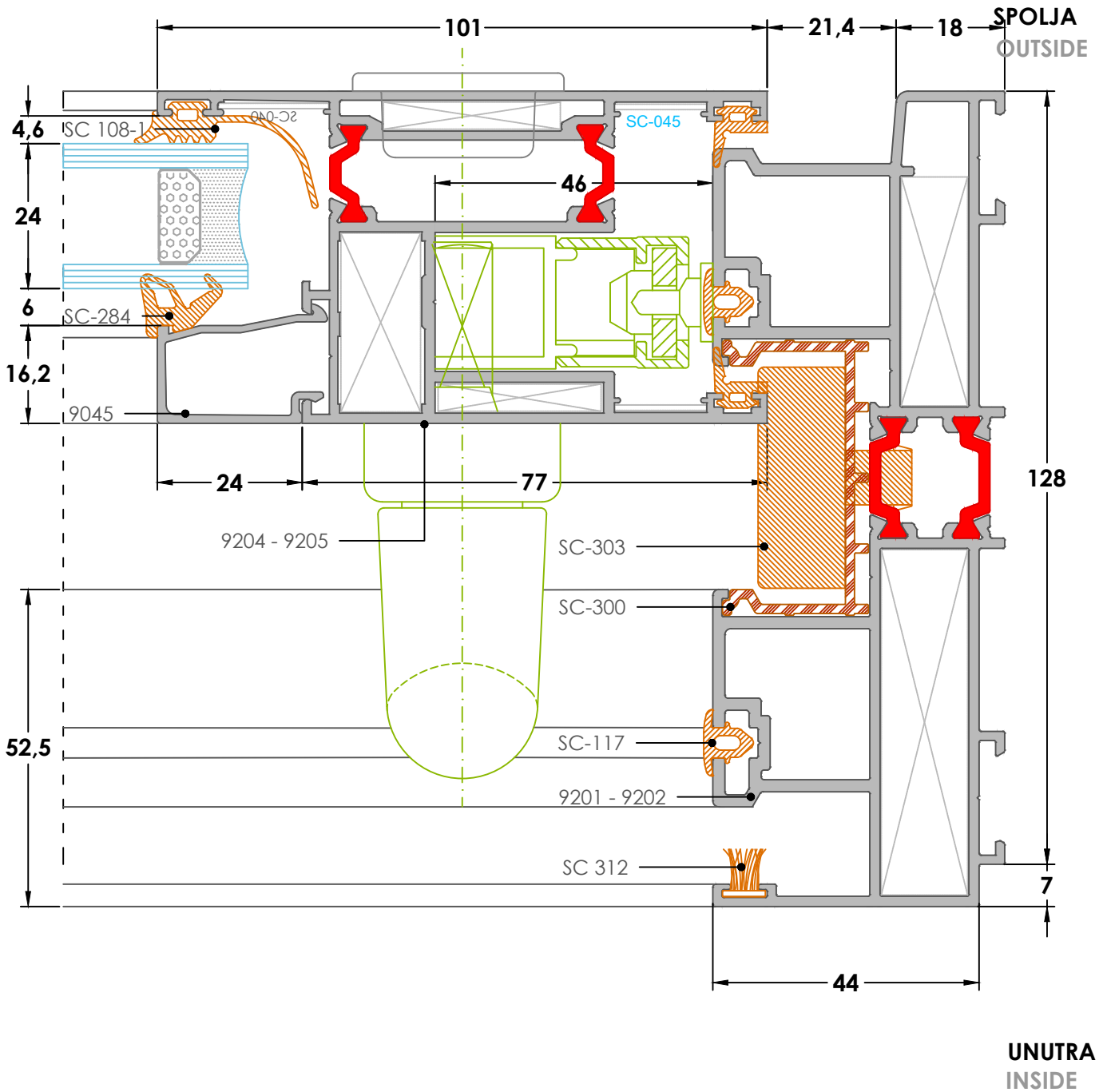
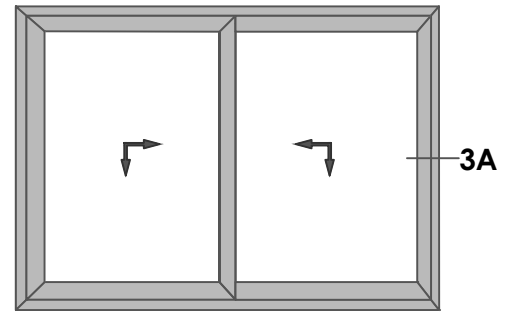
KOLIČINA porudžbine je minimalno 300 kg. / Minimum order quantity 300 kg
Težine su teoretske I svi profili se mere u trenutku isporuke. / Warning: The weights of profile is theoretical, weighting at the time of delivery are valid

2A
Detalji-Detail

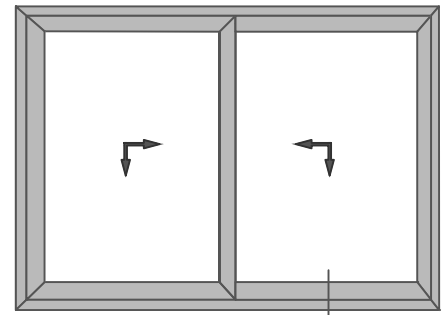


UNUTRA
INSIDE

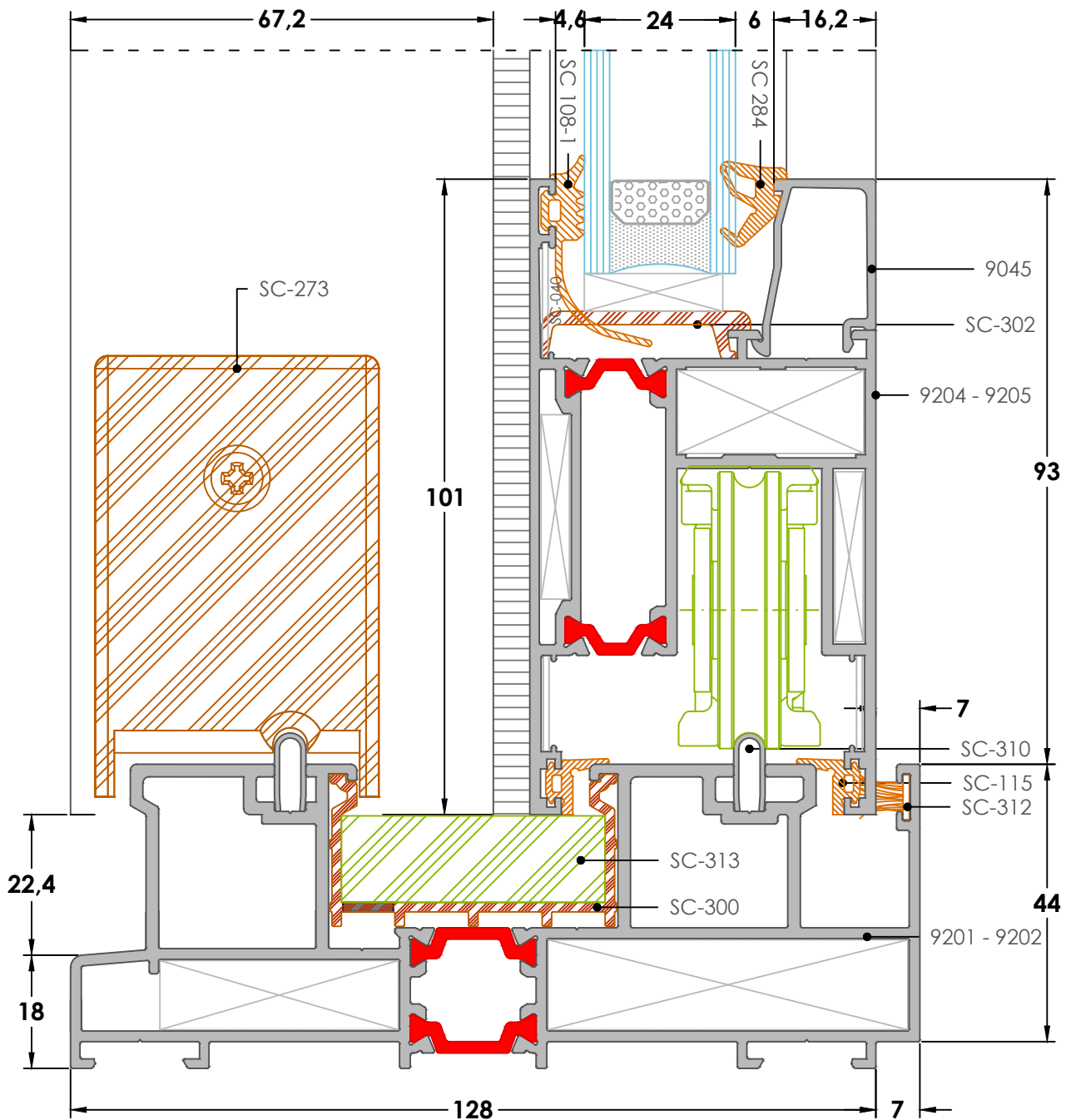
3A
Detalji-Detail



4A
Detalji-Detail



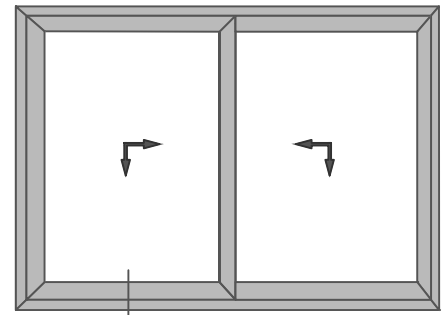
4A



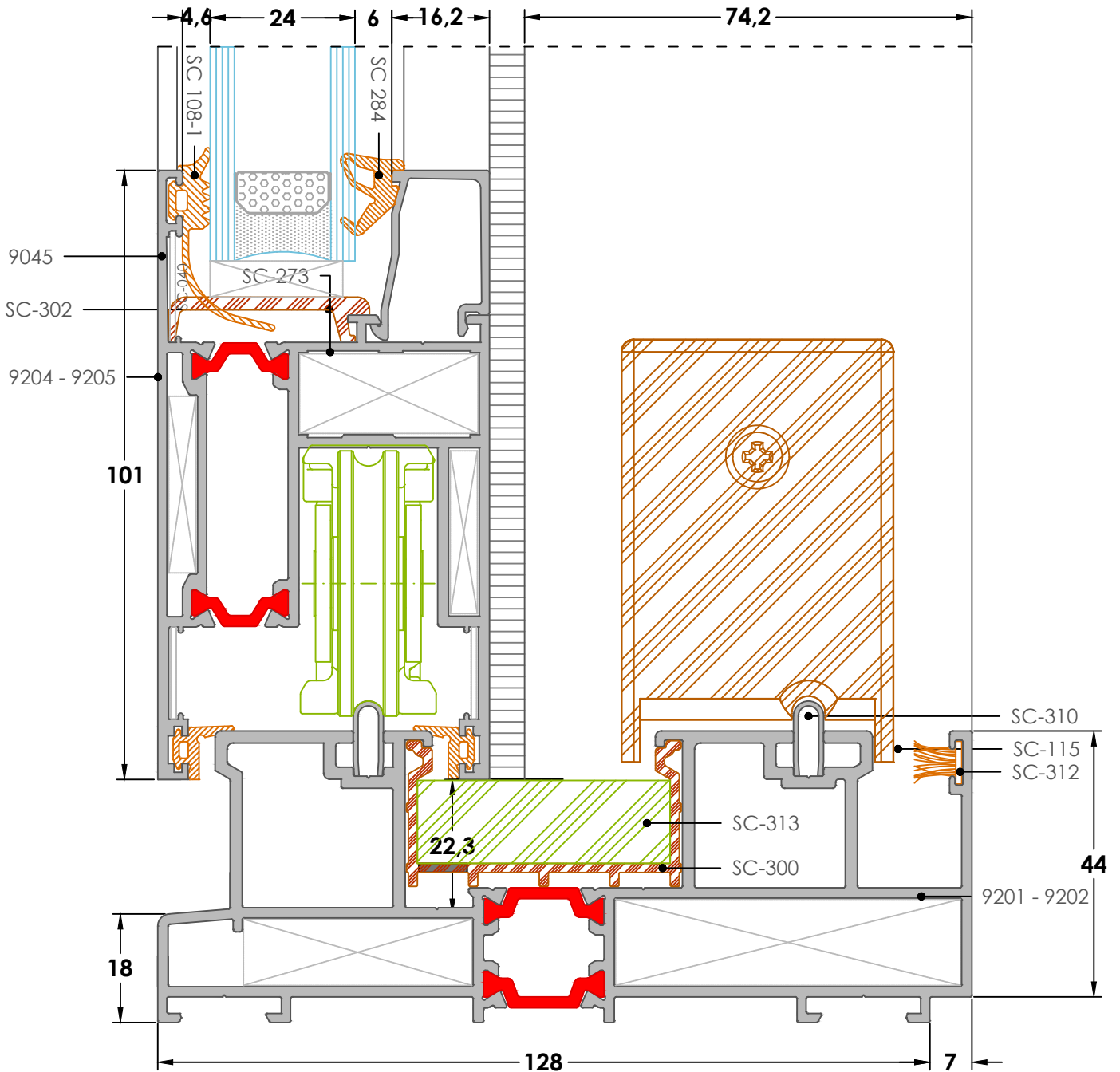
SPOLJA
OUTSIDE

UNUTRA
INSIDE

5A
Detalji-Detail



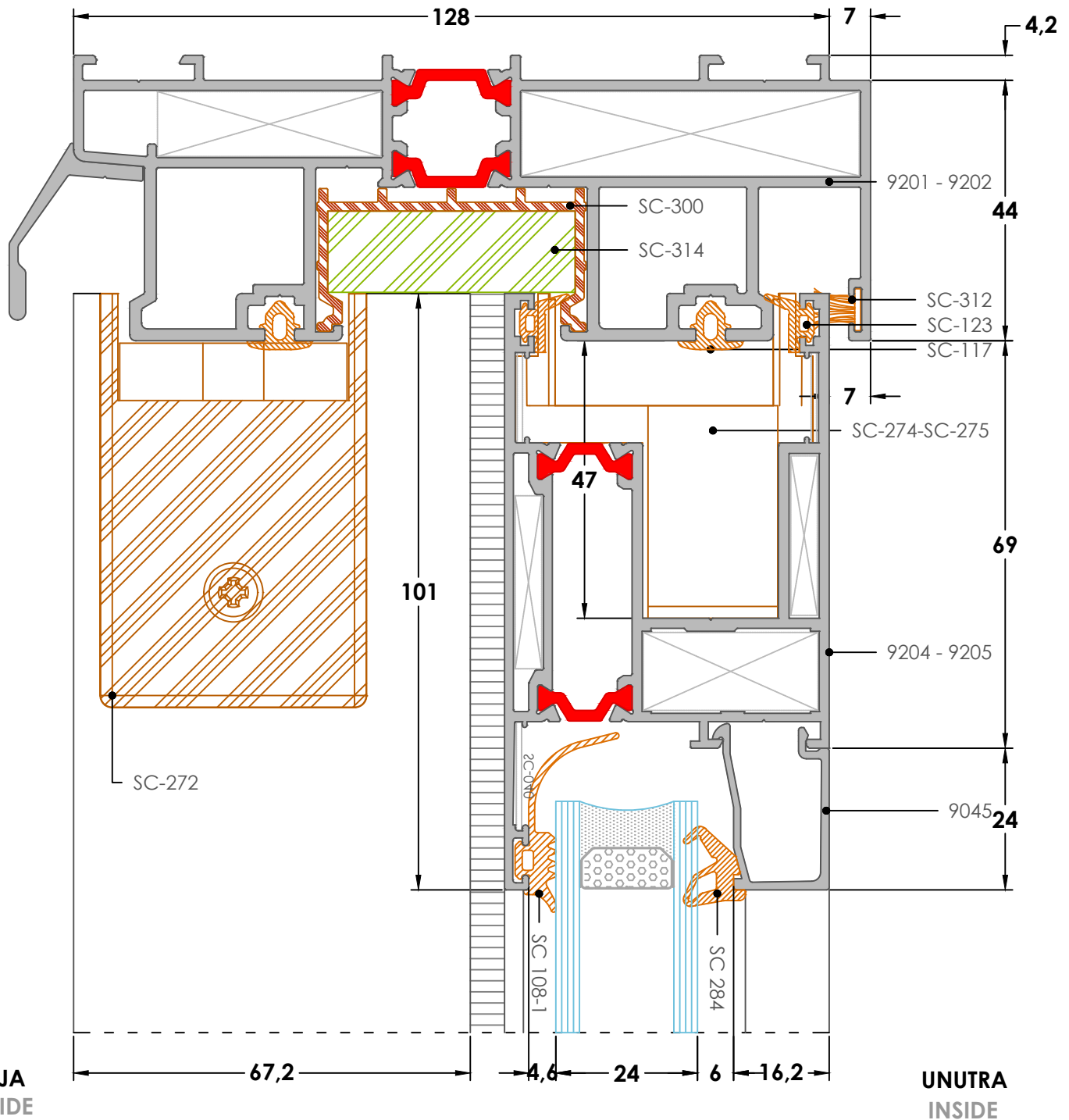
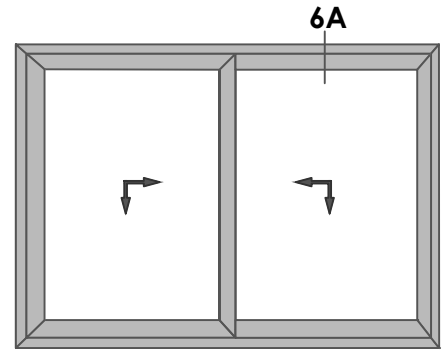
5A



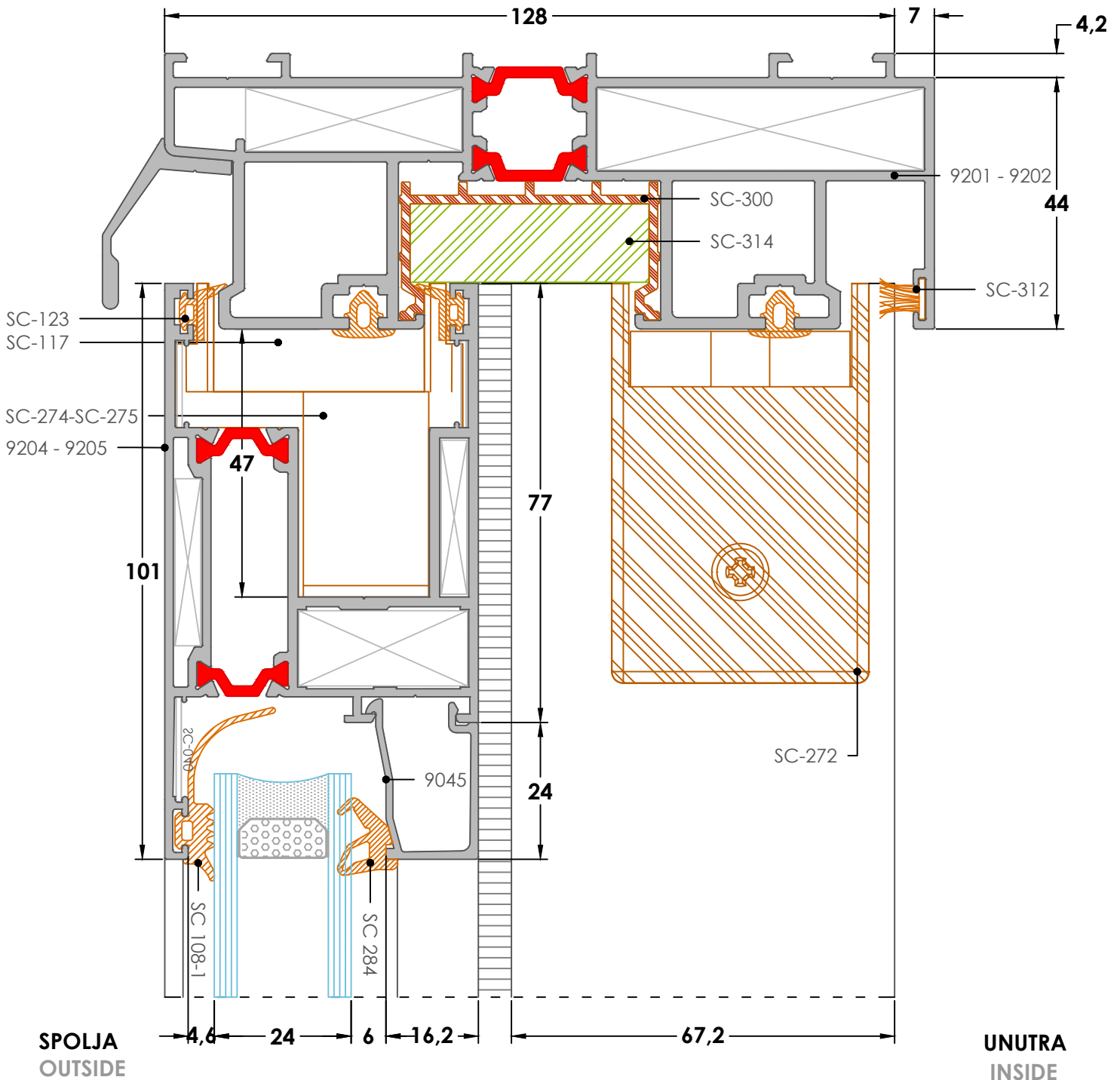
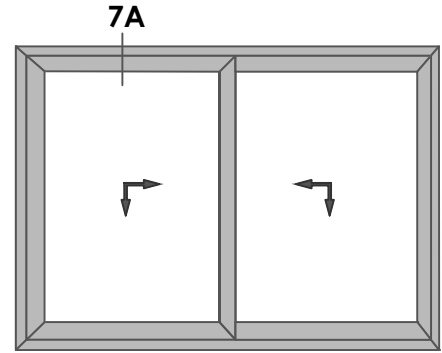
SPOLJA
OUTSIDE

UNUTRA
INSIDE

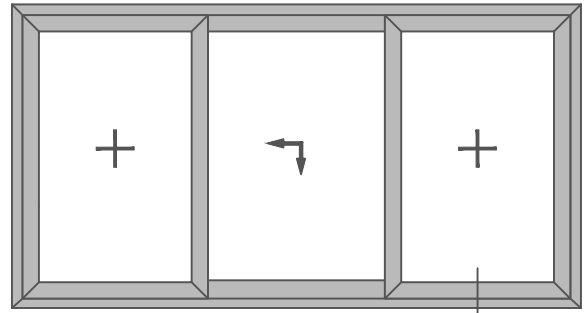
6A
Detalji-Detail



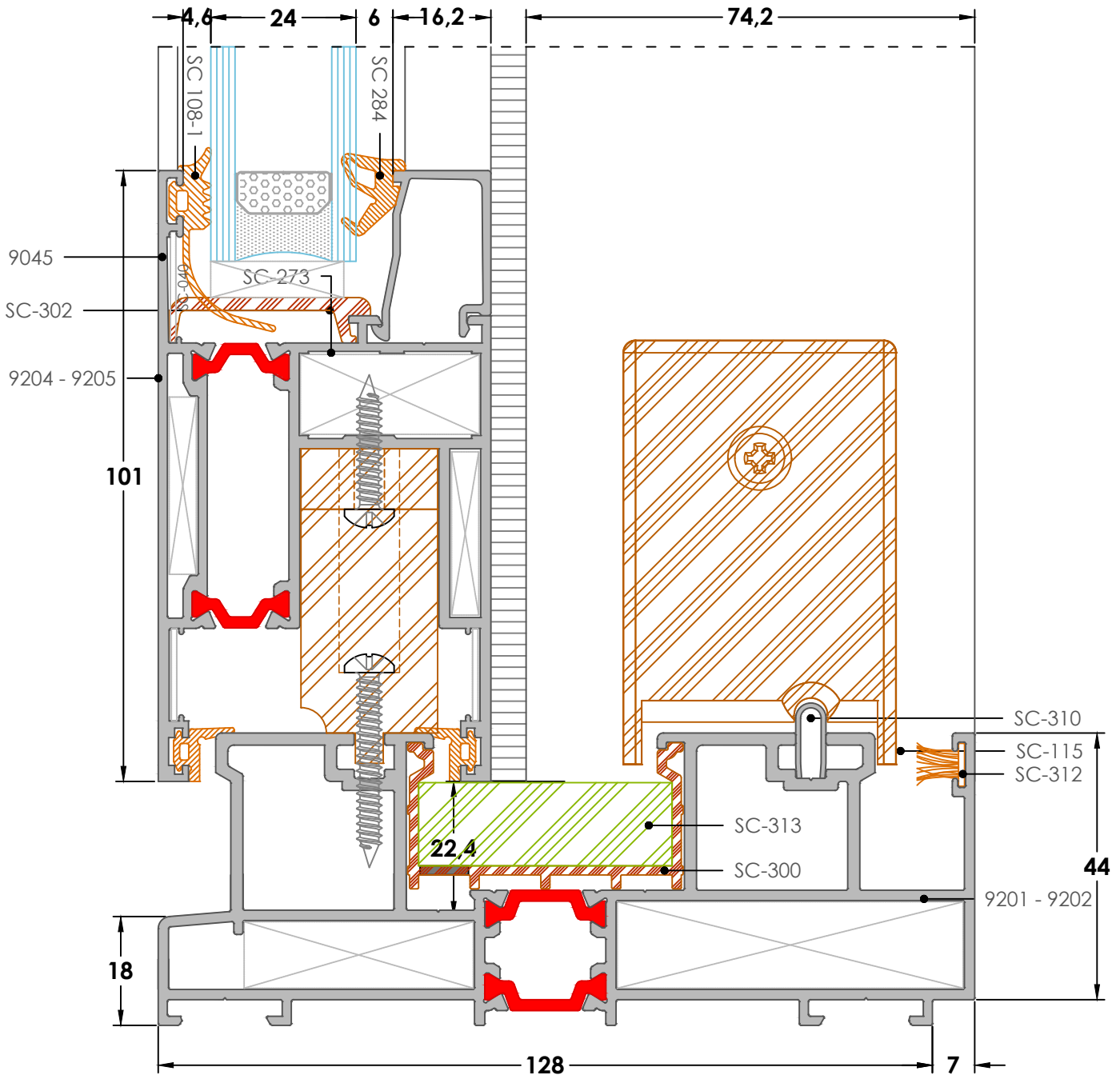
7A
Detalji-Detail



8A
Detalji-Detail



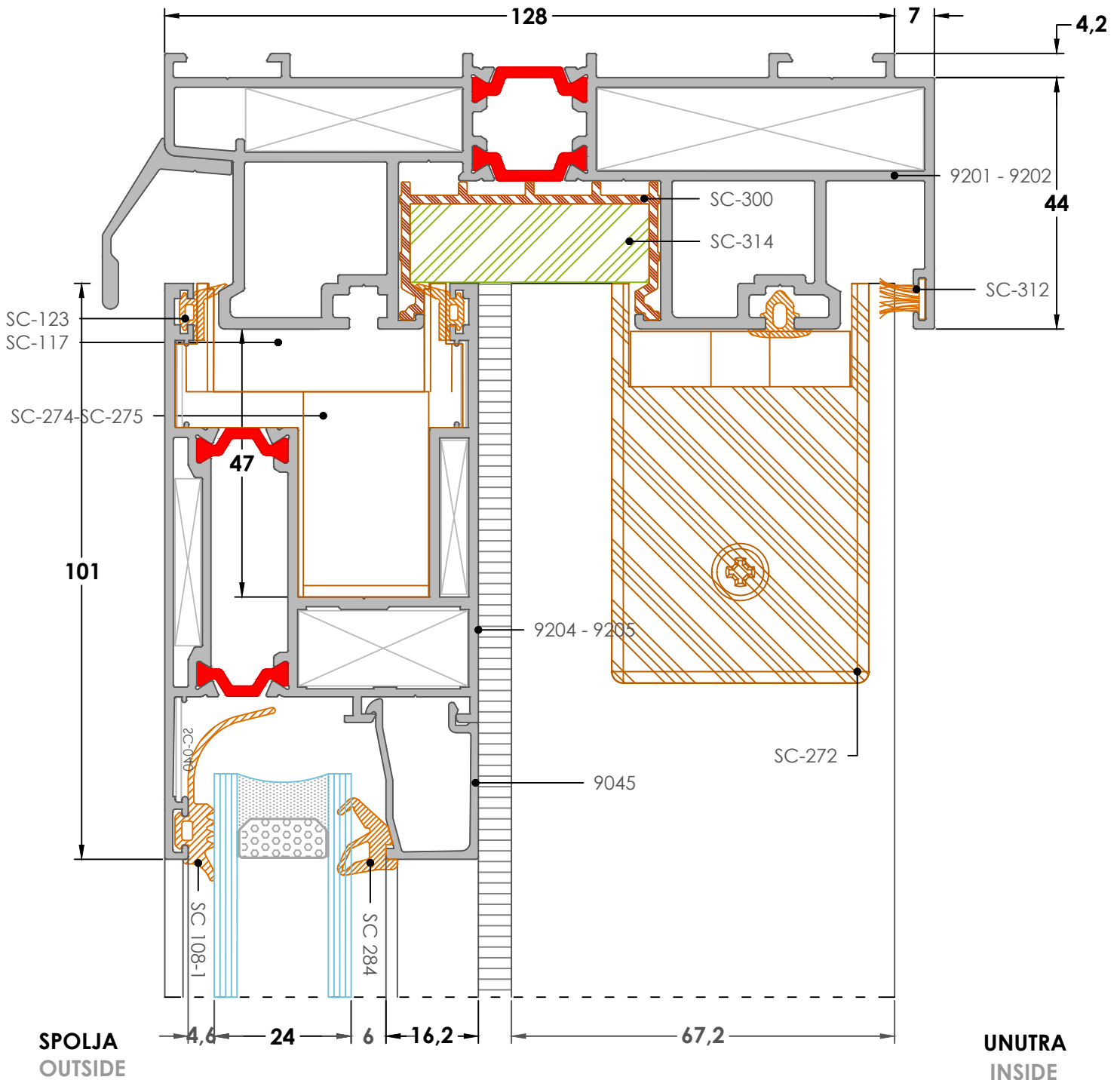
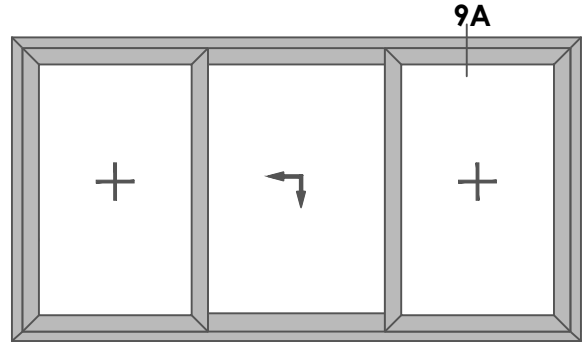
8A



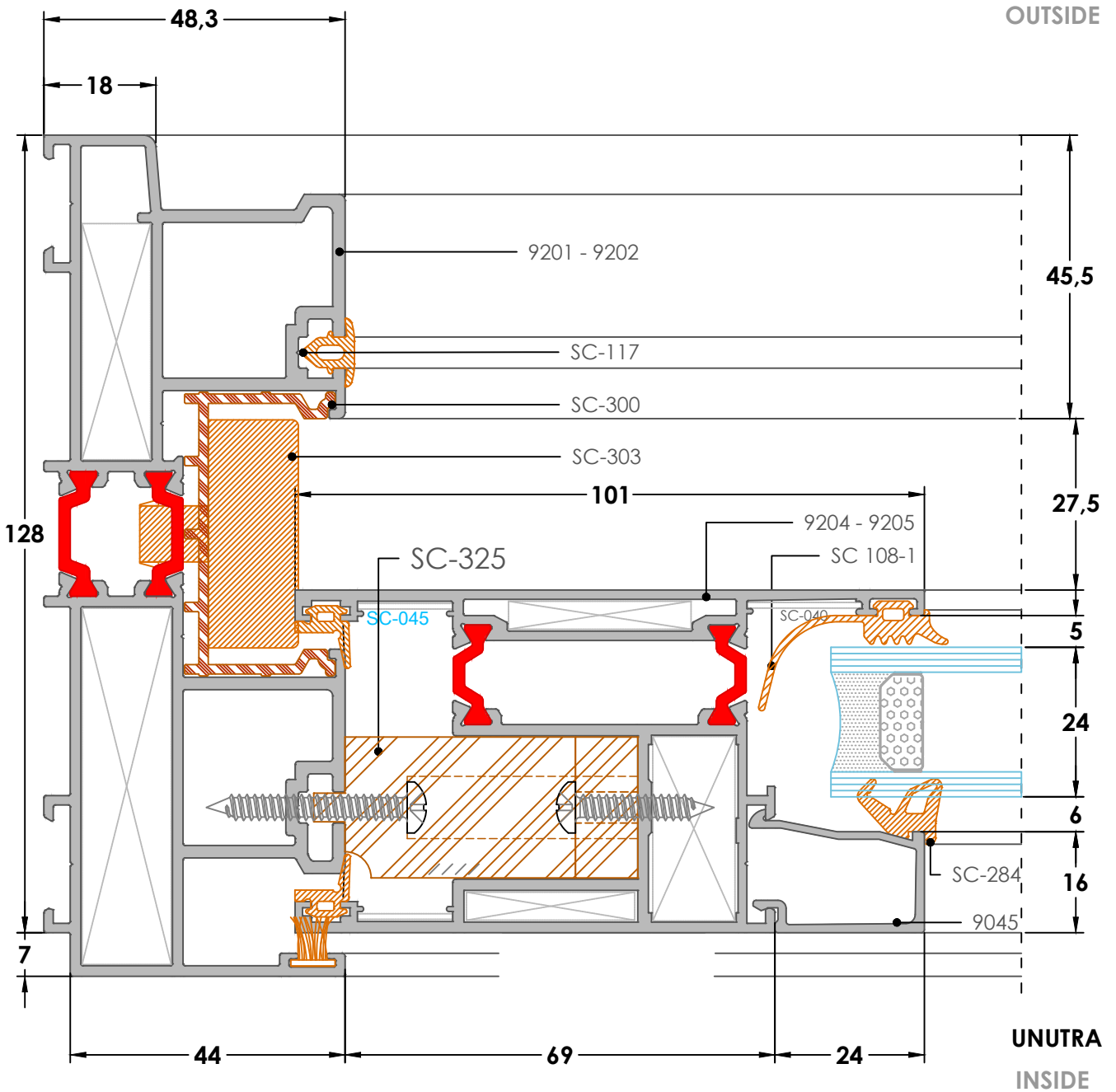
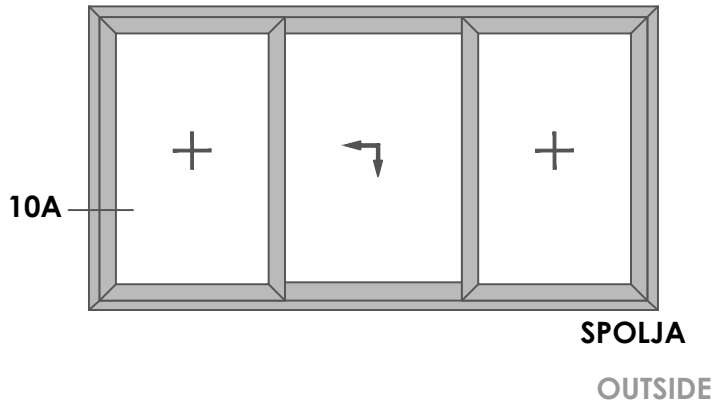
SPOLJA
OUTSIDE

UNUTRA
INSIDE

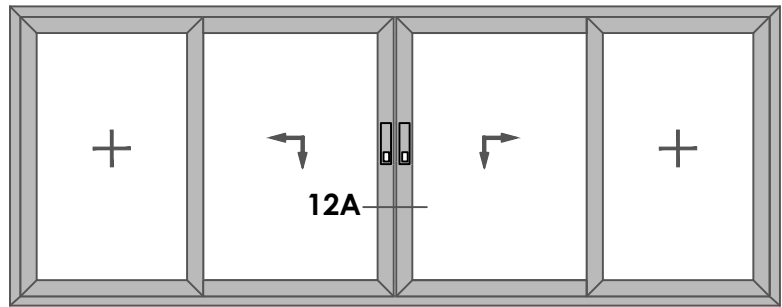
9A
Detalji-Detail



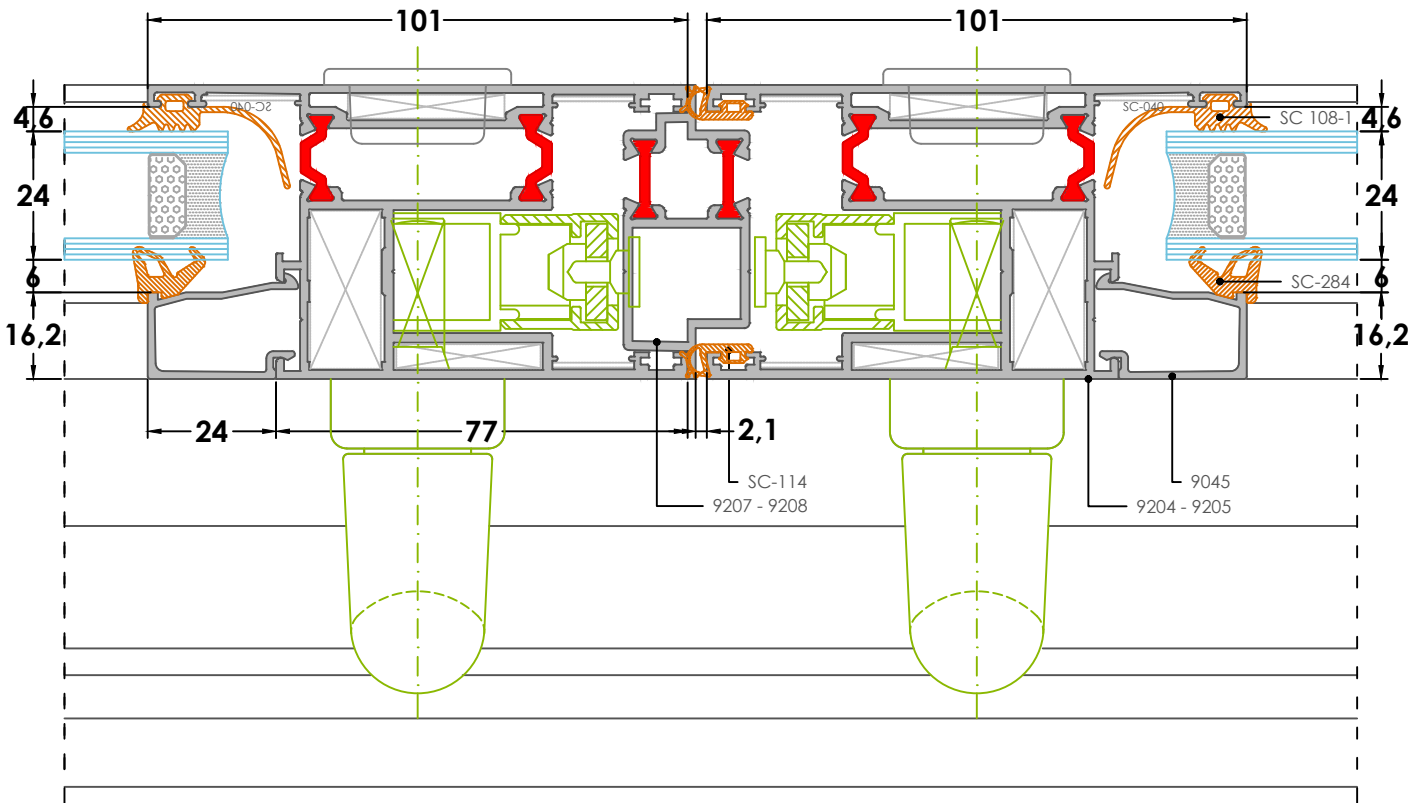
10A
Detalji-Detail



12A
Detalji-Detail

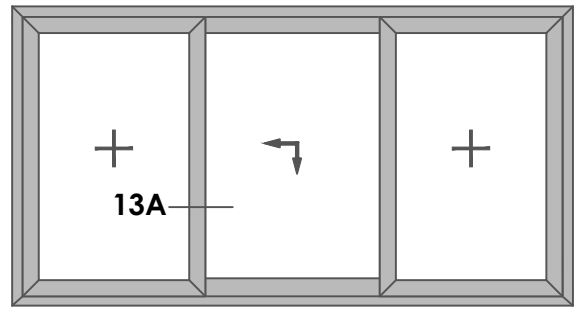


SPOLJA
OUTSIDE

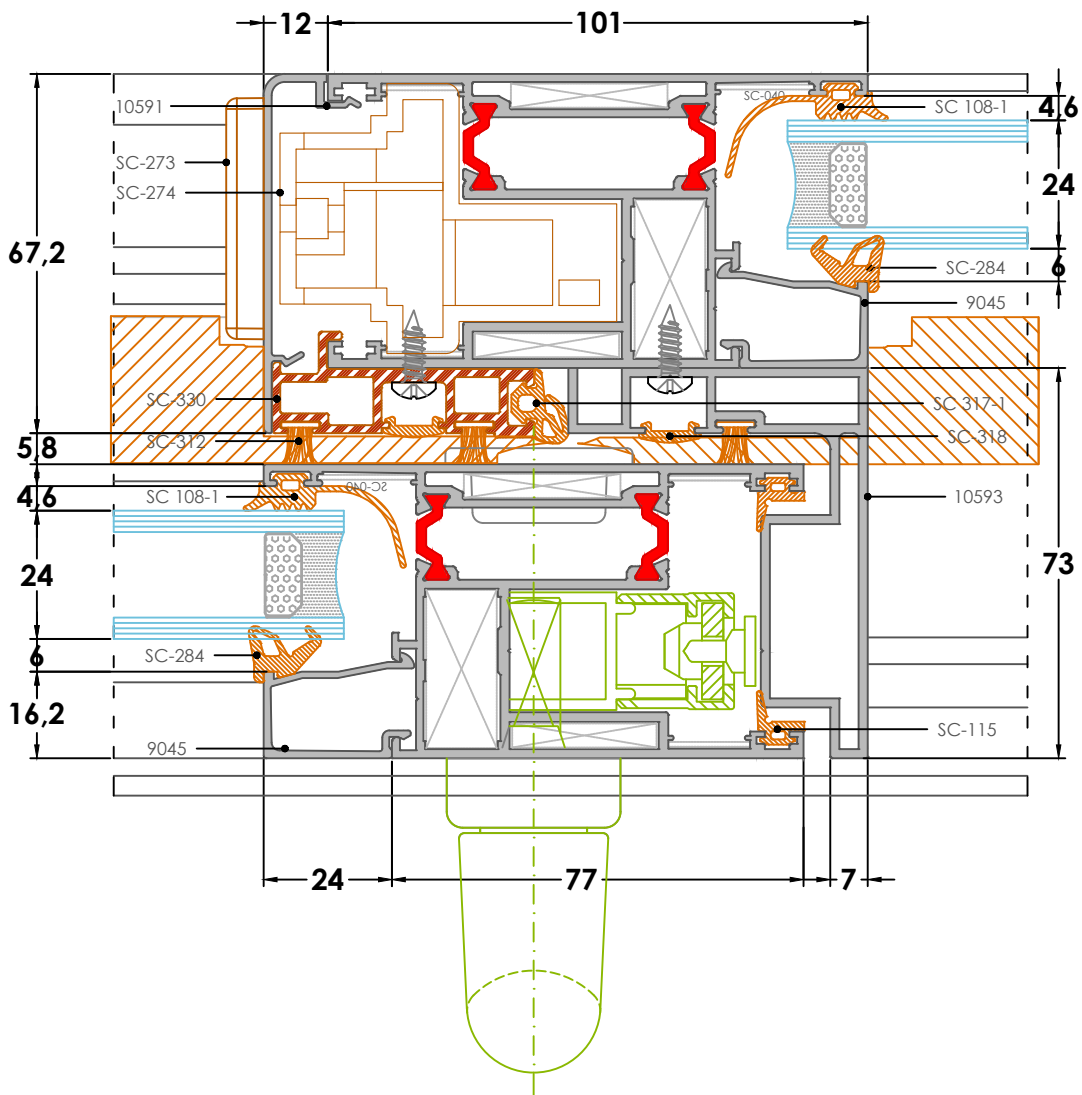


UNUTRA
INSIDE

13A
Detalji-Detail

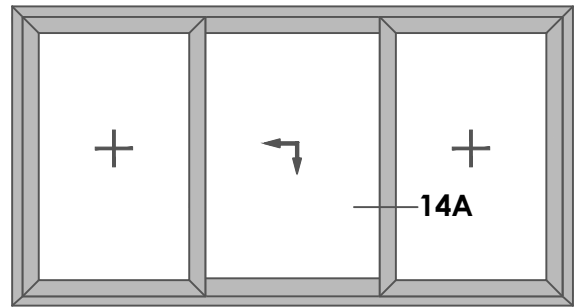


SPOLJA
OUTSIDE

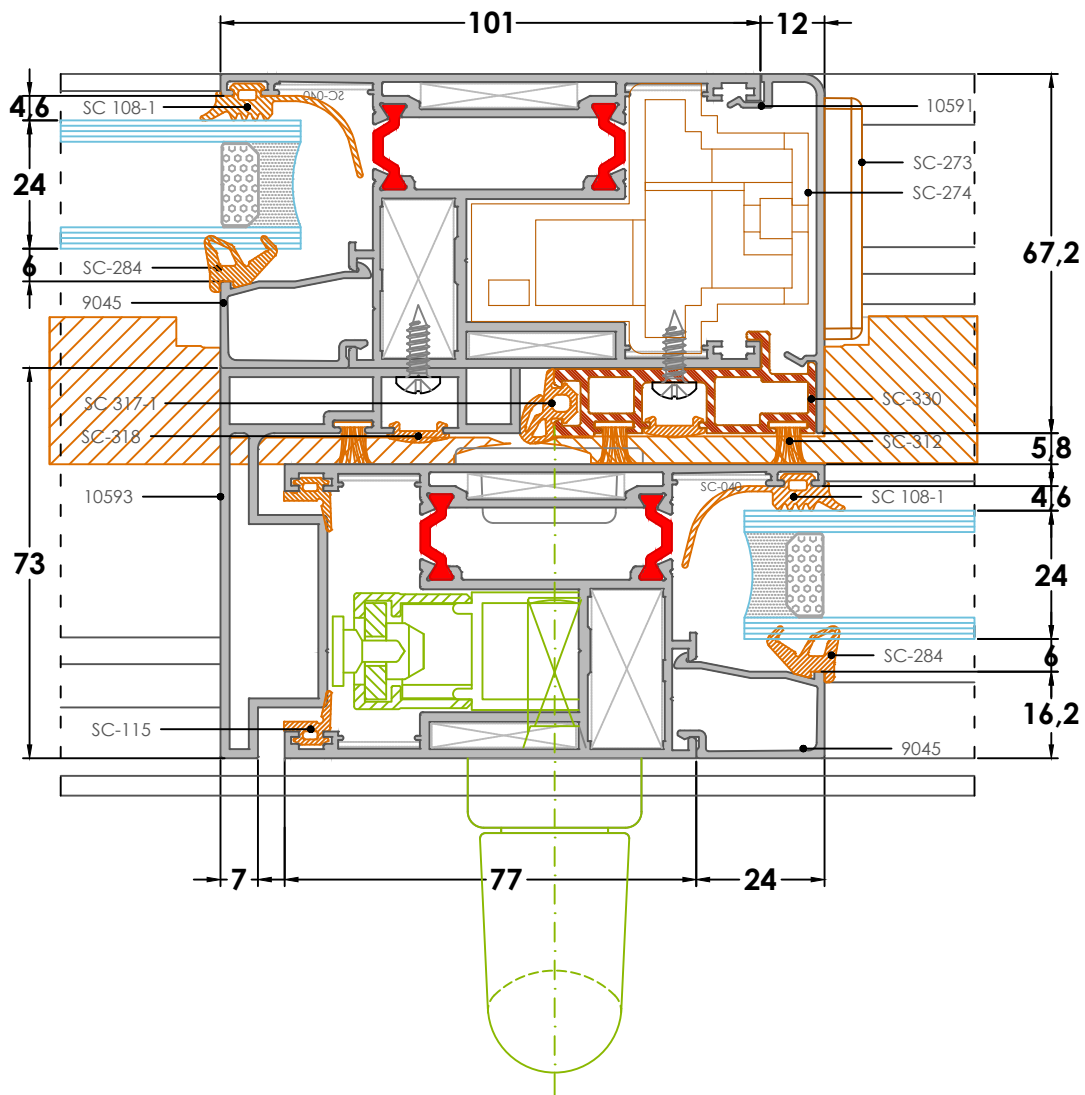


UNUTRA
INSIDE

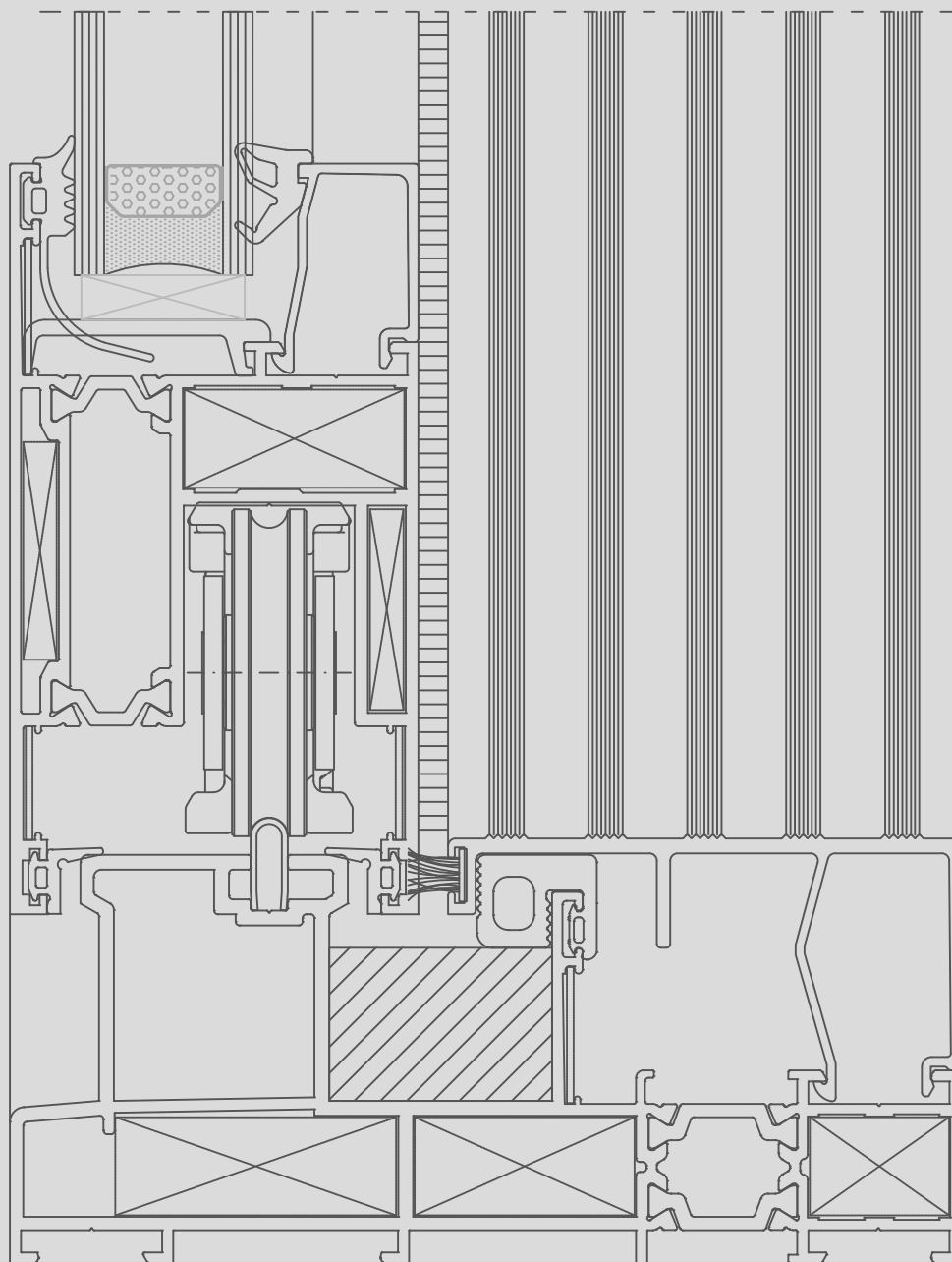
14A
Detalji-Detail



SPOLJA
OUTSIDE

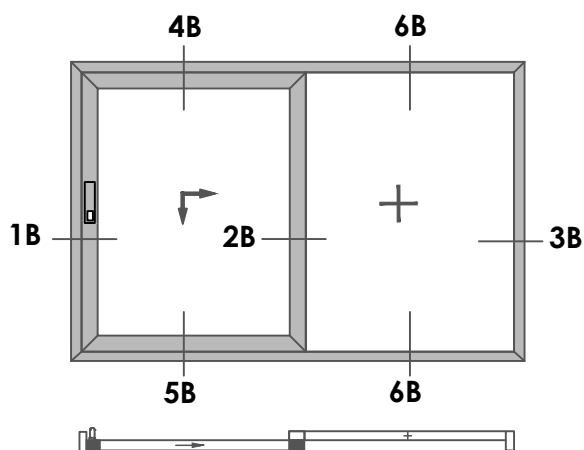
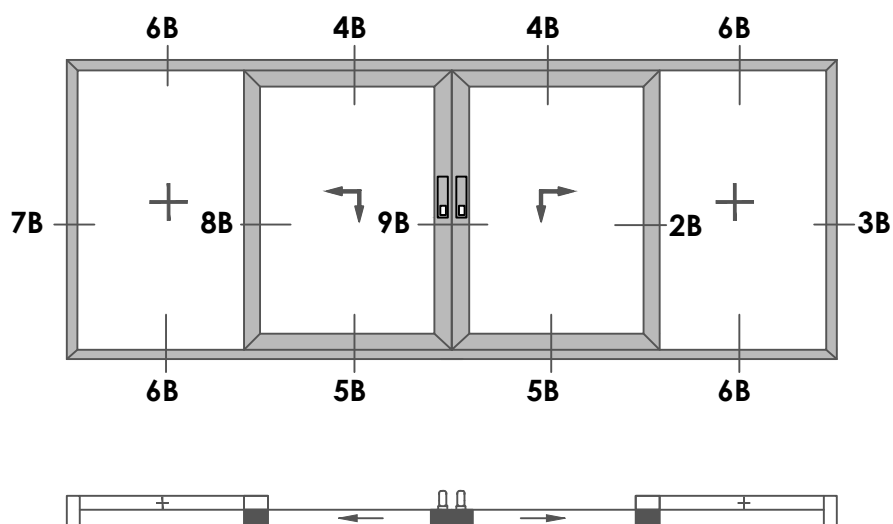


UNUTRA
INSIDE

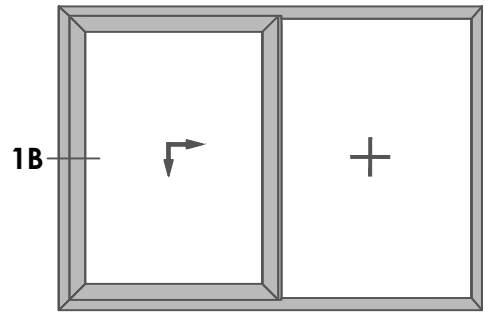


**SSI 128 PODIZNO KLIZNI
JEDNA ŠINA - PRESECI**

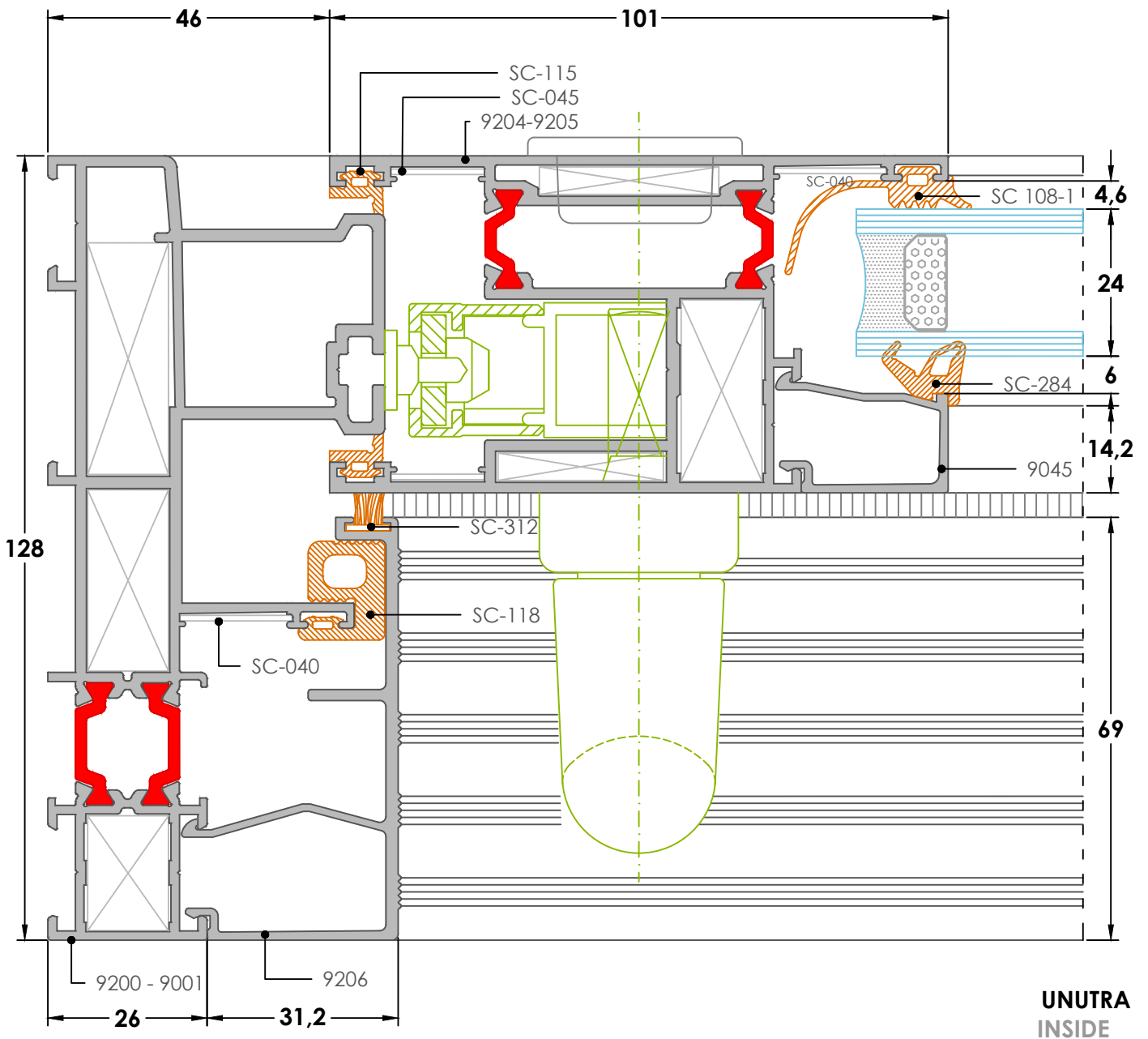
SSI 128 SERIES DETAILS



1B
Detalji-Detail

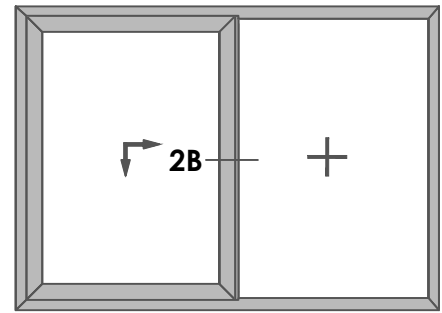


SPOLJA
OUTSIDE

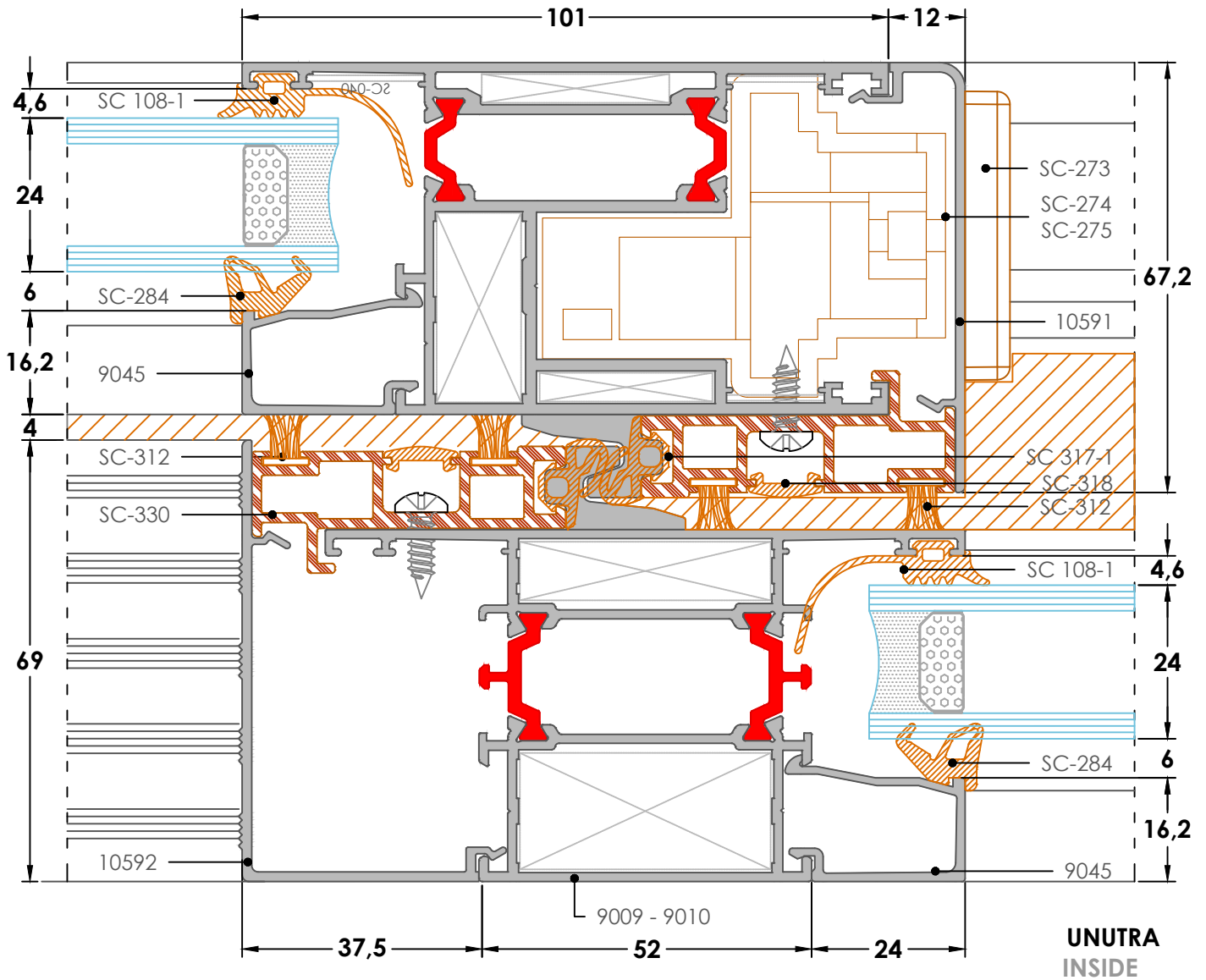


UNUTRA
INSIDE

2B
Detalji-Detail

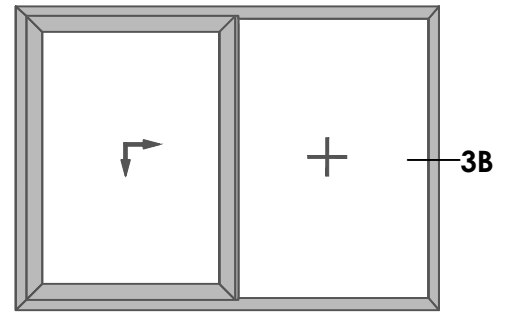


SPOLJA
OUTSIDE

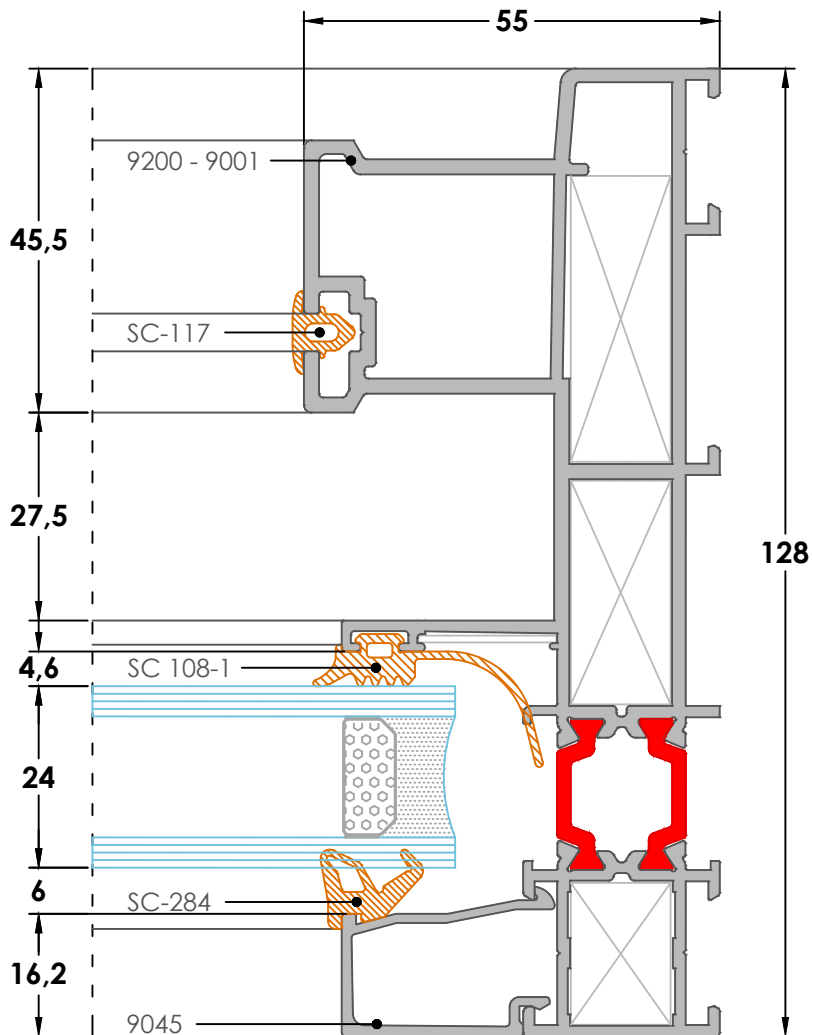


UNUTRA
INSIDE

3B
Detalji-Detail

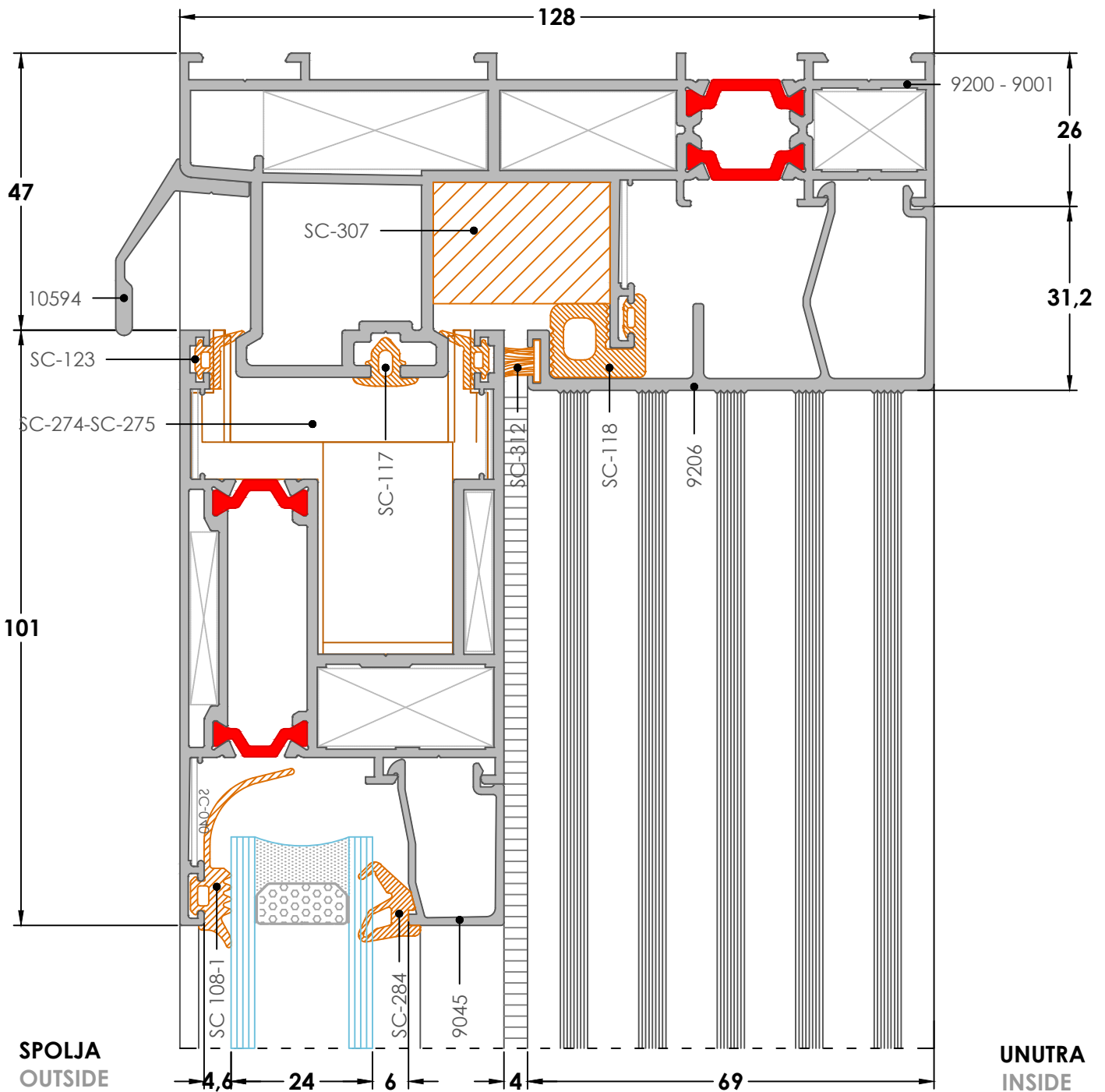
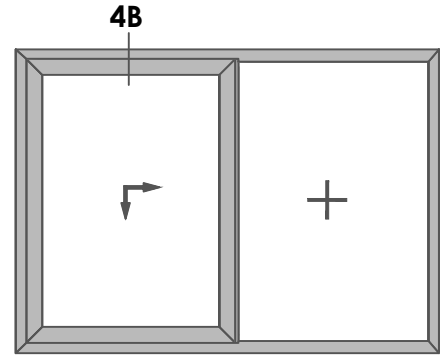


SPOLJA
OUTSIDE

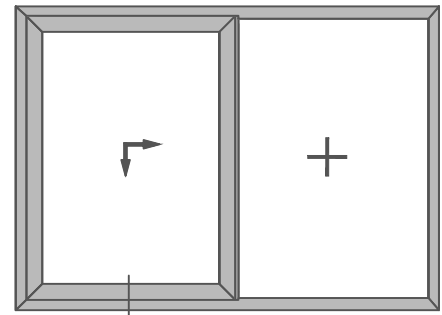


UNUTRA
INSIDE

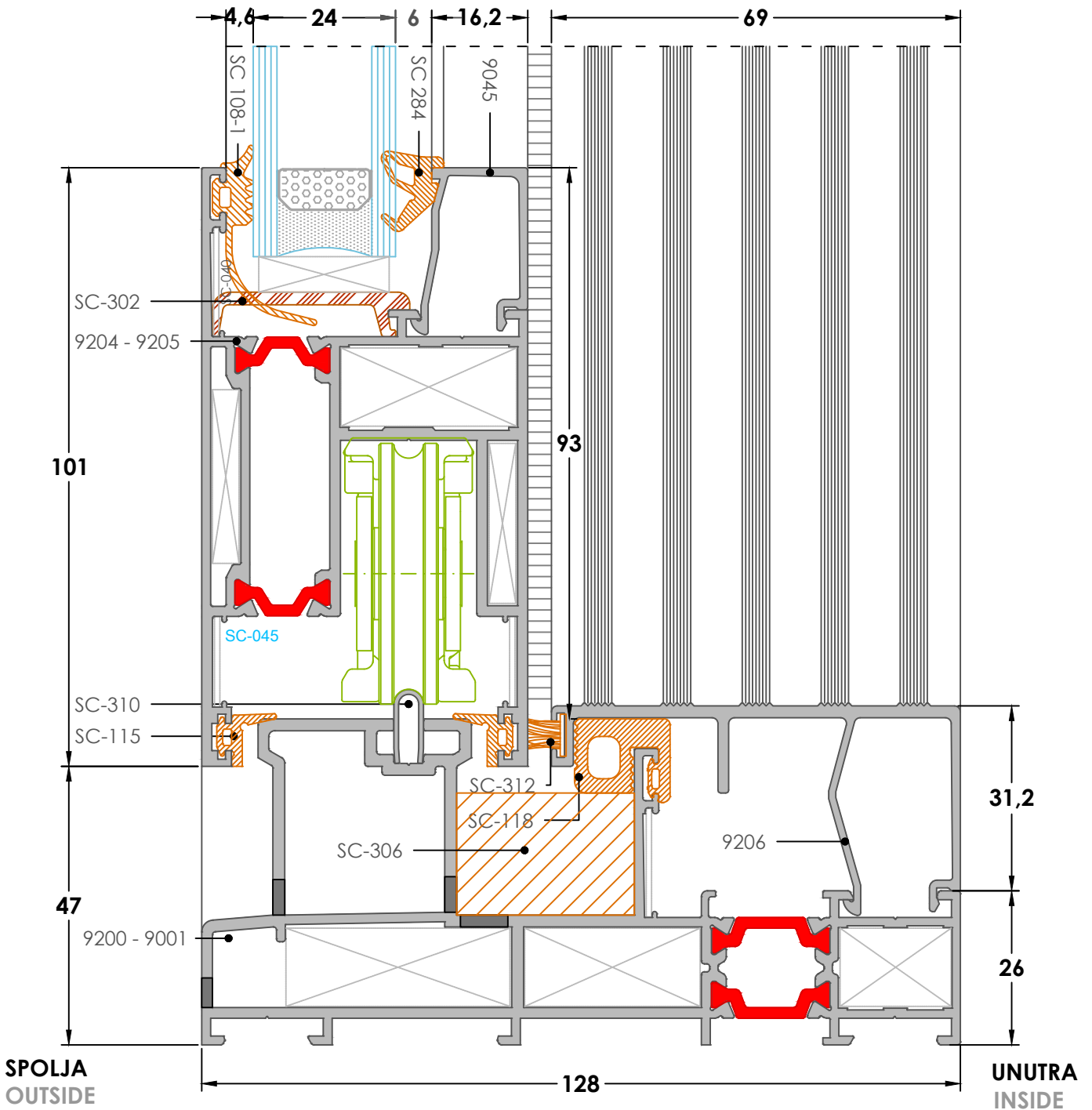
4B
Detalji-Detail



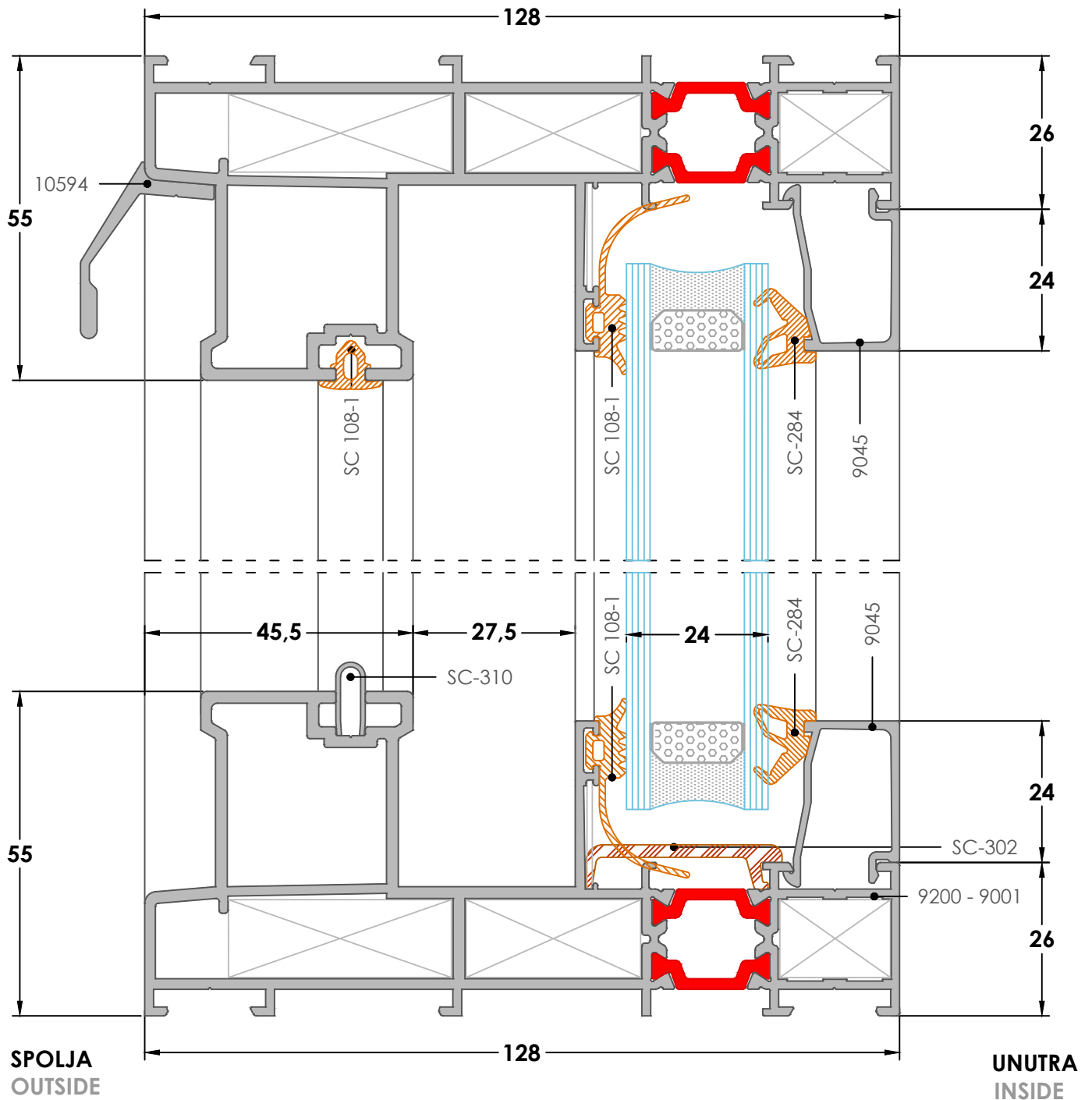
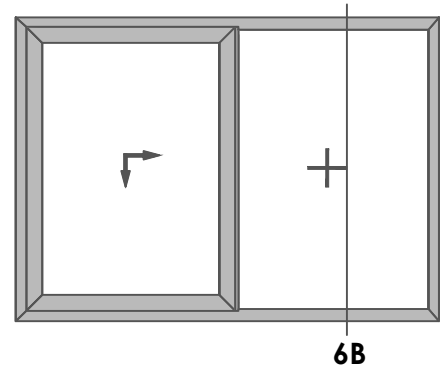
5B
Detalji-Detail



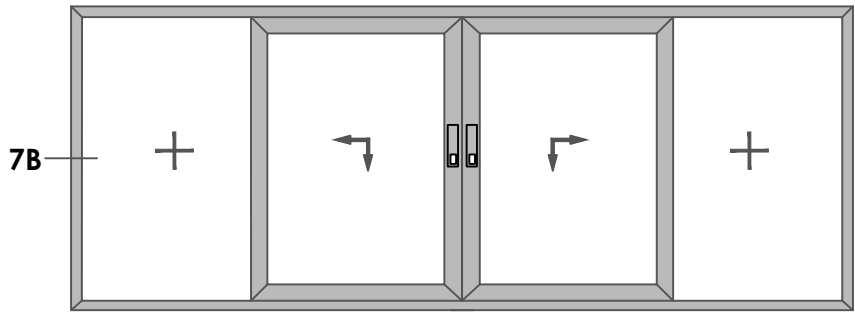
5B



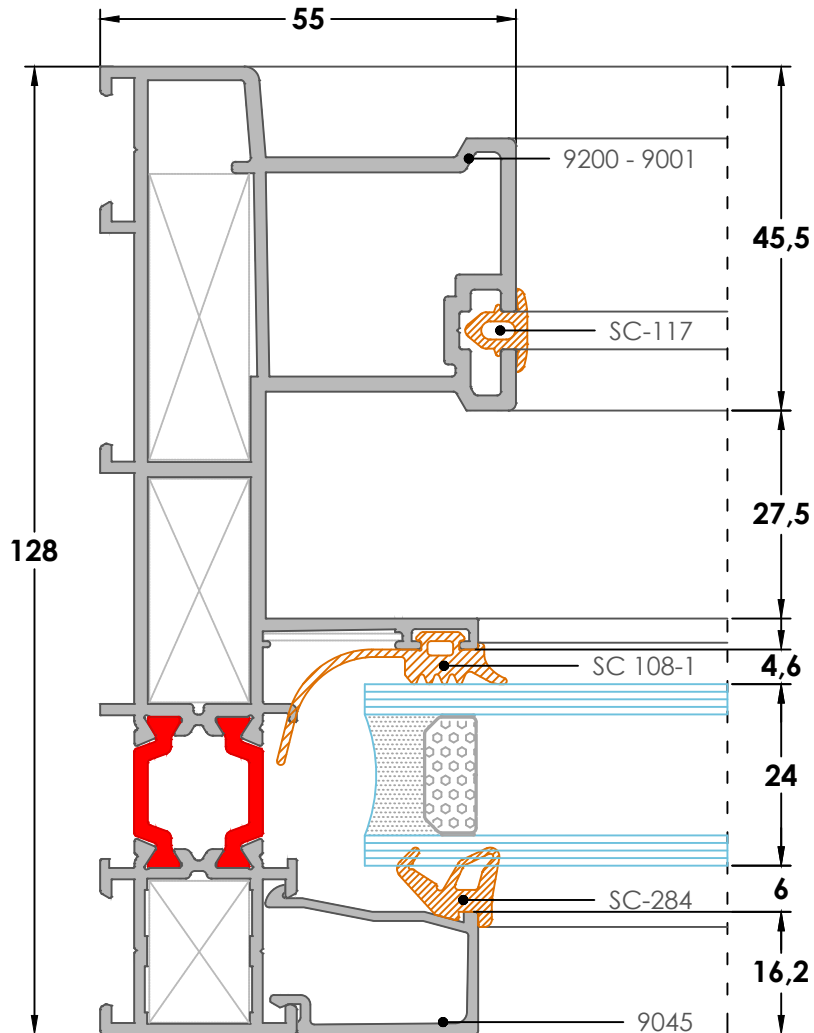
6B
Detalji-Detail



7B
Detalji-Detail

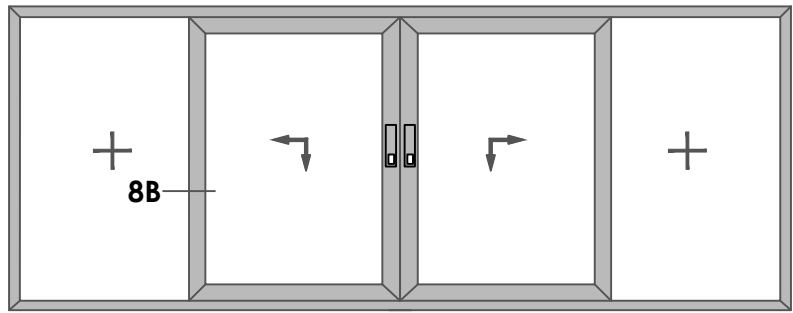


SPOLJA
OUTSIDE

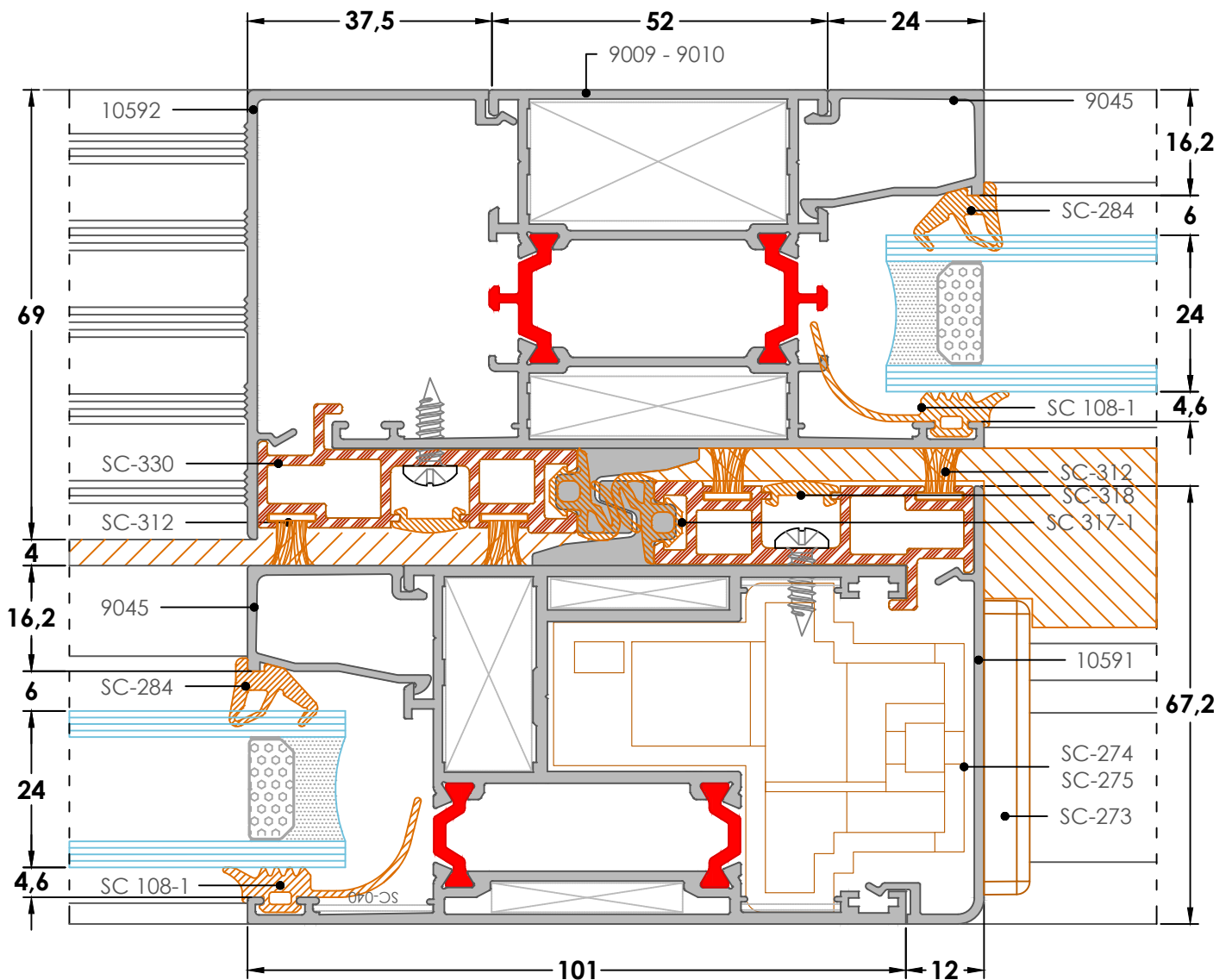


UNUTRA
INSIDE

8B
Detalji-Detail

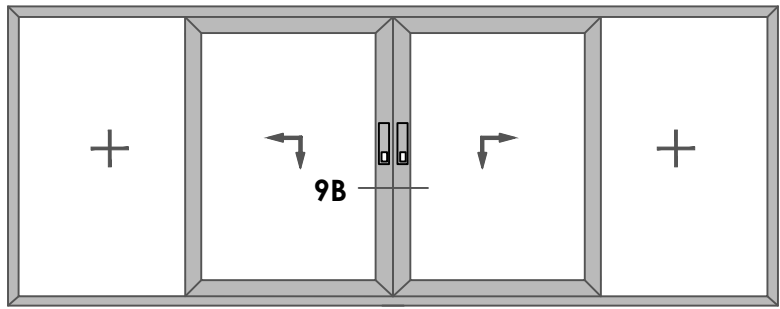


SPOLJA
OUTSIDE

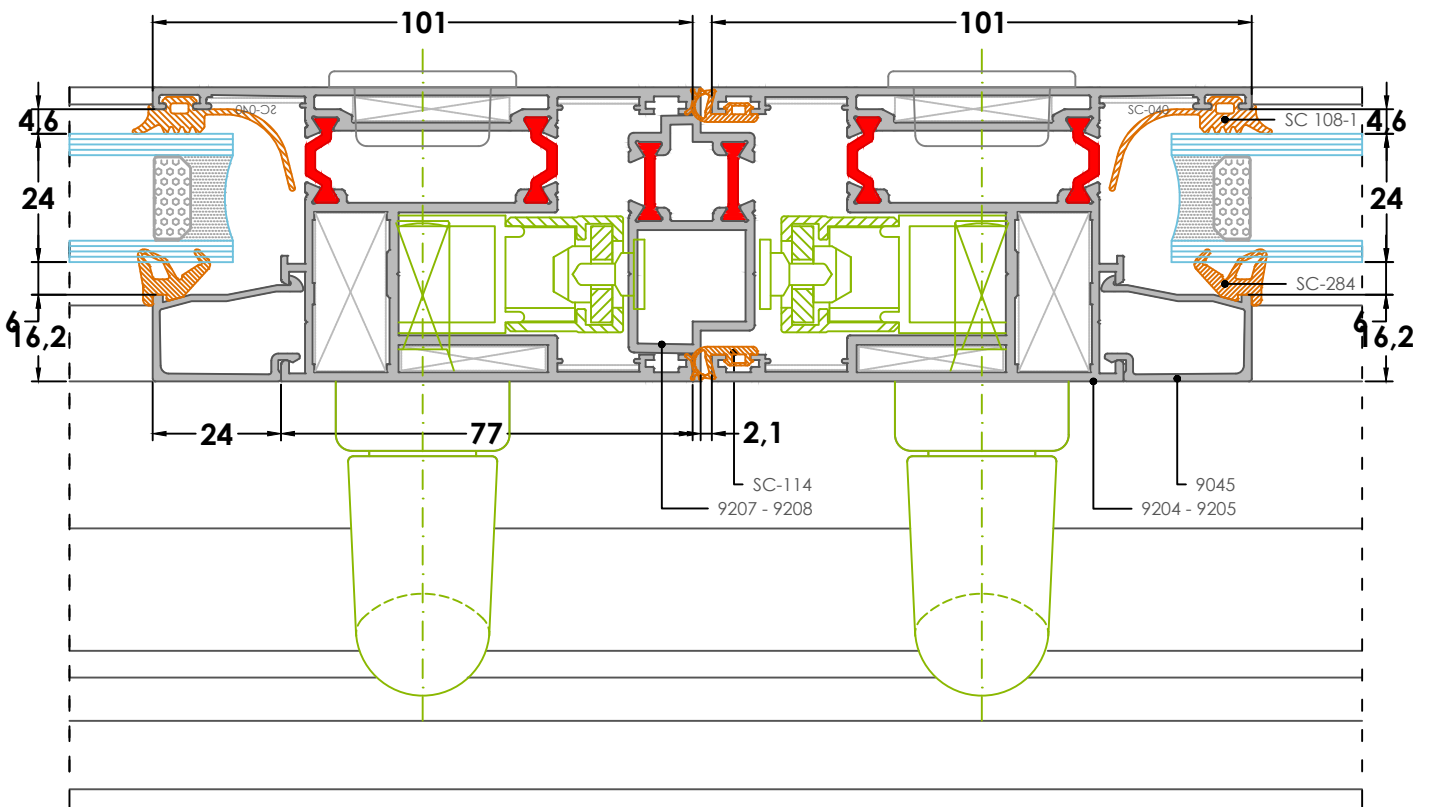


UNUTRA
INSIDE

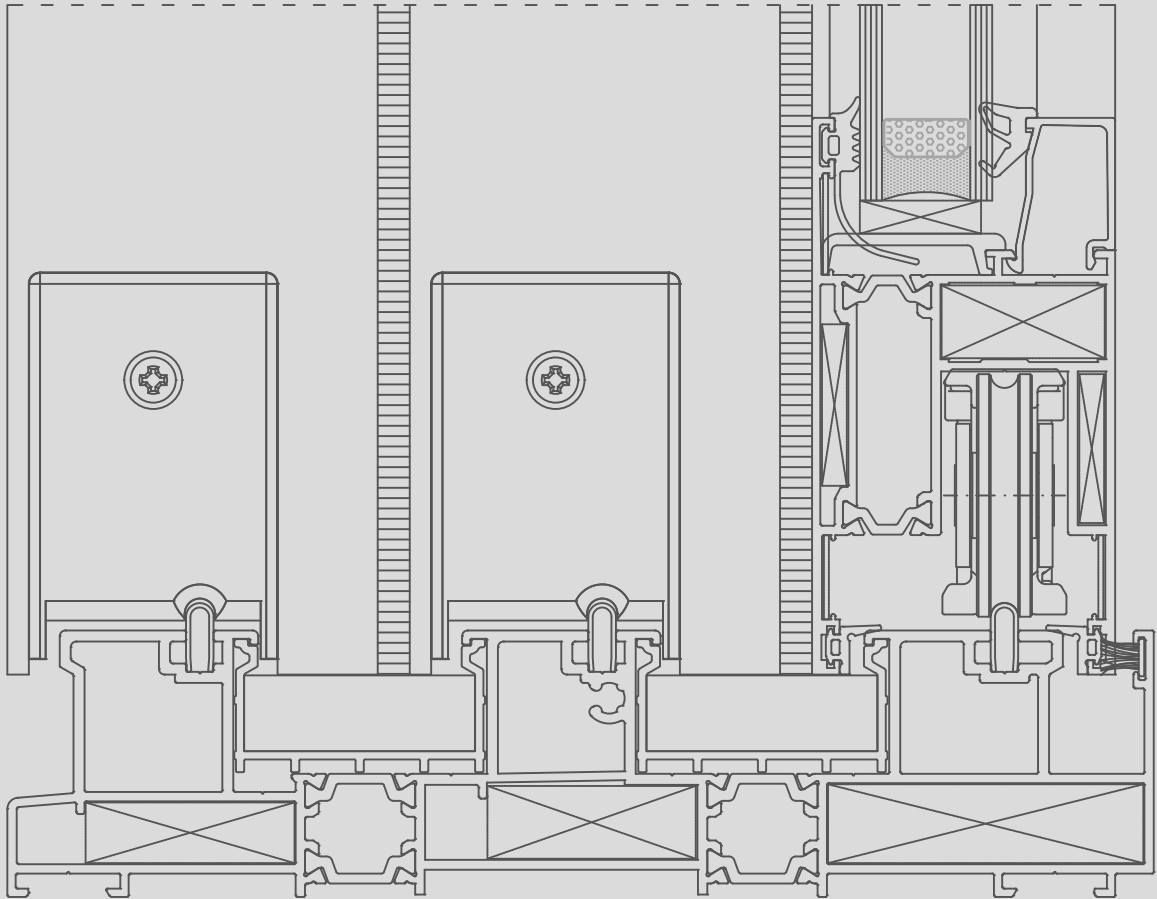
9B
Detalji-Detail



SPOLJA
OUTSIDE

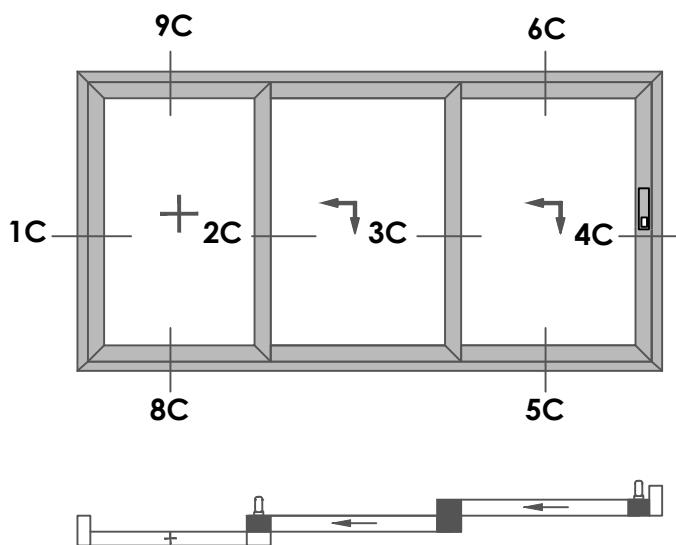
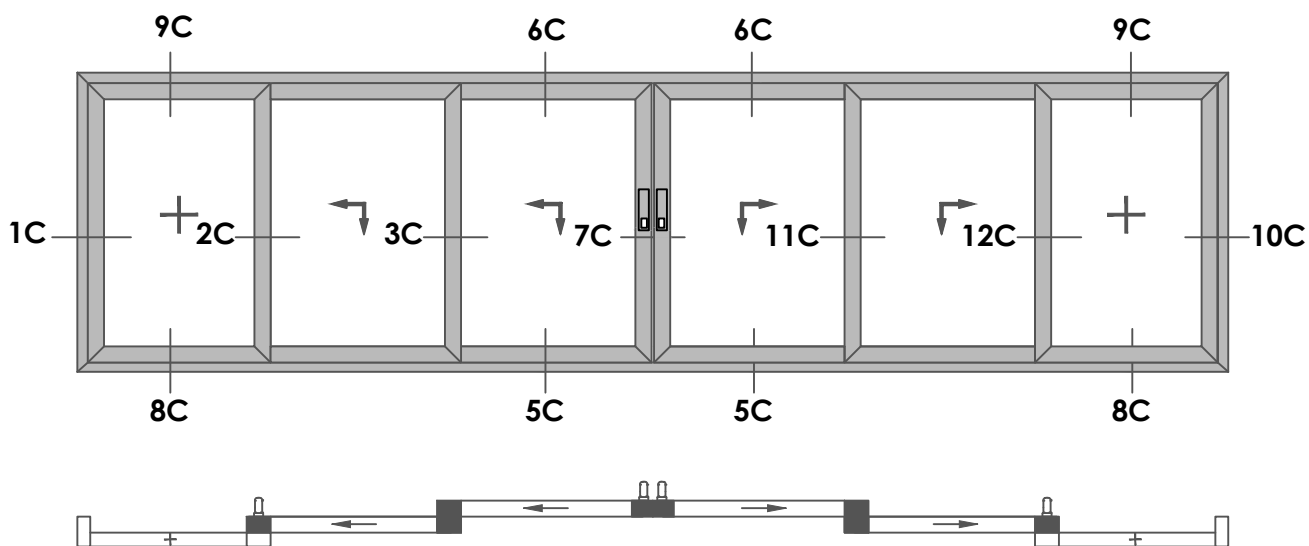


UNUTRA
INSIDE

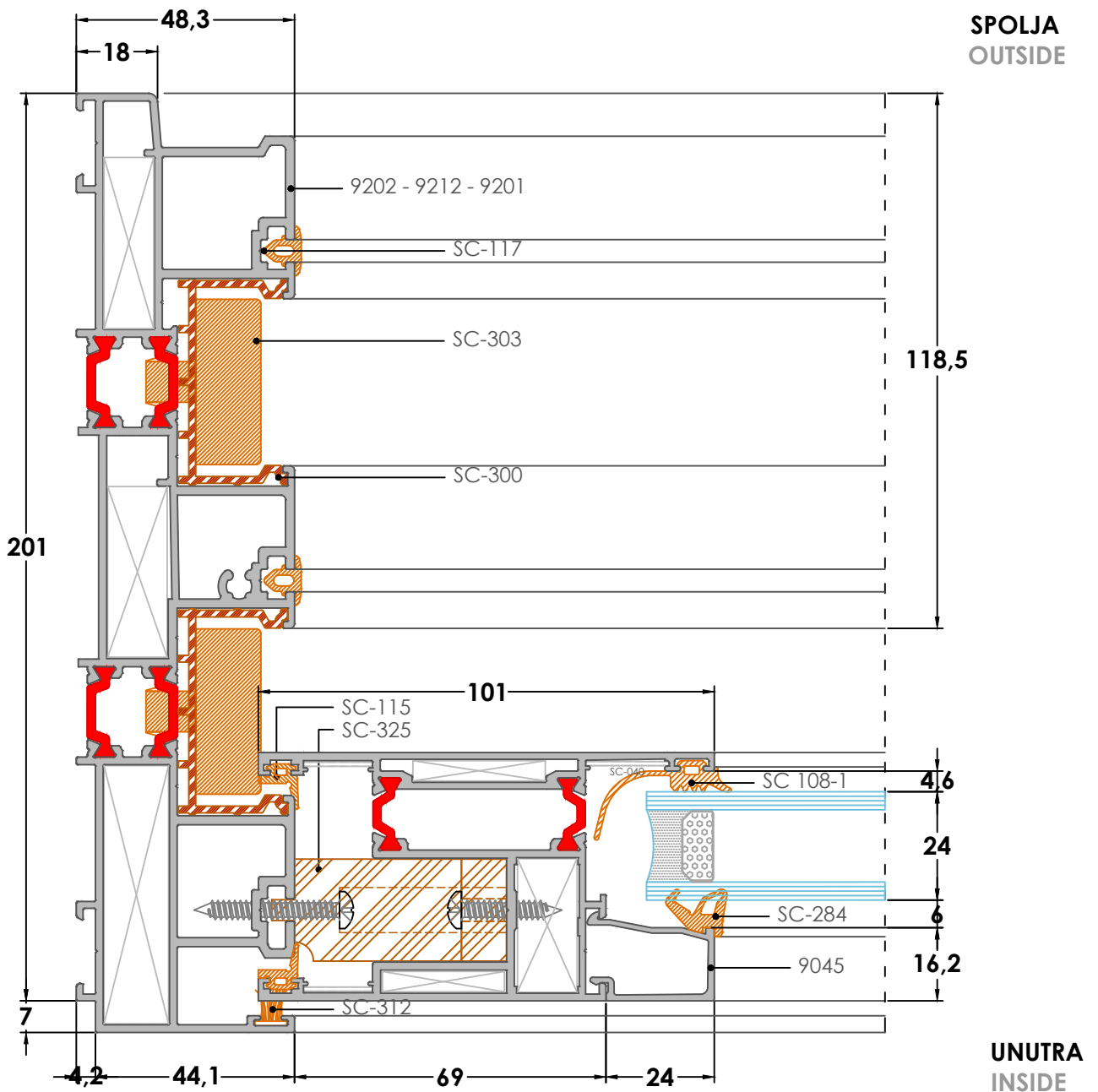
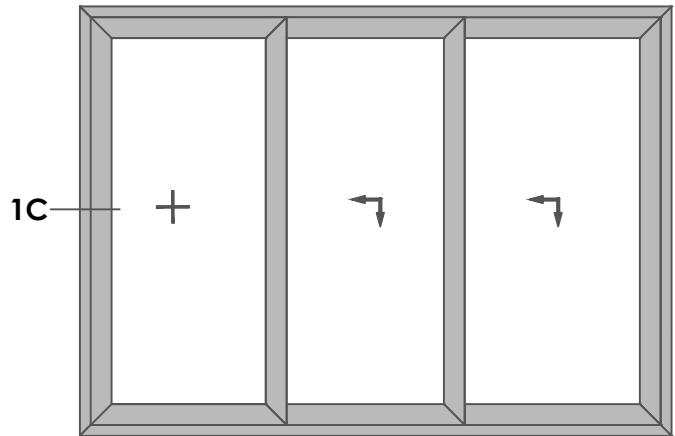


**SSI 128 PODIZNO KLIZNI
TRI ŠINE - PRESECI**

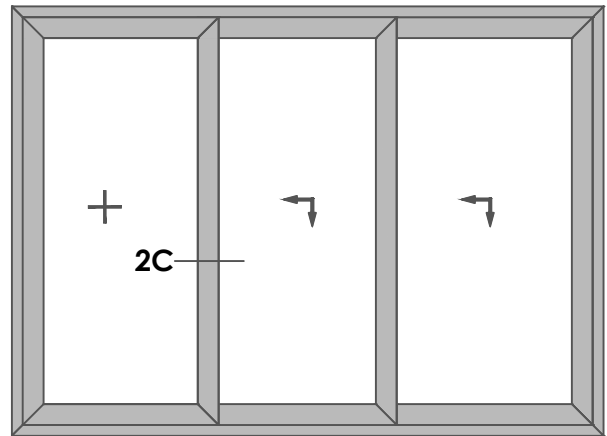
SSI 128 SERIES DETAILS



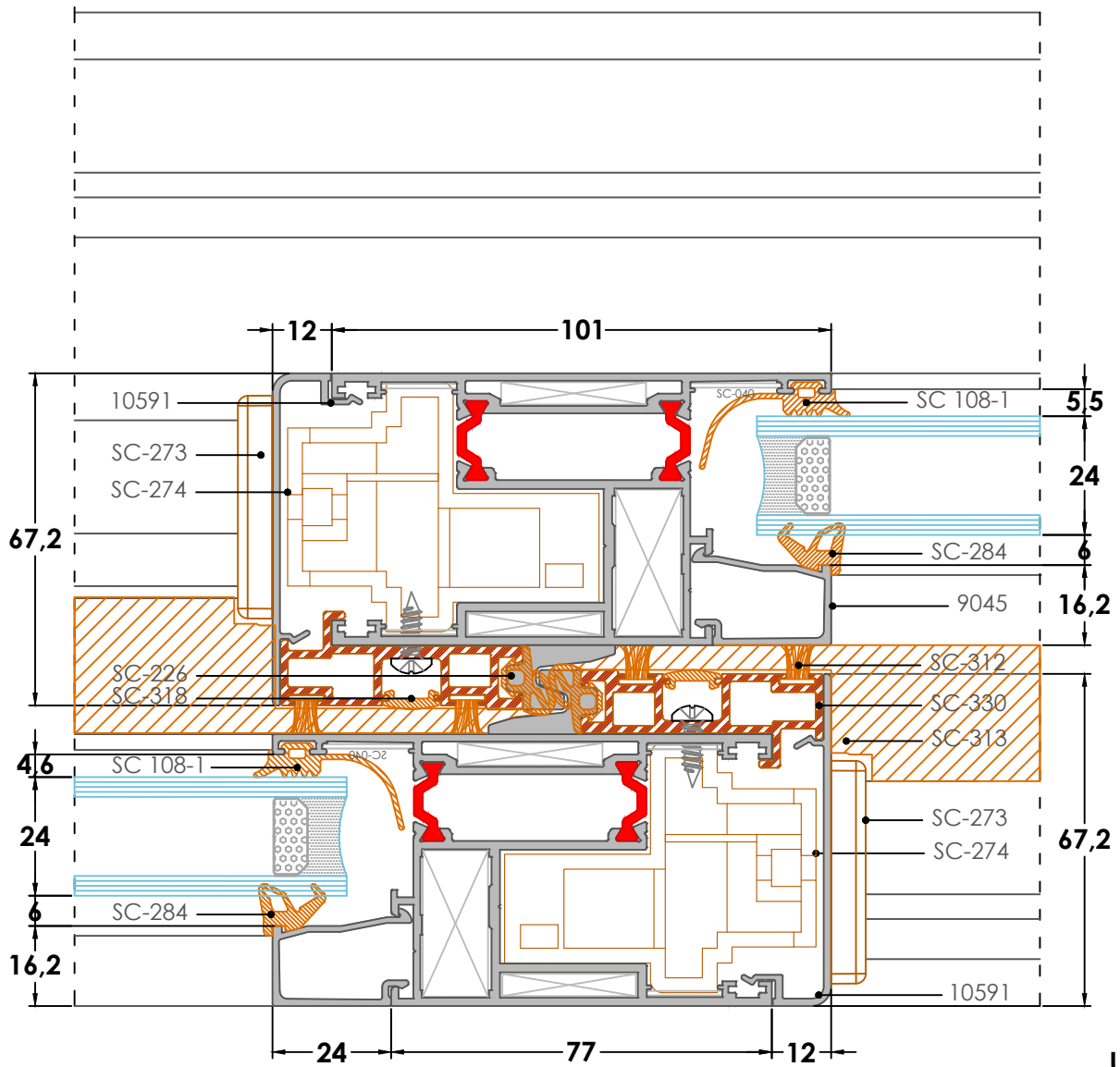
1C
Detalji-Detail



2C
Detalji-Detail

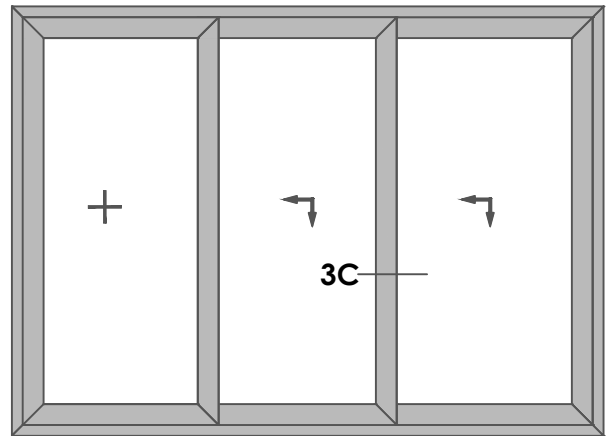


SPOLJA
OUTSIDE

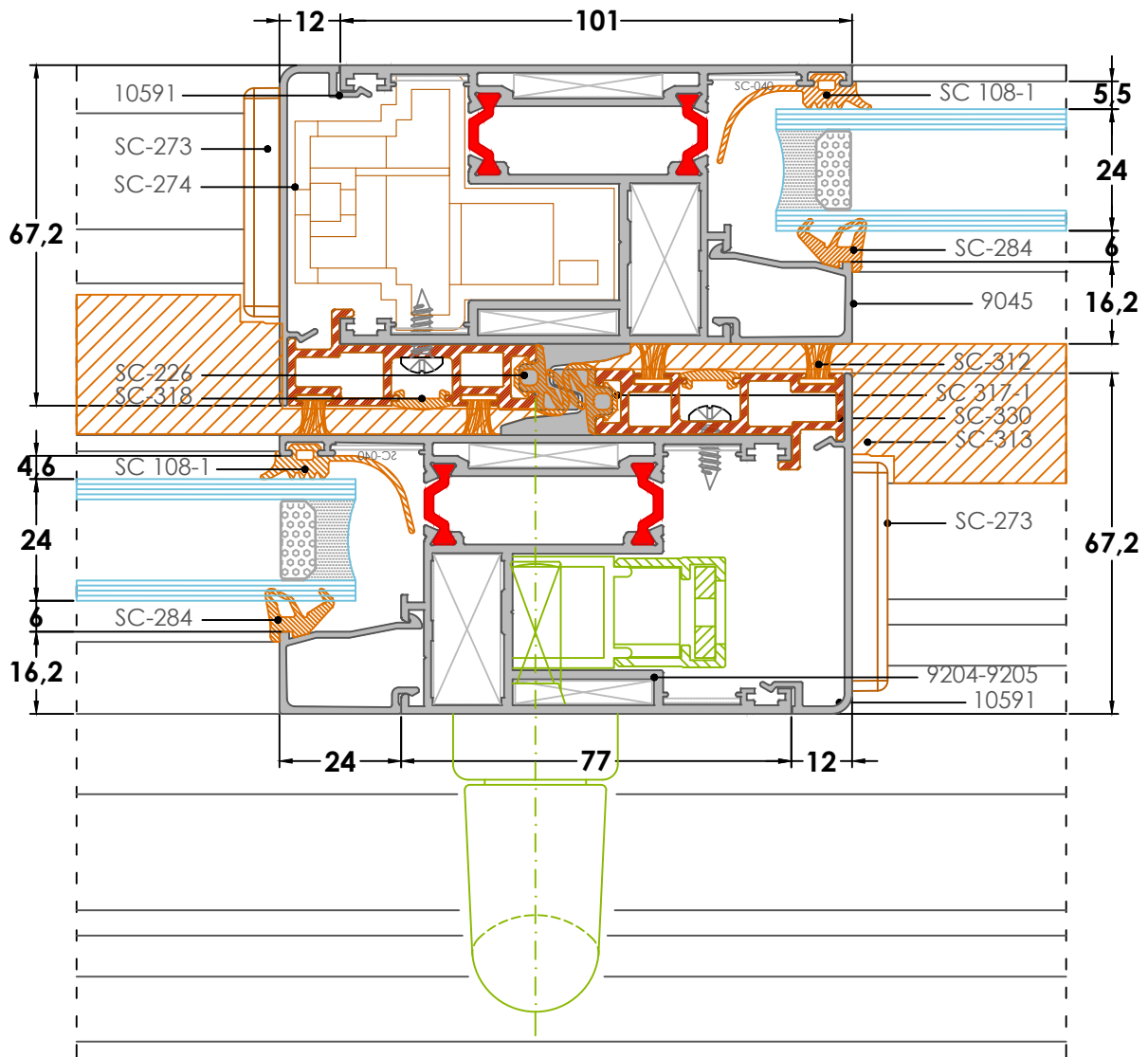


UNUTRA
INSIDE

3C
Detalji-Detail

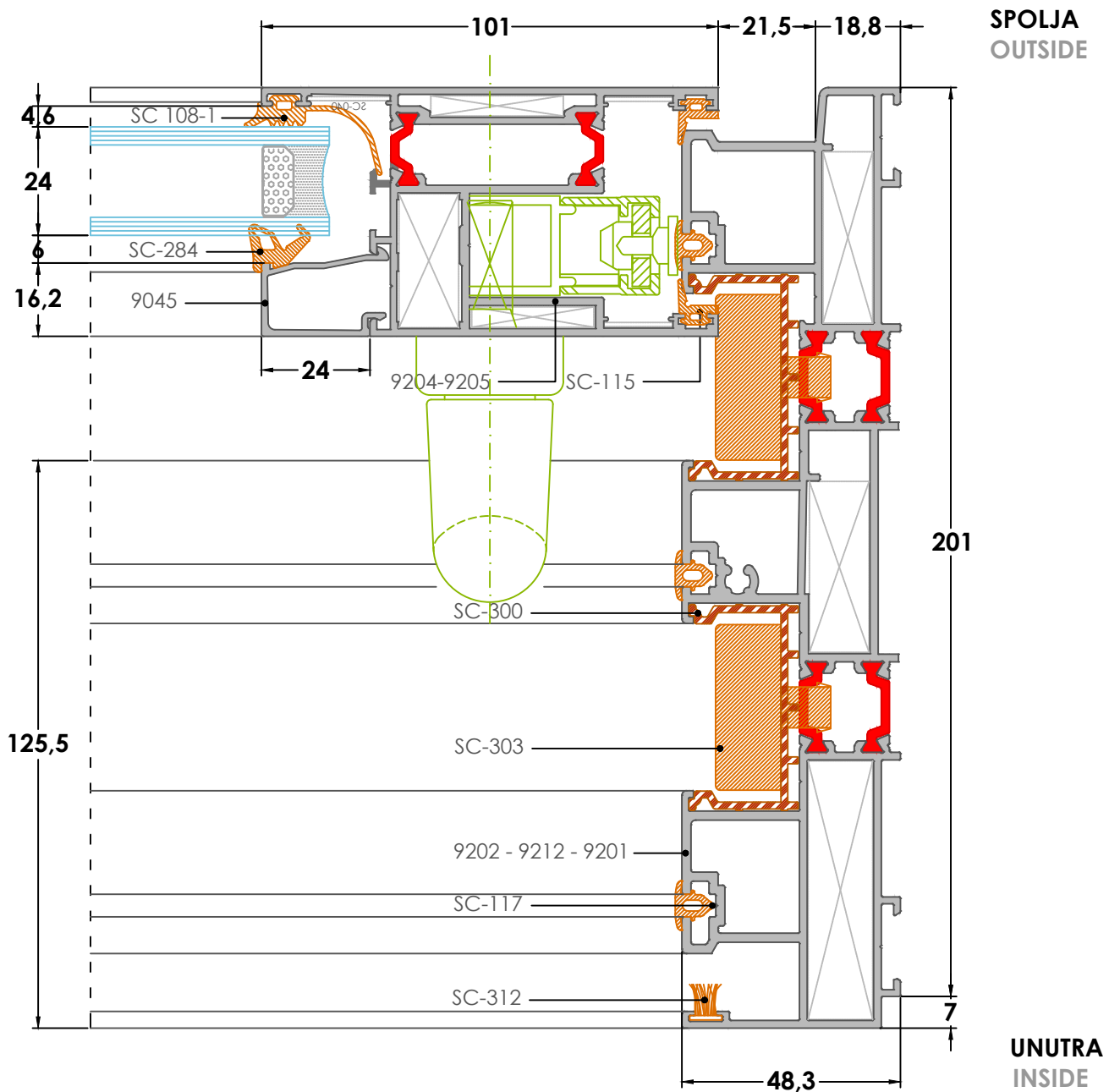
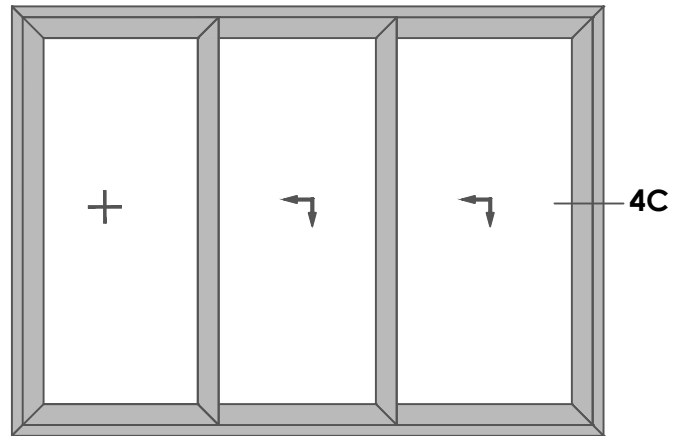


SPOLJA
OUTSIDE

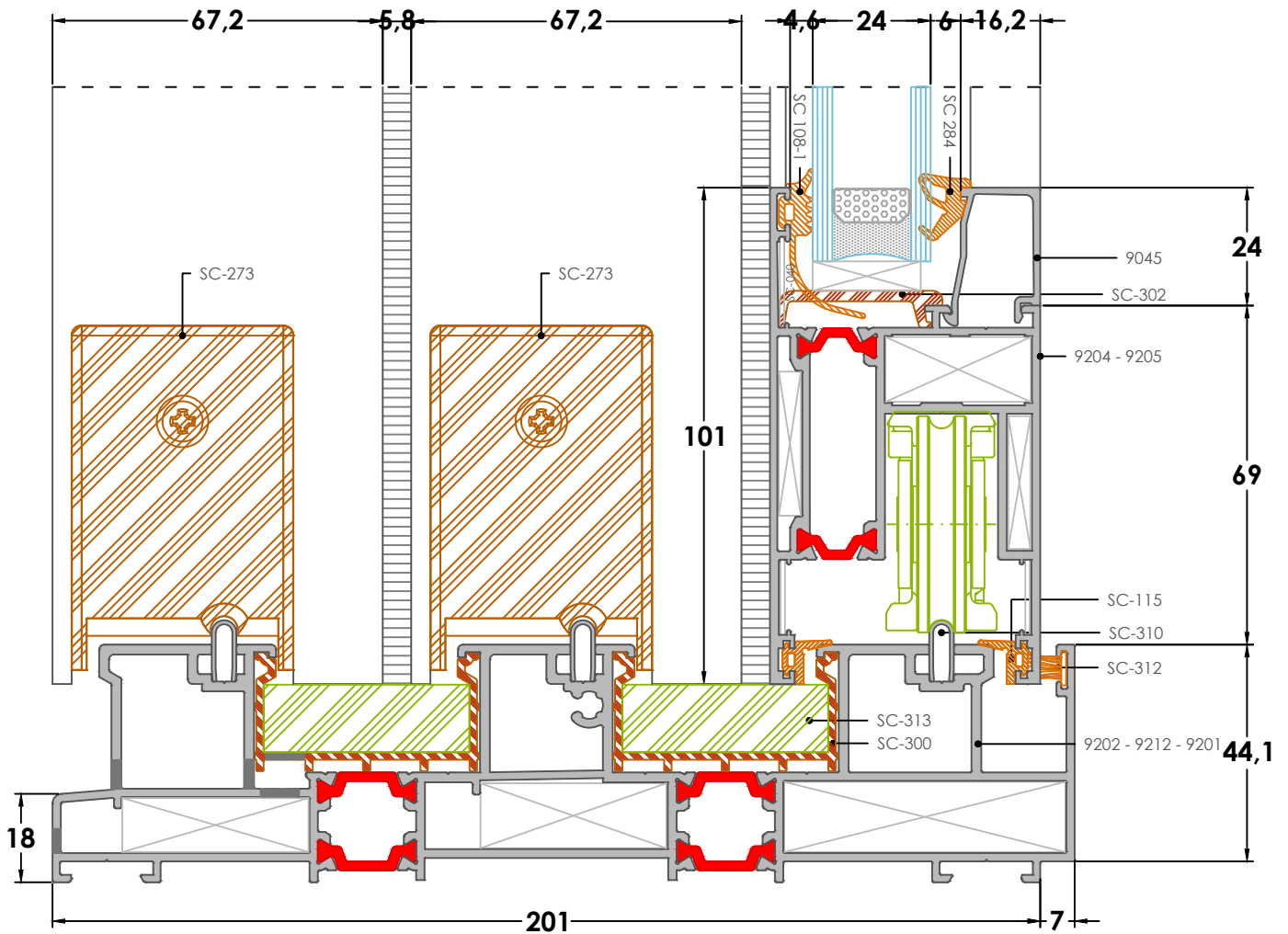
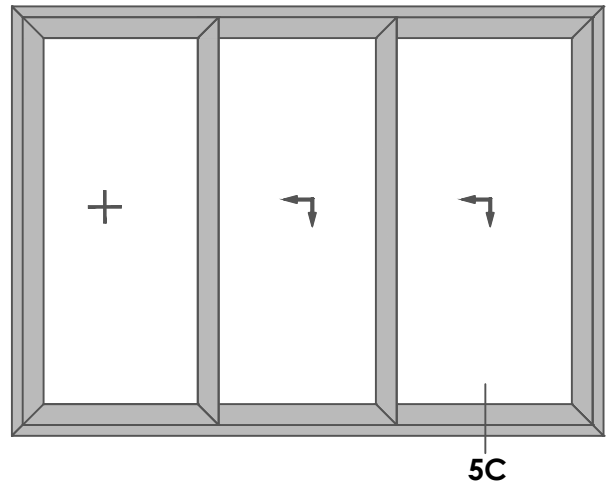


UNUTRA
INSIDE

4C
Detalji-Detail



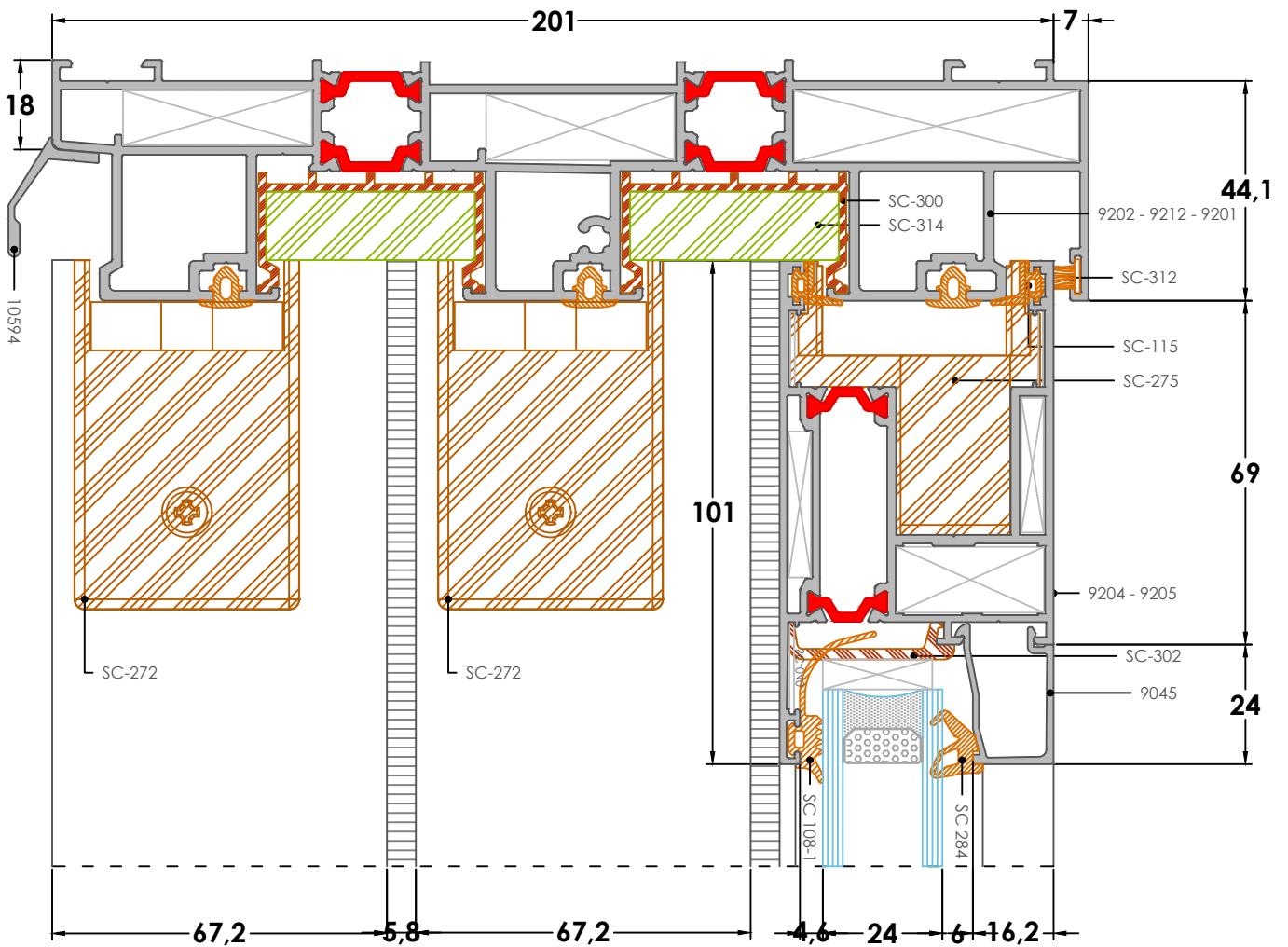
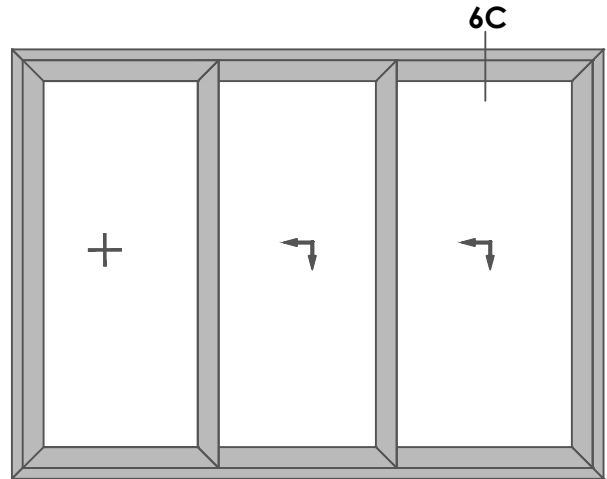
5C
Detalji-Detail



SPOLJA
OUTSIDE

UNUTRA
INSIDE

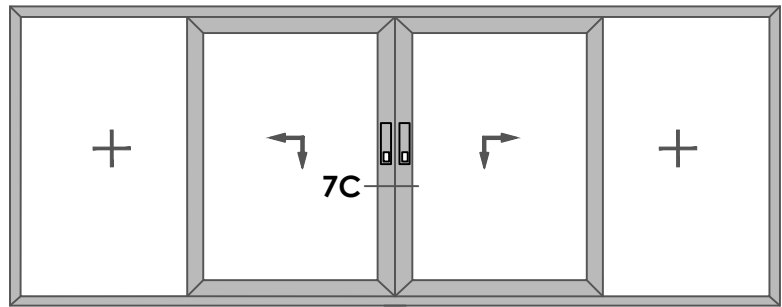
6C
Detalji-Detail



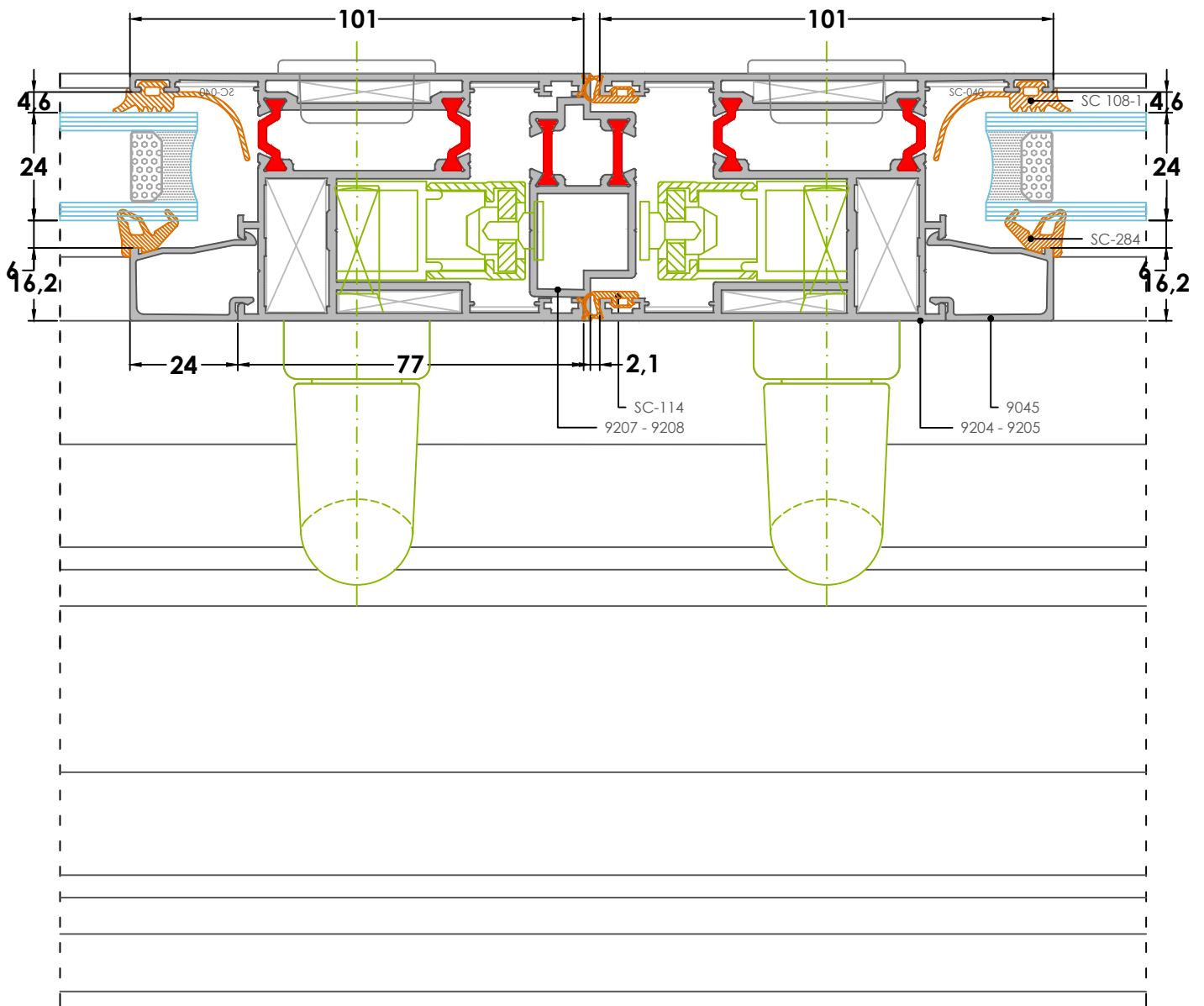
SPOLJA
OUTSIDE

UNUTRA
INSIDE

7C
Detalji-Detail

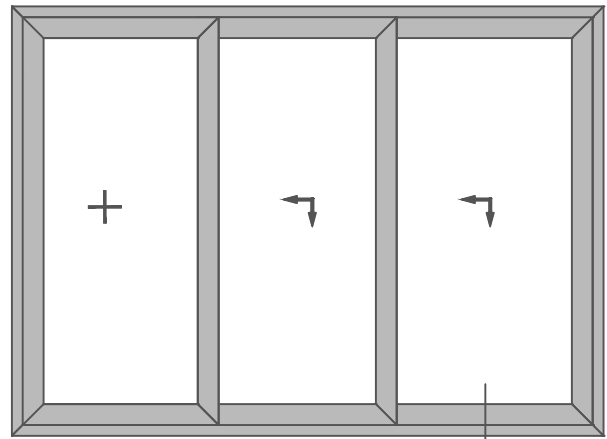


SPOLJA
OUTSIDE

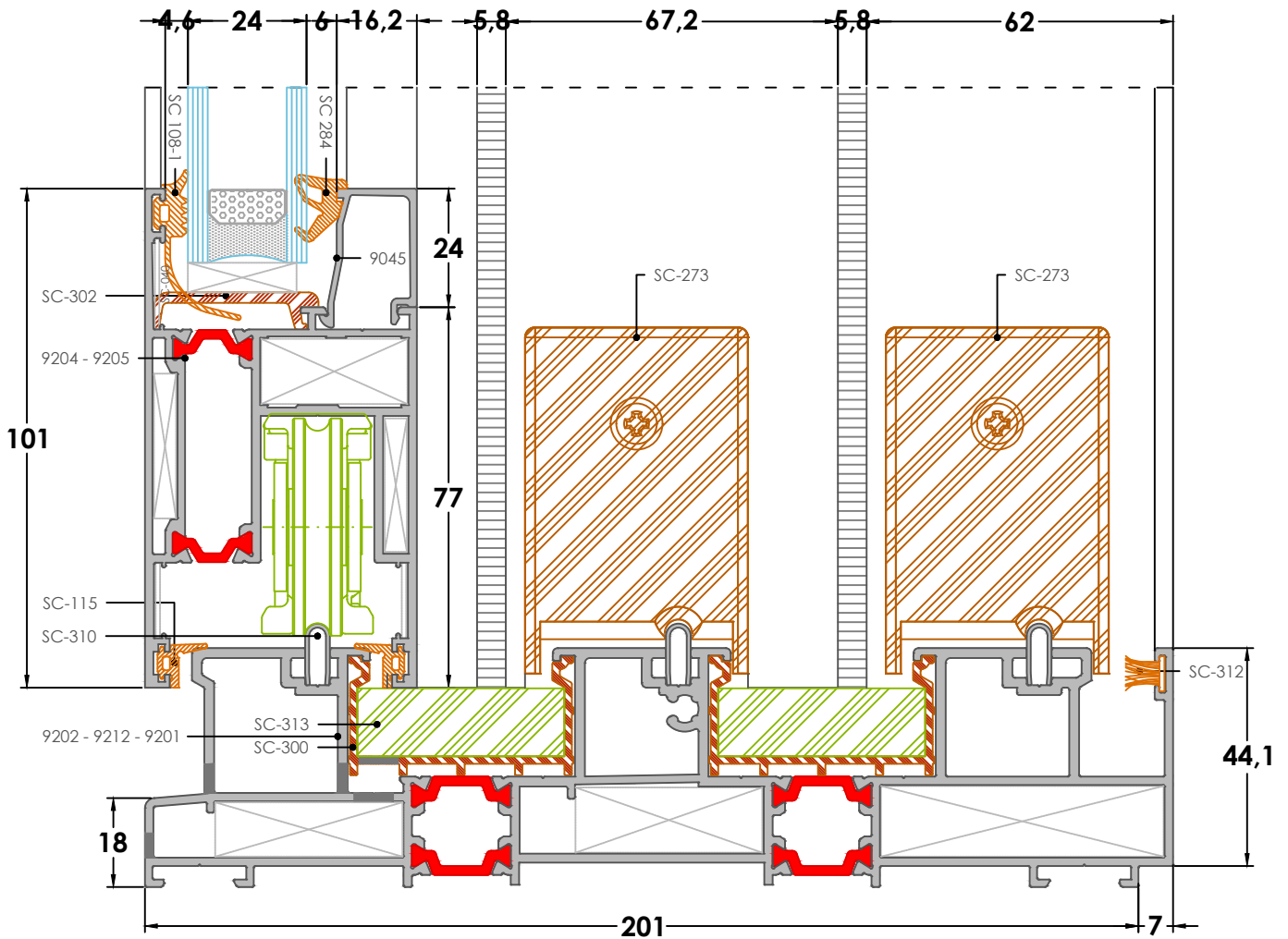


UNUTRA
INSIDE

8C
Detalji-Detail

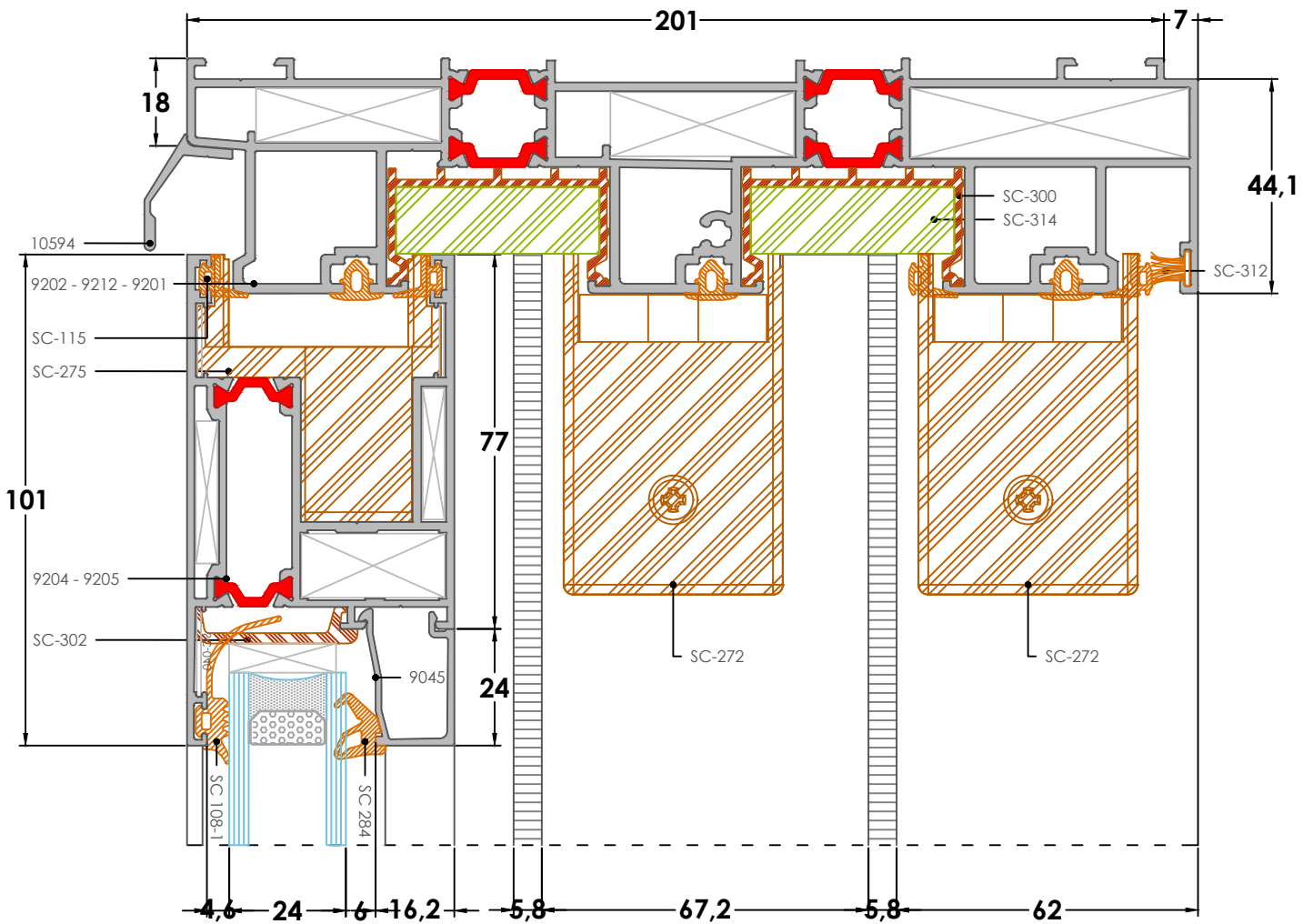
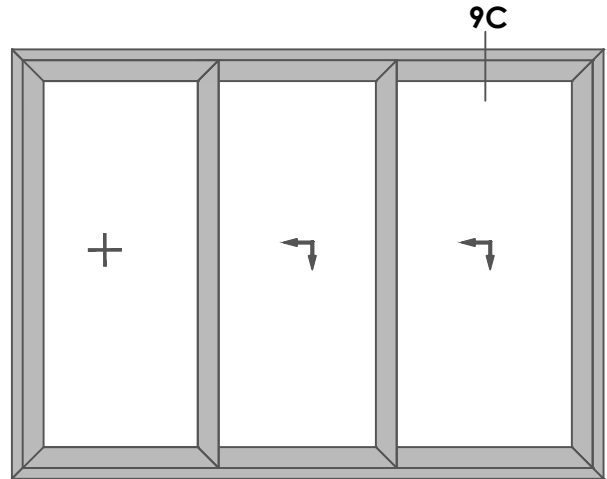


8C SPOLJA
OUTSIDE



UNUTRA
INSIDE

9C
 Detalji-Detail



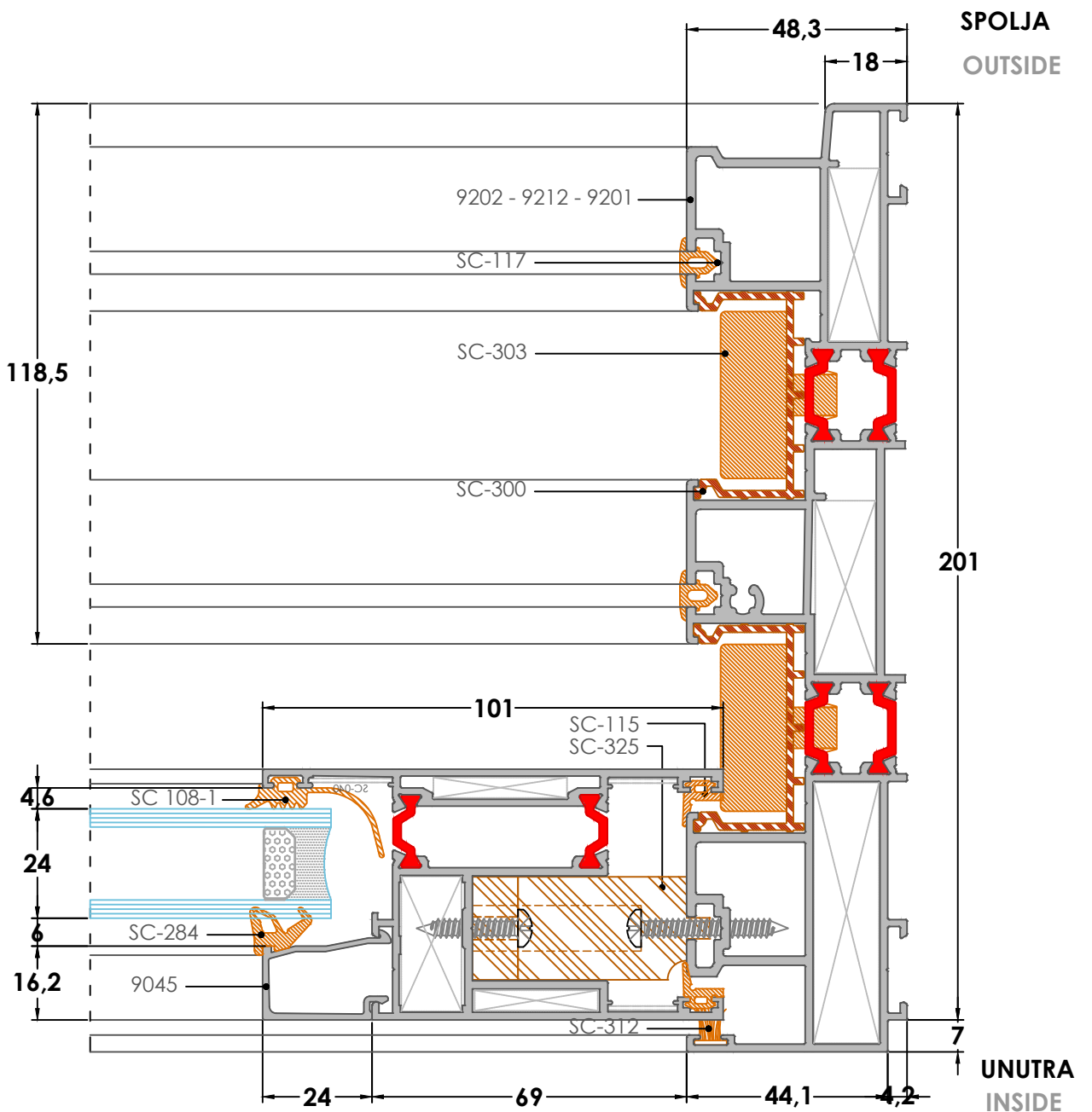
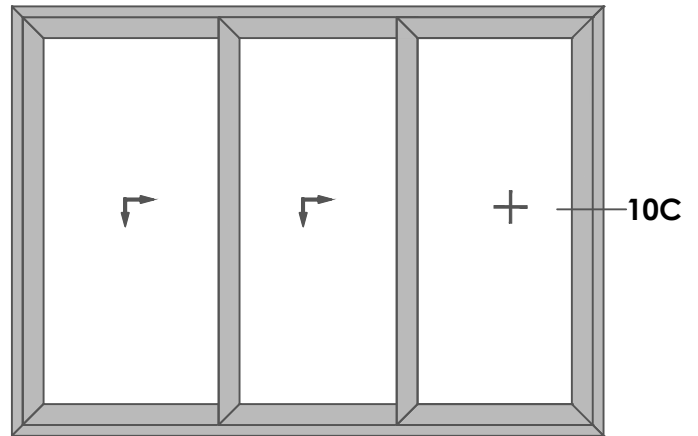
SPOLJA

OUTSIDE

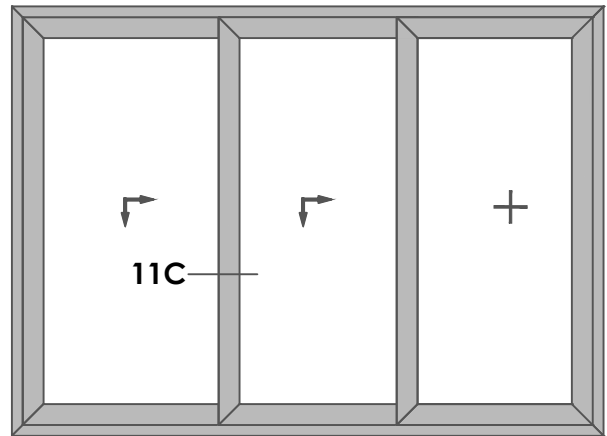
UNUTRA

INSIDE

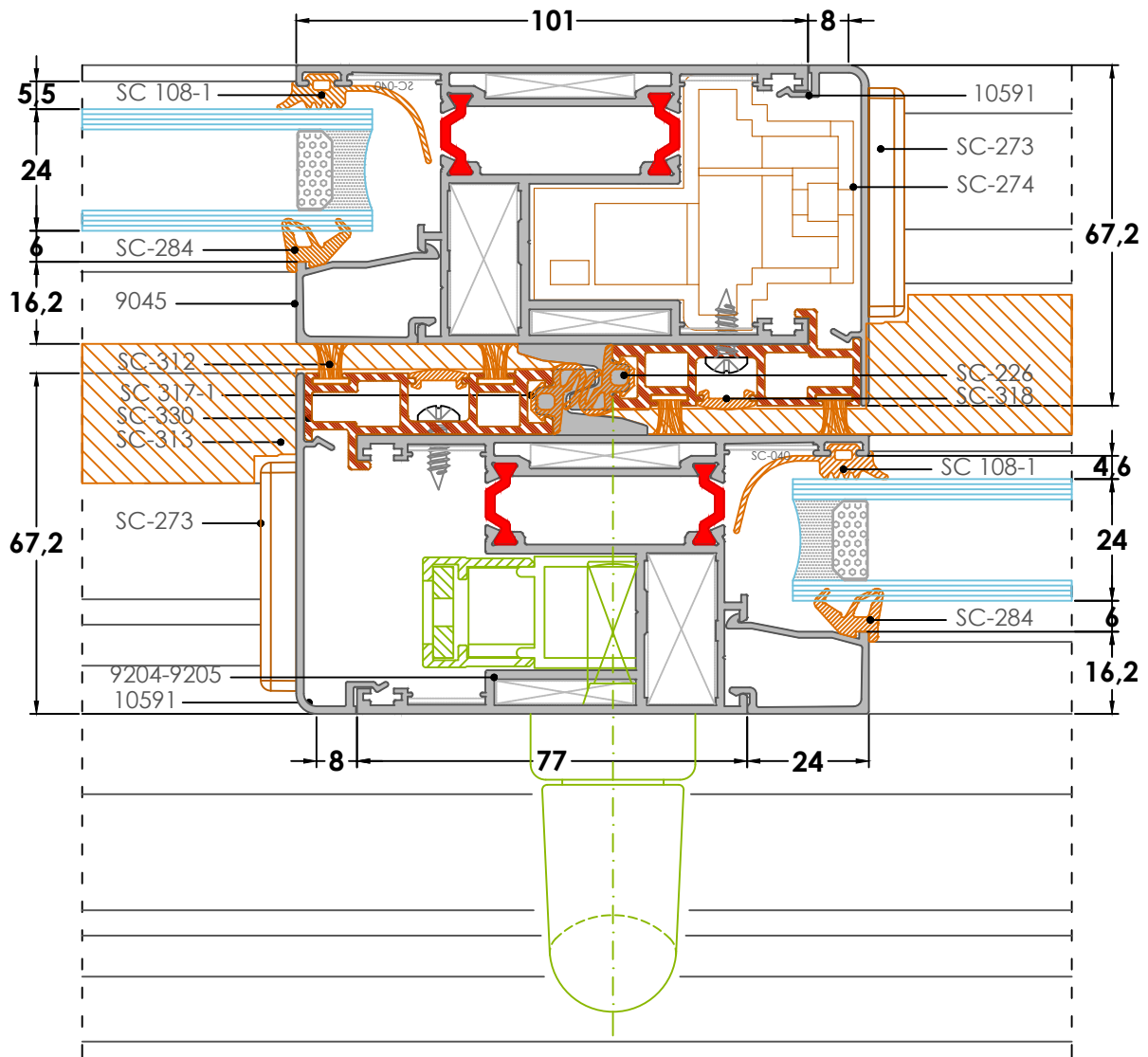
10C
Detalji-Detail



11C
Detalji-Detail

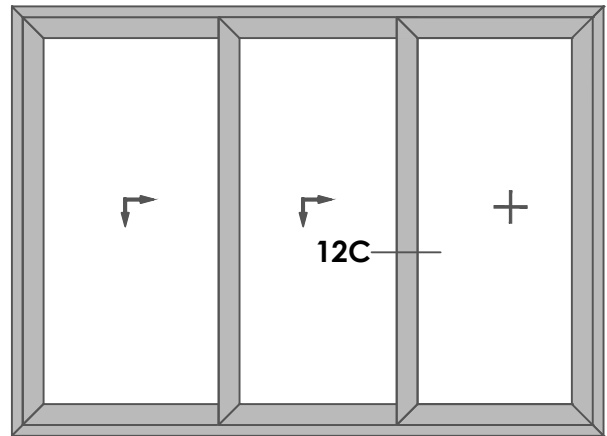


SPOLJA
OUTSIDE

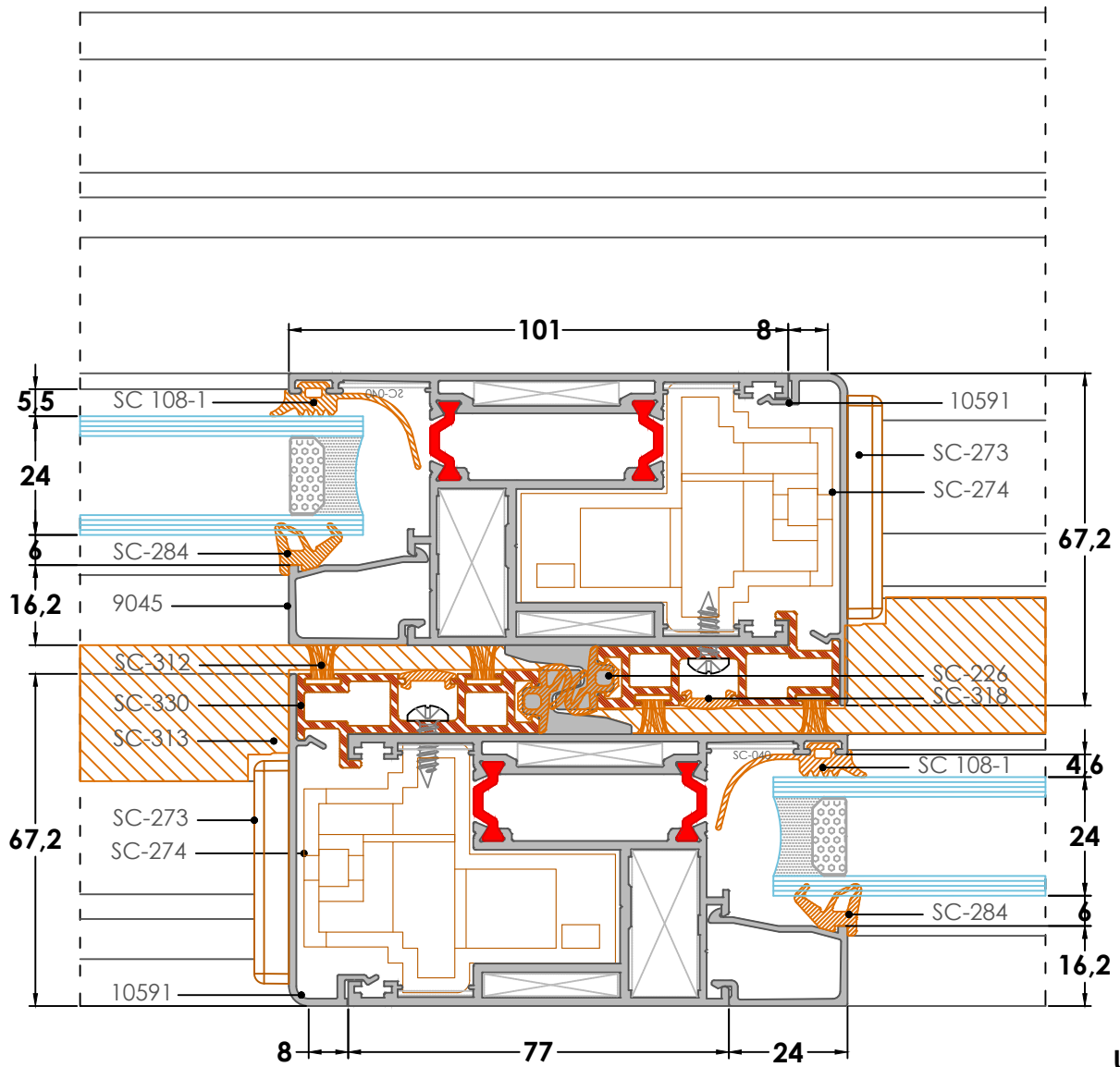


UNUTRA
INSIDE

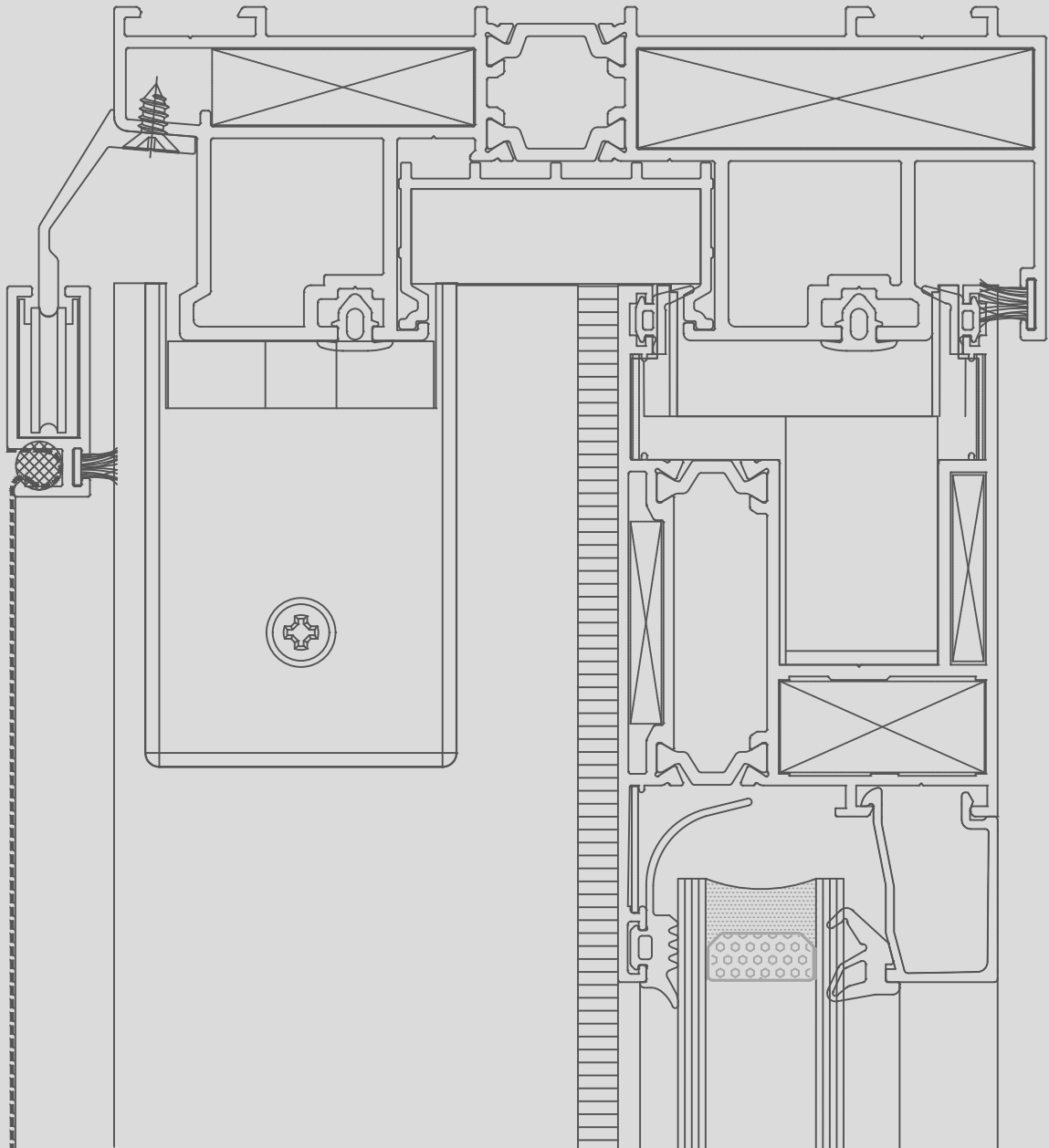
12C
Detalji-Detail



SPOLJA
OUTSIDE

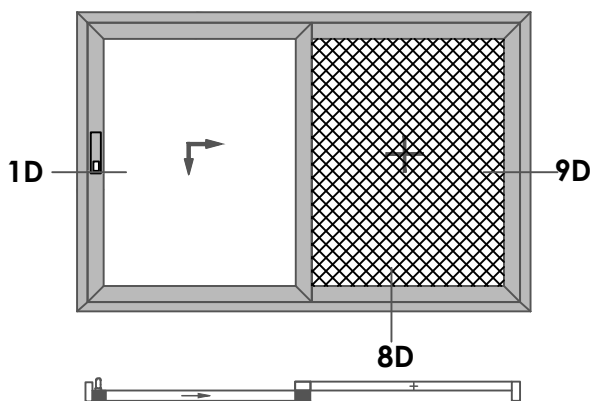
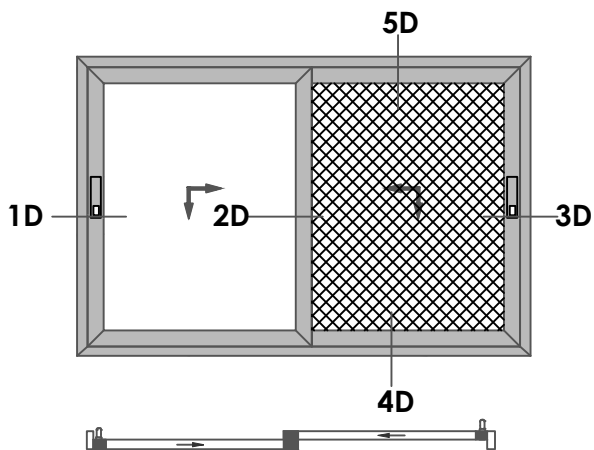


UNUTRA
INSIDE

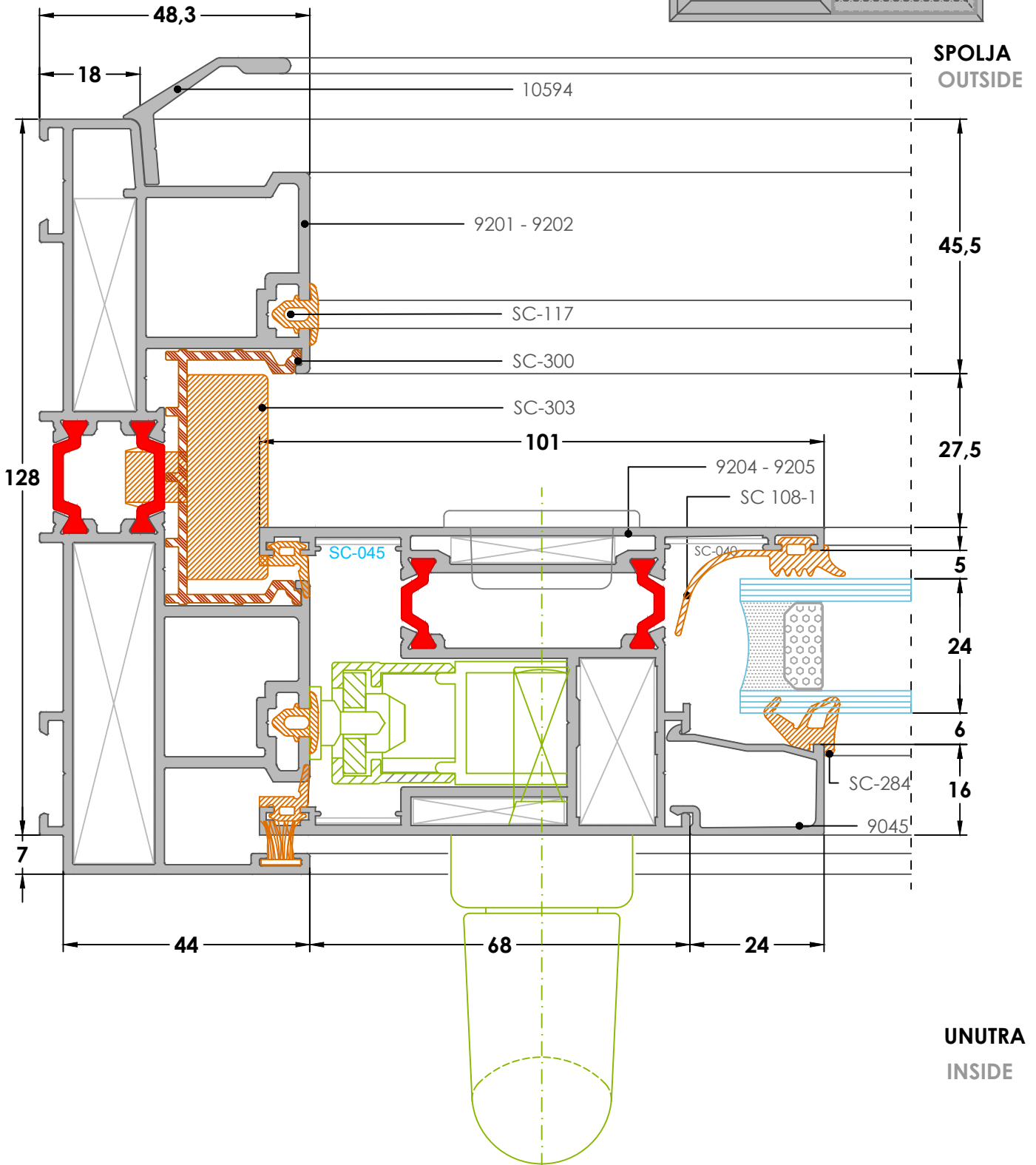
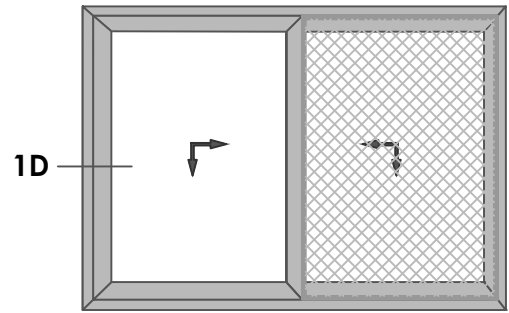


**SSI 128 PODIZNO KLIZNI
PRESECI**

SSI 128 SERIES DETAILS



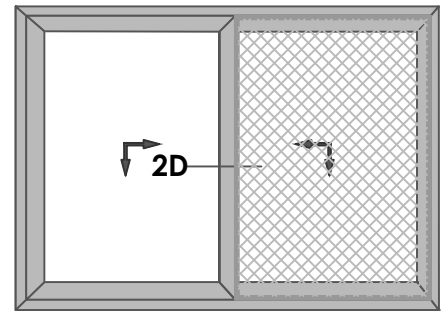
1D
Detalji-Detail



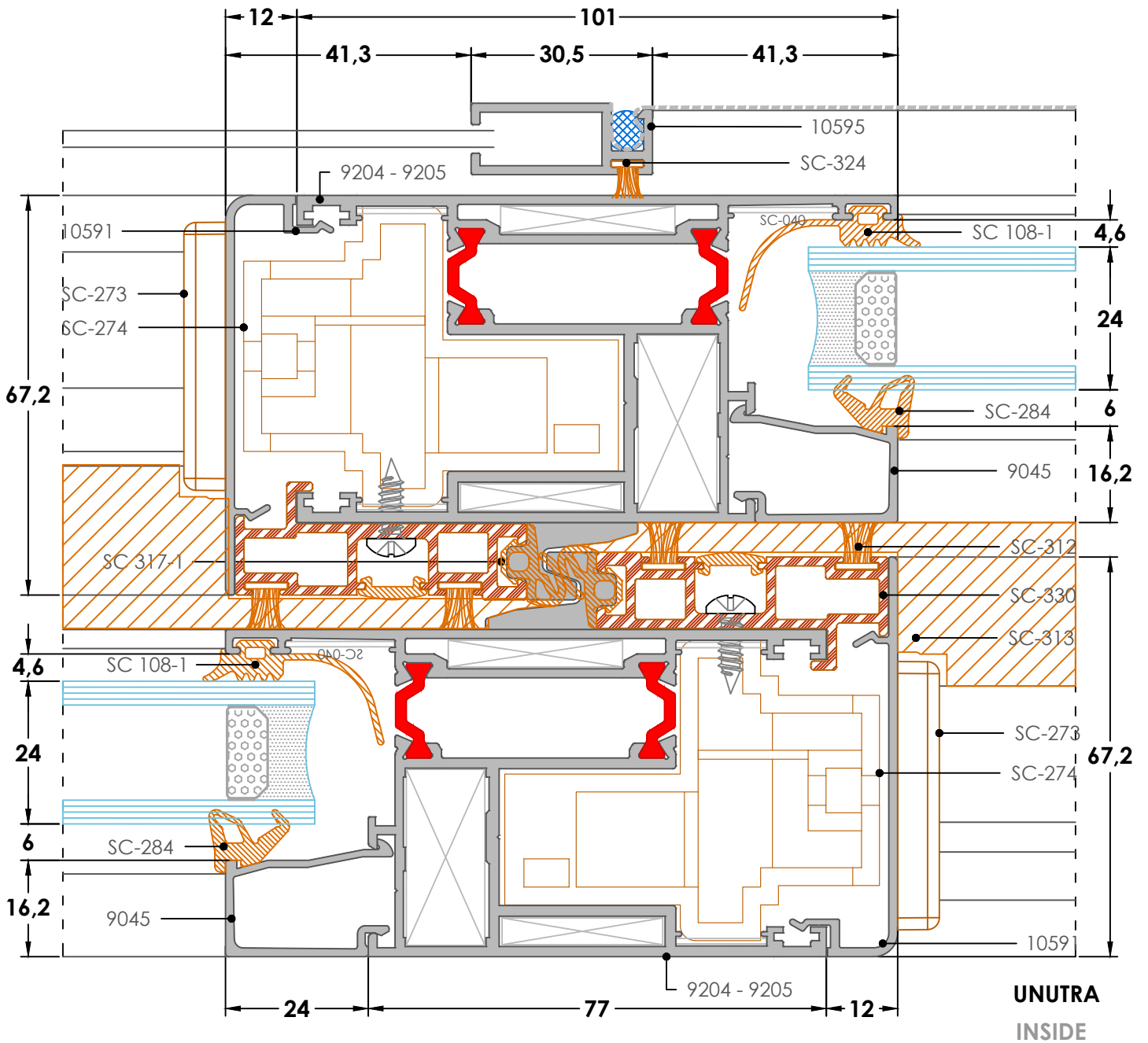
KOLIČINA porudžbine je minimalno 300 kg. / Minimum order quantity 300 kg

Težine su teoretske I svi profili se mere u trenutku isporuke. / Warning: The weights of profile is theoretical, weighting at the time of delivery are valid

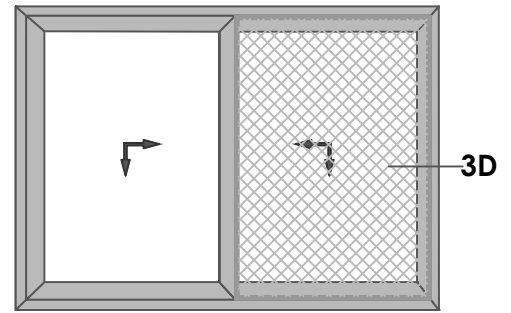
2D
Detalji-Detail



SPOLJA
OUTSIDE

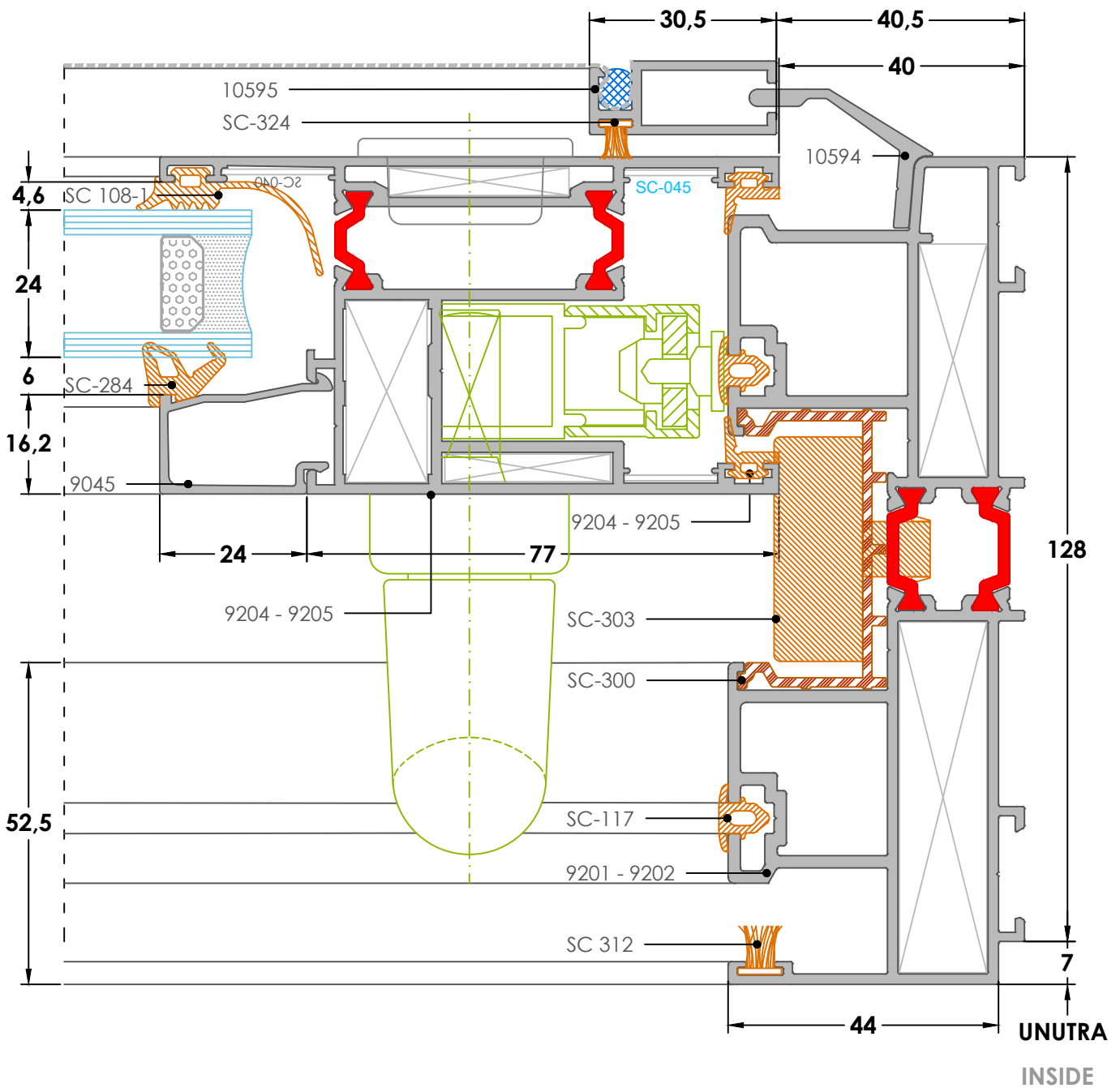


3D
Detalji-Detail



SPOLJA

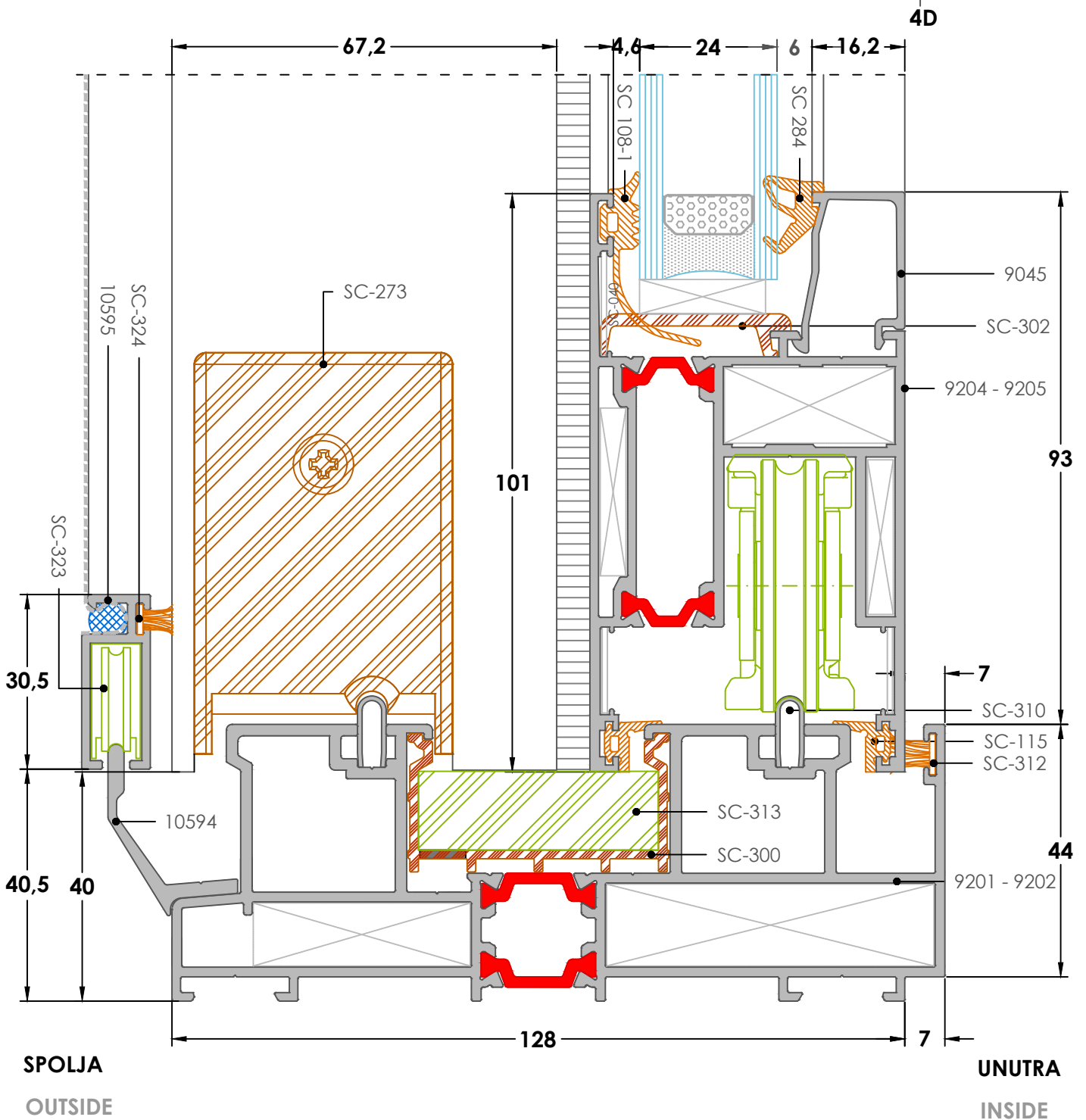
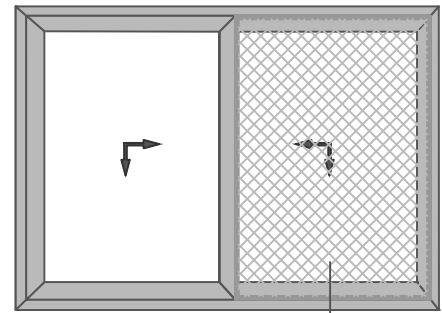
OUTSIDE



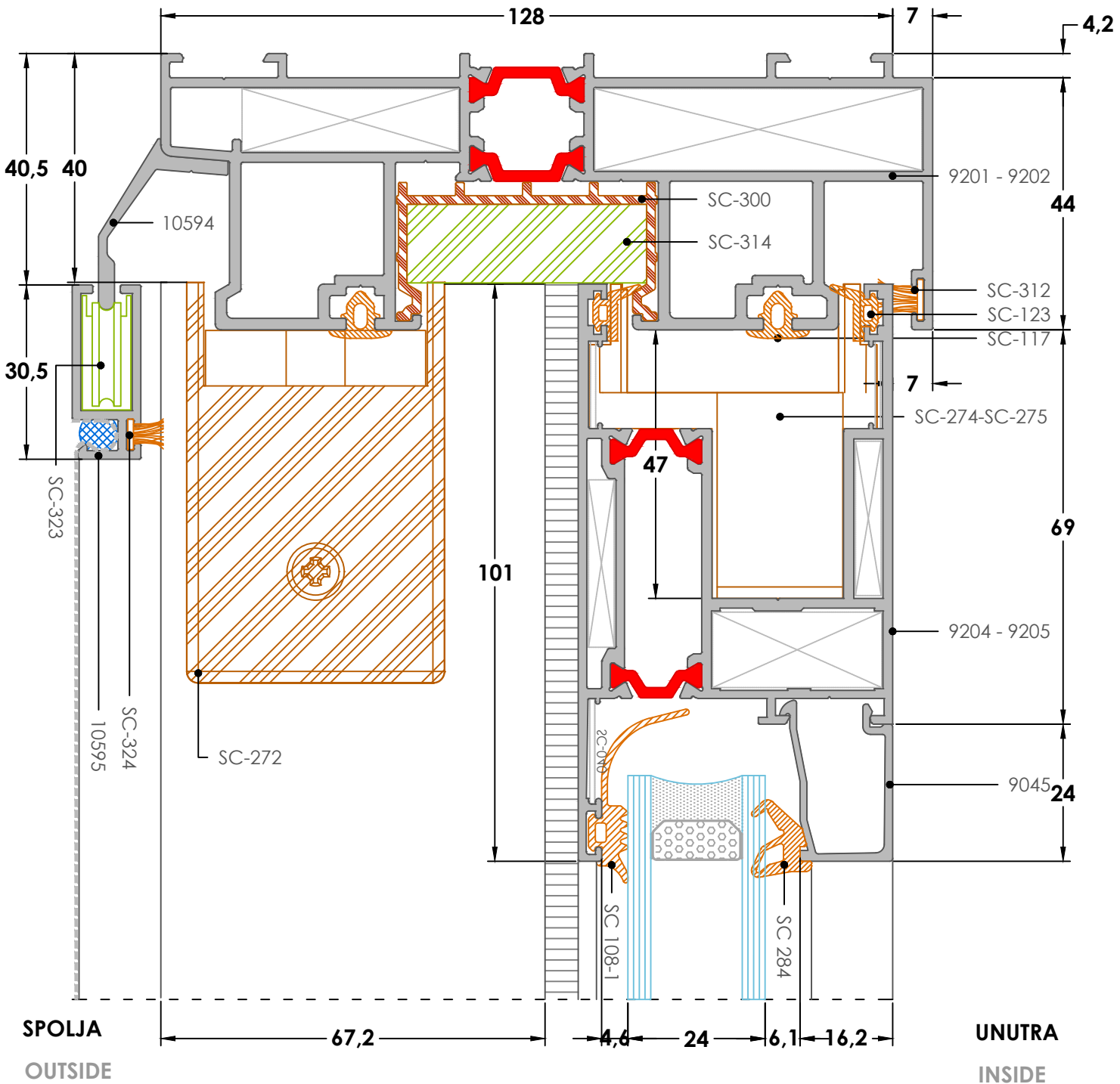
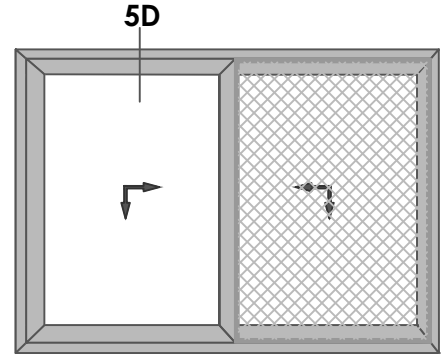
KOLIČINA porudžbine je minimalno 300 kg. / Minimum order quantity 300 kg

Težine su teoretske I svi profili se mere u trenutku isporuke. / Warning: The weights of profile is theoretical, weighting at the time of delivery are valid

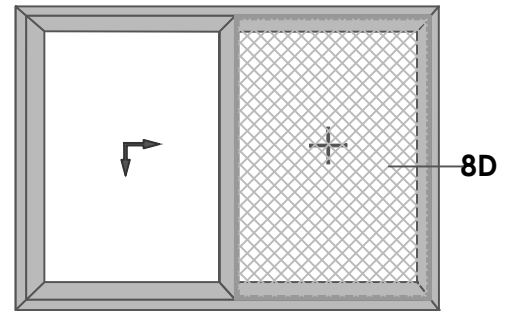
4D
Detalji-Detail



5D
Detalji-Detail

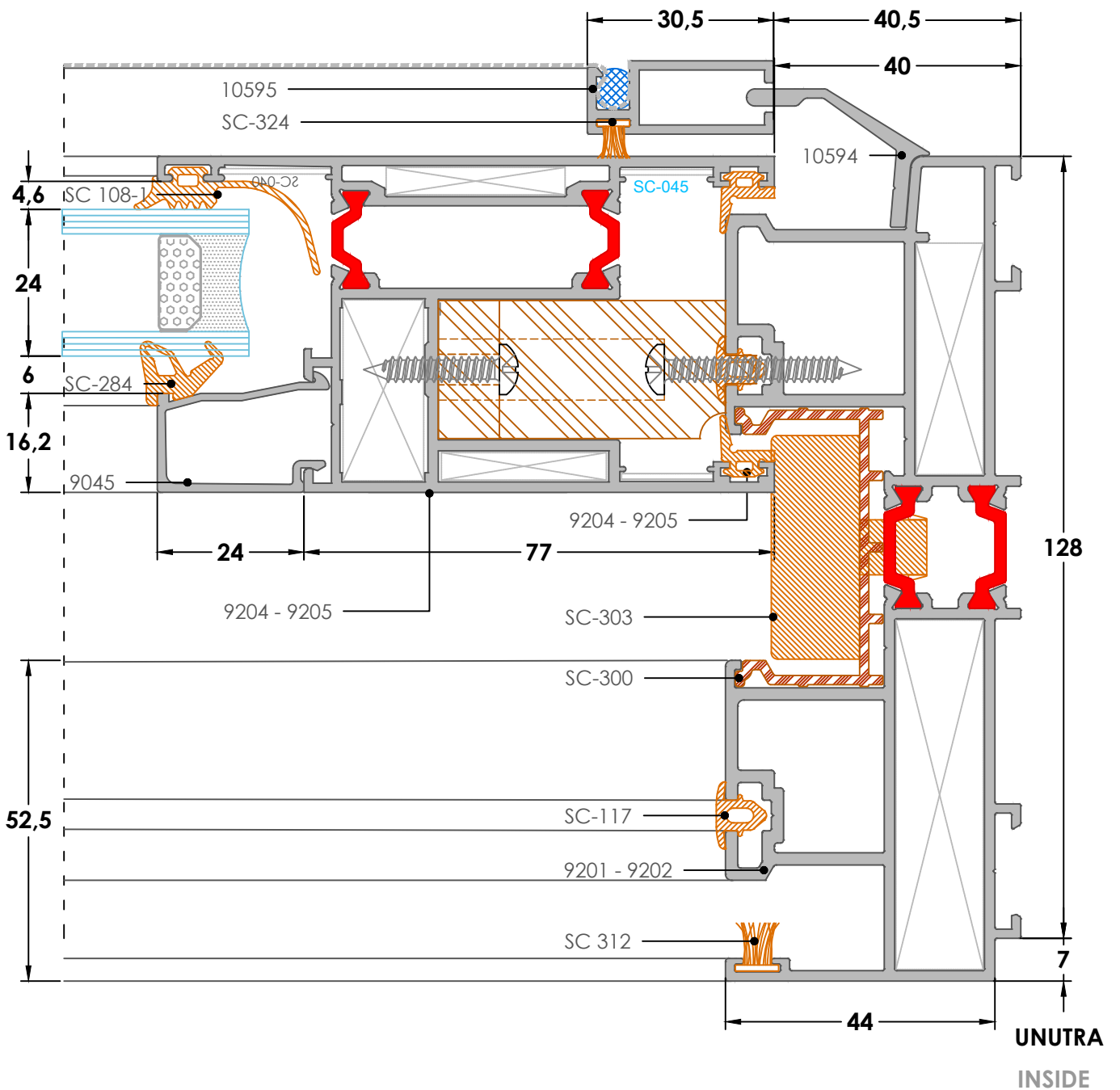


8D
Detalji-Detail



SPOLJA

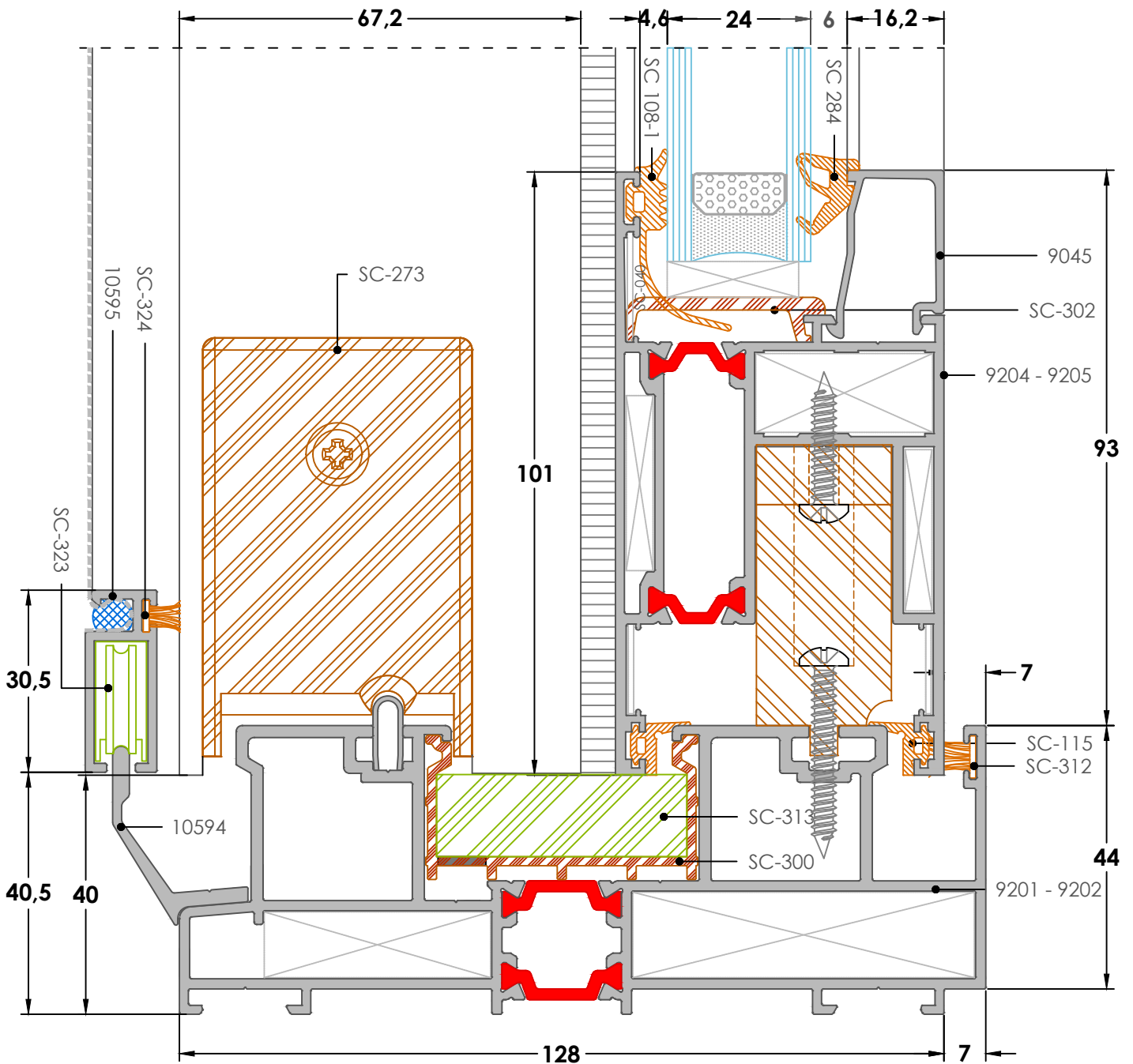
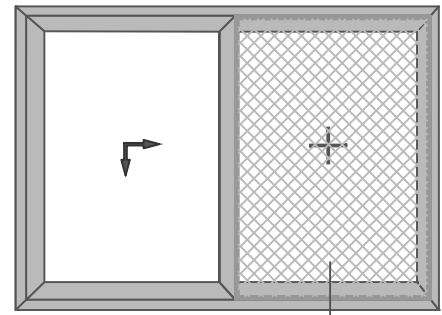
OUTSIDE



KOLIČINA porudžbine je minimalno 300 kg. / Minimum order quantity 300 kg

Težine su teoretske I svi profili se mere u trenutku isporuke. / Warning: The weights of profile is theoretical, weighting at the time of delivery are valid

9D
Detalji-Detail



SPOLJA

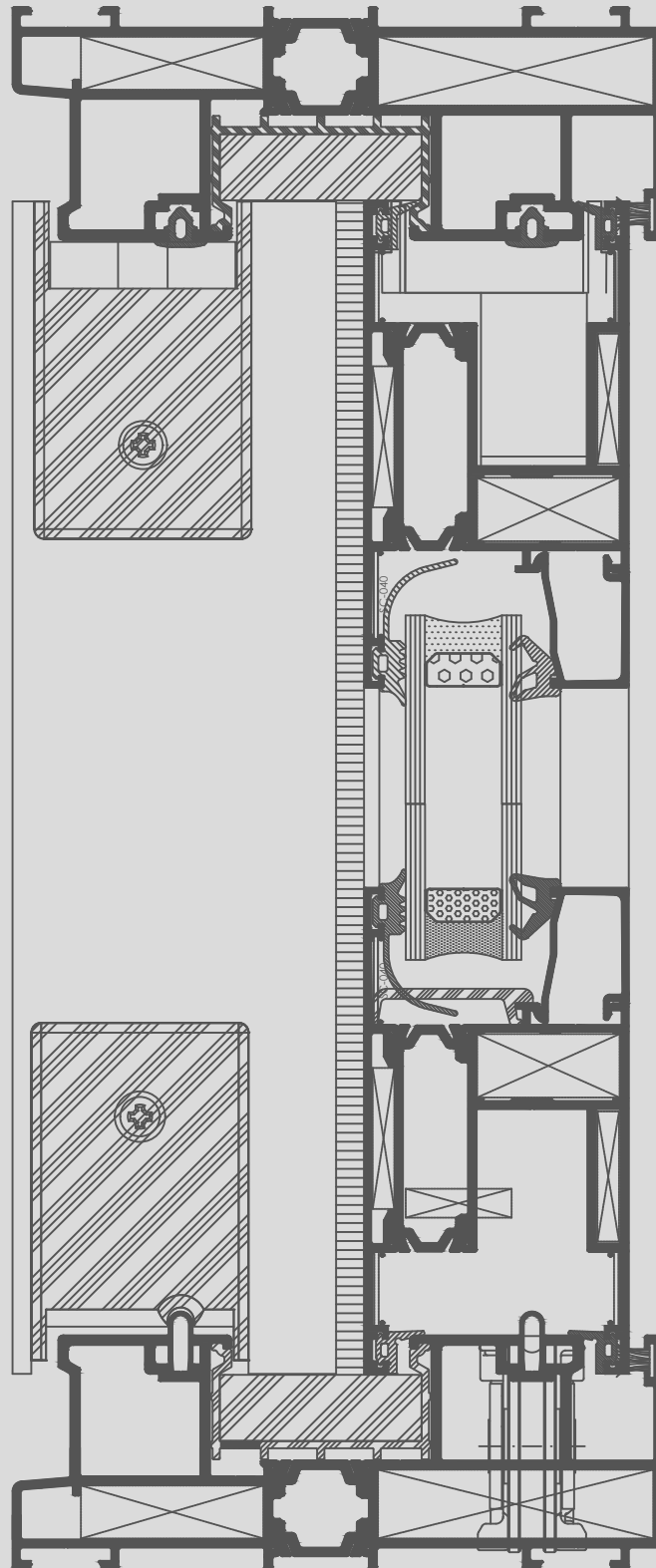
OUTSIDE

UNUTRA

INSIDE

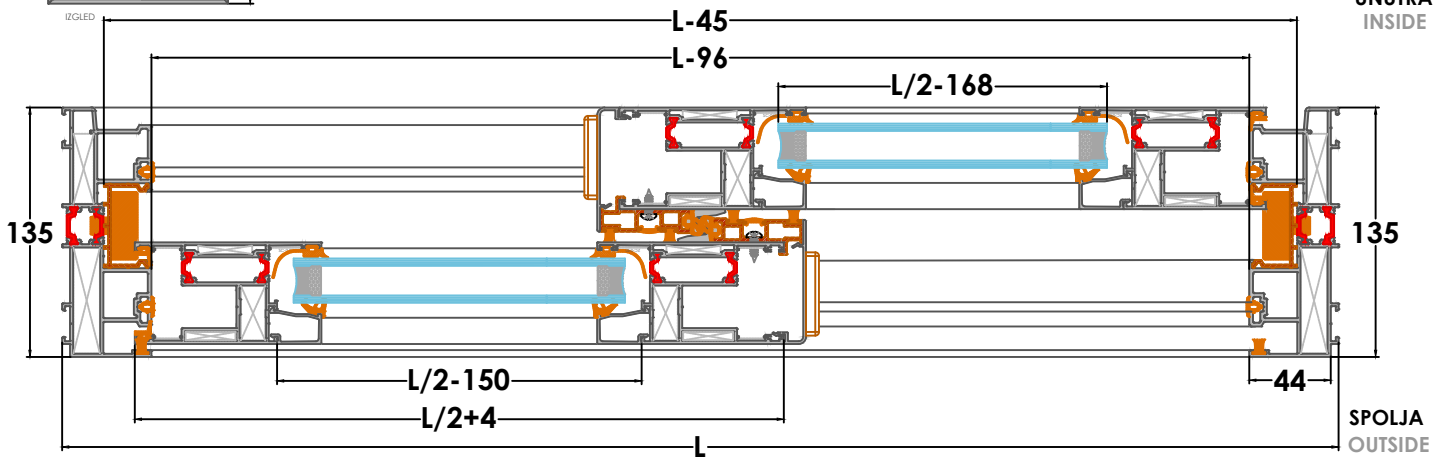
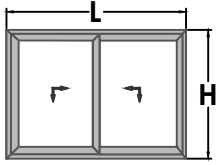
KOLIČINA porudžbine je minimalno 300 kg. / Minimum order quantity 300 kg

Težine su teoretske I svi profili se mere u trenutku isporuke. / Warning: The weights of profile is theoretical, weighting at the time of delivery are valid



**SSI 128 PODIZNO KLIZNI
FABRIČKE VELIČINE REZANJA**

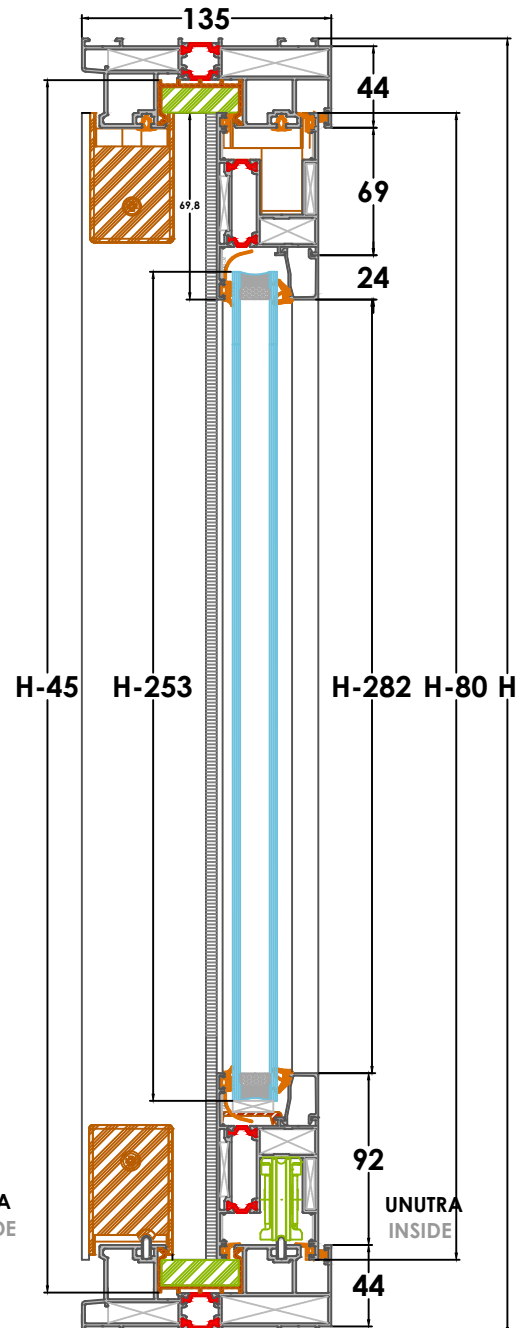
SSI 128 FABRICATION CUTTINGS SIZES



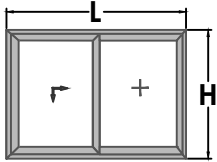
PROFILI / PROFILES				
KOLIČINA UNIT	ŠIFRA CODE	NAZIV DESCRIPTION	NAČIN SEČENJA CUTTING SIZE	UGAO SEČENJA CUTTING ANGLE
2	9202 / 9201	VERTIKALNI PROFIL ŠTOKA / VERTICAL FRAME	H	45°/45°
2	9202 / 9201	HORIZONTALNI PROFIL ŠTOKA / HORIZONTAL FRAME	L	45°/45°
4	9204 / 9205	VERTIKALNI PROFIL KRILA / VERTICAL VENT	H - 80	45°/45°
4	9204 / 9205	HORIZONTALNI PROFIL KRILA / HORIZONTAL VENT	L / 2 + 4	45°/45°
4	9045	STAKLO LAJSNA / GLAZING BEAD PROFILE	H - 282	90°/90°
4	9045	STAKLO LAJSNA / GLAZING BEAD PROFILE	L / 2 - 150	90°/90°
2	10591	POKLOPAC KRILA / SASH COVER PROFILE	H - 80	90°/90°
2	SC 330	PVC SPOJNI PROFIL/ PVC MULLION PROFILE	H - 80	90°/90°
2	SC 300	PVC ISPUNA KANALA PO HORIZONTALI / PVC U CHANNEL FOR FRAME	L - 45	45°/45°
2	SC 300	PVC ISPUNA KANALA PO VERTIKALI / PVC U CHANNEL FOR FRAME	H - 45	45°/45°
2	SC 310	INOX UMETAK VODILICE / STAINLESS TELL RAIL	L - 97	90°/90°

PRIBOR / ACCESSORIES		
KOLIČINA UNIT	ŠIFRA CODE	NAZIV / DESCRIPTION
4	SC-276	SPOJNICE ZA ŠTOK / FRAME CORNER BRACKET
4	SC-278	SPOJNICE ZA ŠTOK / FRAME CORNER BRACKET
8	SC-024	SPOJNICE ZA KRILLO / SASH CORNER WEDGE
8	SC-279	SPOJNICE ZA KRILLO / SASH CORNER WEDGE
8	SC-277	SPOJNICE ZA KRILLO / SASH CORNER WEDGE
8	SC-040	UGAONIK ZA KRILLO/ ALUMINUM CORNER ANGLE FOR SASH
16	SC-045	UGAONIK ZA KRILLO/ ALUMINUM CORNER ANGLE FOR SASH
3	SC-270	DRENAŽNI ČEP / WEEP HOLE CAP
1	SC-313	DONJI DIHTUNG SPOJA / BOTTOM TIGHTNESS PLUG FOR SINGLE TRACK RAIL
1	SC-314	GORNJI DIHTUNG SPOJA / TOP TIGHTNESS PLUG FOR SINGLE TRACK RAIL
4	SC-303	STOPER KRILA / BUMPER
4	SC-302	PODMETAČ ZA STAKLO / GLASS SUPPORT
2	SC-272	GORNJI ČEP POKLOPCA/ TOP CAP PLUG FOR INTERLOCK
2	SC-273	DONJI ČEP POKLOPCA/ BOTTOM CAP PLUG FOR INTERLOCK
2	SC-274	GORNJI ČEP KRILA / TOP INTERLOCK CORNER JOINT ASSEMBLY PVC BLOCK
2	SC-274	DONJI ČEP KRILA/ BOTTOM INTERLOCK CORNER JOINT ASSEMBLY PVC BLOCK
2	SC-275	GORNJI ČEP KRILA / TOP CAP PLUG FOR OUTSIDE-RIGHT SASH
2	SC-275	DONJI ČEP KRILA/ BOTTOM CAP PLUG FOR OUTSIDE-RIGHT SASH
8	SC-226	PRIHVATNIK / SIDE FIXATION BLOCK FOR FIXED SASH

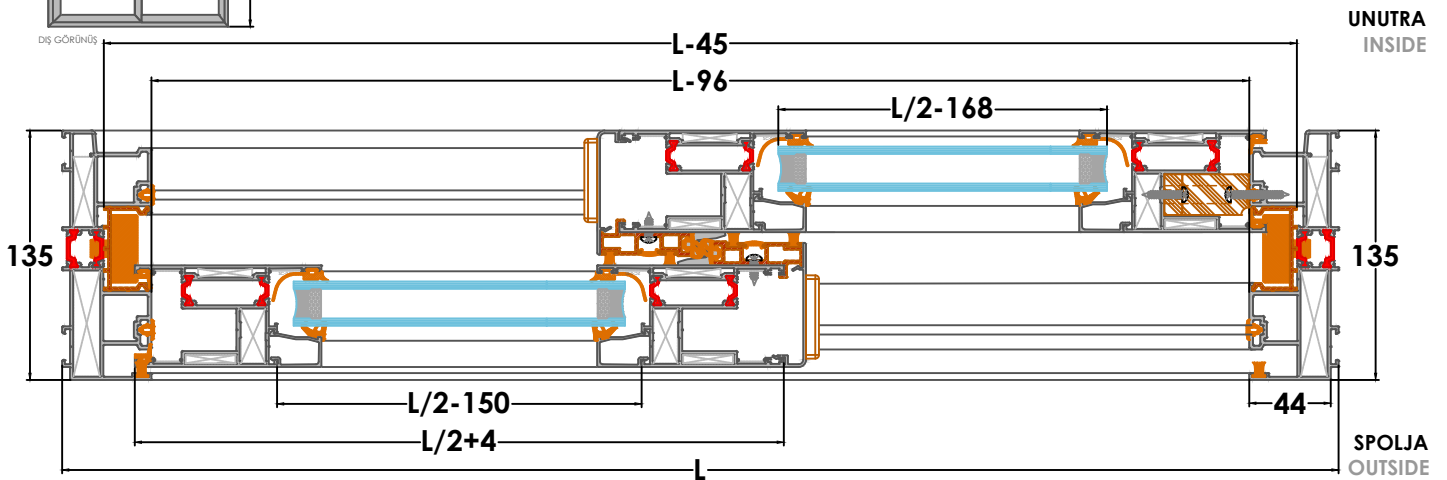
PRIBOR/ ACCESSORIES		
KOLIČINA UNIT	ŠIFRA CODE	NAZIV DESCRIPTION
4	SC-117	GUMA ZA KANAL / CHANNEL CLOSING GASKET
4	SC-115	GUMA KRILA DONJA I BOČNA OVERLAP GASKET
8	SC-284	GUMA NA LAJSNI / INTERIOR GLAZING GASKET
8	SC103-1	GUMA NA LAJSNI / EXTERIOR GLAZING GASKET
8	SC-312	GUMA NA PROFILU / BRUSH GASKET
8	SC317-1	DIHT ČETKICA / INTERLOCK GASKET
16	SC-123	GUMA KRILA GORNJA / EXTERIOR OVERLAP GASKET



Količina porudžbine je minimalno 300 kg. / Minimum order quantity 300 kg
Tezine su teoretske i svi profili se mere u trenutku isporuke / Warning: The weights of profile is theoretical, weighting at the time of delivery are valid



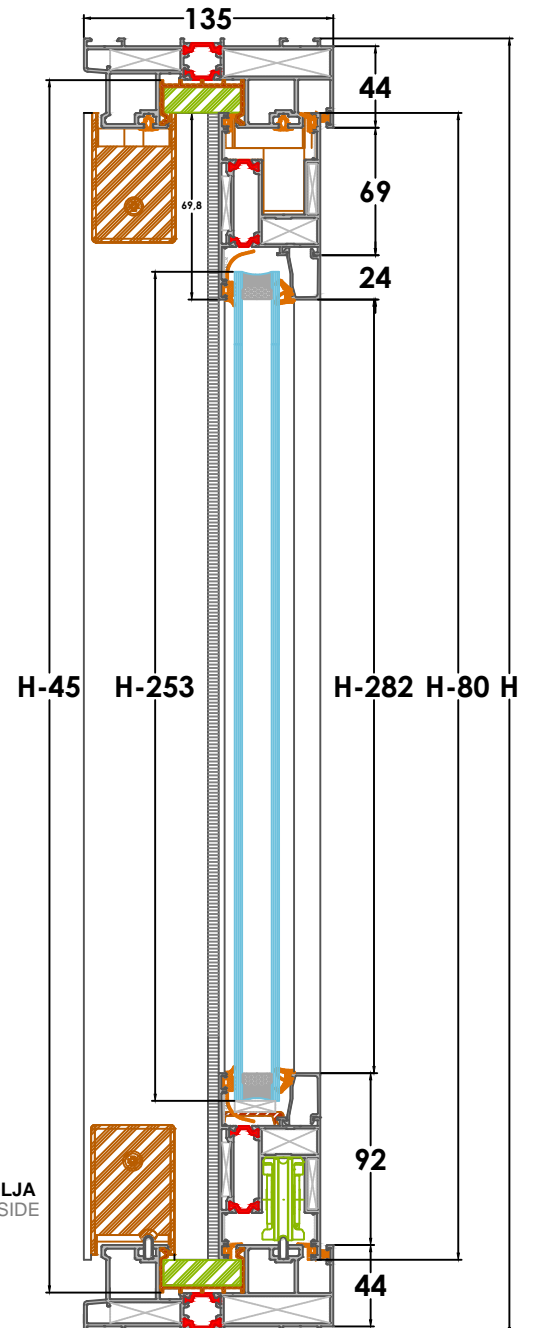
NAPOMENA : SVE ISTO KAO U TABLICI NA PRETHODNOJ STRANICI



PROFILI / PROFILES				
KOL UNIT	ŠIFRA CODE	NAZIV DESCRIPTION	NAČIN SEČENJA CUTTING SIZE	UGAO SEČENJA CUTTING ANGLE
2	9202 / 9201	VERTIKALNI PROFIL ŠTOKA / VERTICAL FRAME	H	45°/45°
2	9202 / 9201	HORIZONTALNI PROFIL ŠTOKA / HORIZONTAL FRAME	L	45°/45°
4	9204 / 9205	VERTIKALNI PROFIL KRILA / VERTICAL VENT	H - 80	45°/45°
4	9204 / 9205	HORIZONTALNI PROFIL KRILA / HORIZONTAL VENT	L / 2 + 4	45°/45°
4	9045	STAKLO LAJSNA / GLAZING BEAD PROFILE	H - 282	90°/90°
4	9045	STAKLO LAJSNA / CLAMP CAP PROFILE	L / 2 - 150	90°/90°
2	10591		H - 80	90°/90°
2	SC-330	PVC SPOLJNI PROFIL / PVC MULLION PROFILE	H - 80	90°/90°
2	SC-300	PVC ISPUNA KANALA PO HORIZONTALI / PVC U CHAN	L - 45	45°/45°
2	SC-300	PVC ISPUNA KANALA PO VERTIKALI / PVC U CHANN	H - 45	45°/45°
1	SC-310	INOX UMETAK VODILICE / STAINLESS TELL RAIL	L - 96	90°/90°

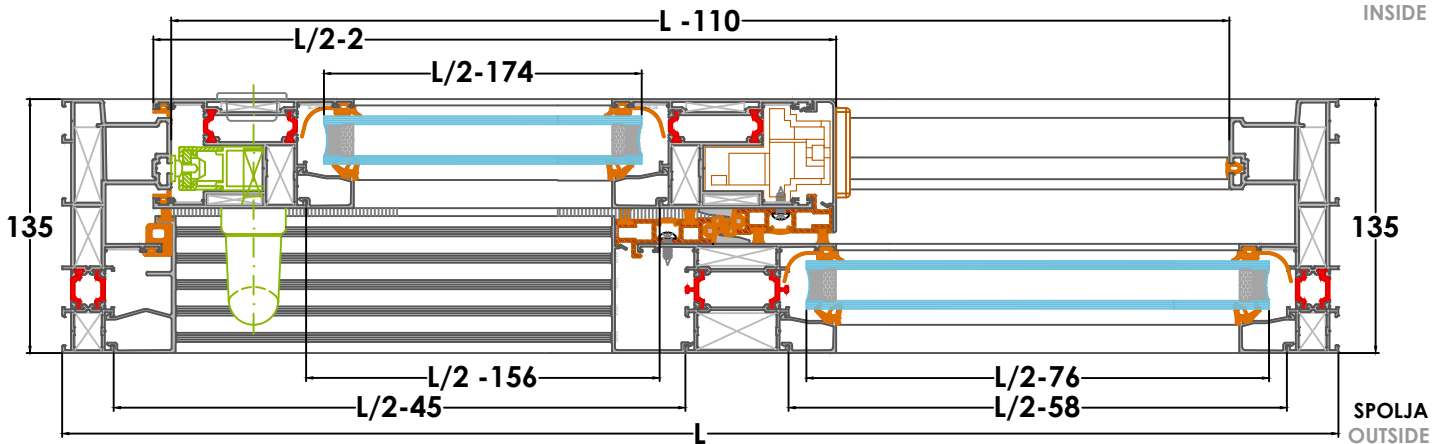
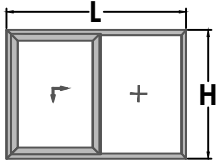
AKSESUARLAR / ACCESSORIES		
ADET UNIT	KOD CODE	NAZIV / DESCRIPTION
4	SC-276	SPOJNICE ZA ŠTOK / FRAME CORNER BRACKET
4	SC-278	SPOJNICE ZA ŠTOK / FRAME CORNER BRACKET
8	SC-024	SPOJNICE ZA KRILU / SASH CORNER WEDGE
8	SC-279	SPOJNICE ZA KRILU / SASH CORNER WEDGE
8	SC-277	SPOJNICE ZA KRILU / SASH CORNER WEDGE
8	SC-040	UGAONIK ZA KRILU / ALUMINUM CORNER ANGLE FOR SASH
16	SC-045	UGAONIK ZA KRILU / ALUMINUM CORNER ANGLE FOR SASH
3	SC-270	DRENAŽNI ČEP / WEEP HOLE CAP
1	SC-313	DONJI DIHTUNG SPOJA / BOTTOM TIGHTNESS PLUG FOR SINGLE TRACK RAIL
1	SC-314	GORNJI DIHTUNG SPOJA / TOP TIGHTNESS PLUG FOR SINGLE TRACK RAIL
4	SC-303	STOPER KRILA / BUMPER
4	SC-302	PODMETAČ ZA STAKLO / GLASS SUPPORT
2	SC-272	GORNJI ČEP POKLOPCA / TOP CAP PLUG FOR INTERLOCK
2	SC-273	DONJI ČEP POKLOPCA / BOTTOM CAP PLUG FOR INTERLOCK
2	SC-274	GORNJI ČEP KRILA / TOP INTERLOCK CORNER JOINT ASSEMBLY PVC BLOCK
2	SC-274	DONJI ČEP KRILA / BOTTOM INTERLOCK CORNER JOINT ASSEMBLY PVC BLOCK
2	SC-275	GORNJI ČEP KRILA / TOP CAP PLUG FOR OUTSIDE-RIGHT SASH
2	SC-275	GORNJI ČEP KRILA / BOTTOM CAP PLUG FOR OUTSIDE-RIGHT SASH
6	SC-325	NASLON FIKSNOG KRILA / FIXATION BLOCK FOR FIXED SASH
8	SC-226	PRIHVATNIK / ŠIDE FIXATION BLOCK FOR FIXED SASH

PRIBOR / ACCESSORIES		
KOL UNIT	ŠIFRA CODE	NAZIV DESCRIPTION
4	SC-117	GUMA ZA KANAL / CHANNEL CLOSING GASKET
4	SC-115	GUMA KRILA DONJA I BOČNA / OVERLAP GASKET
8	SC-284	GUMA NA LAJSNI / INTERIOR GLAZING GASKET
8	SC103-1	GUMA NA LAJSNI / EXTERIOR GLAZING GASKET
8	SC-312	GUMA NA PROFILU / BRUSH GASKET
8	SC317-1	DIHT ČETKICA / INTERLOCK GASKET
16	SC-123	GUMA KRILA GORNJA / EXTERIOR OVERLAP GASKET



Količina porudžbine je minimalno 300 kg. / Minimum order quantity 300 kg

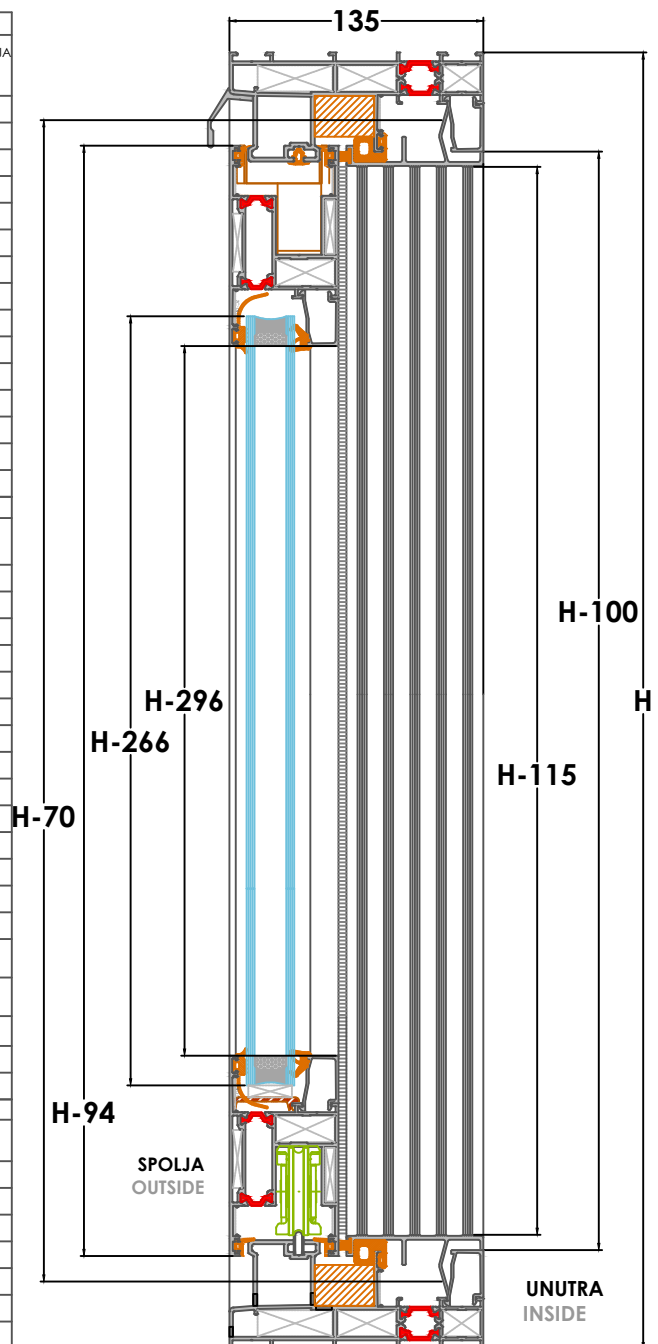
Težine su teoretske I svi profili se mere u trenutku isporuke. / Warning: The weights of profile is theoretical, weighting at the time of delivery are valid



PROFILI / PROFILES				
KOL. UNIT	ŠIFRA CODE	NAZIV DESCRIPTION	NAČIN SEČENJA CUTTING SIZE	UGAO SEČENJA CUTTING ANGLE
2	9200 / 9001	VERTIKALNI PROFIL ŠTOKA / VERTICAL FRAME	H	45°/45°
2	9200 / 9001	HORIZONTALNI PROFIL ŠTOKA / HORIZONTAL FRAME	L	45°/45°
2	9204 / 9205	VERTIKALNI PROFIL KRILA / VERTICAL VENT	H - 94	45°/45°
2	9204 / 9205	HORIZONTALNI PROFIL KRILA / HORIZONTAL VENT	L / 2 - 2	45°/45°
1	9009 / 9010	HORIZONTALNI PROFIL KRILA / HORIZONTAL VENT	H - 52	90°/90°
2	9045	STAKLO LAJSNA / GLAZING BEAD PROFILE	H - 296	90°/90°
2	9045	STAKLO LAJSNA / GLAZING BEAD PROFILE	L / 2 - 156	90°/90°
2	9045	STAKLO LAJSNA / INTERLOCK PROFILE	H - 100	90°/90°
2	9045	STAKLO LAJSNA / CLAMP CAP PROFILE	L / 2 - 58	90°/90°
1	10591	POKLOPAC KRILA / SASH COVER PROFILE	H - 94	90°/90°
2	SC.330	PVC SPOJNI PROFIL / PVC MULLION PROFILE	H - 94	90°/90°
2	9206	LAJSNA HORIZON. ŠTOKA / FRAME CLOSING PROFILE	L / 2 - 45	90°/90°
1	9206	LAJSNA HORIZON. ŠTOKA / FRAME CLOSING PROFILE	H - 115	90°/90°
1	10592	LAJSNA VERTIKALE ŠTOKA / FRAME CLOSING PROFILE	H - 115	90°/90°
1	SC.310	INOX UMETAK VODILICE / STAINLESS TELL RAIL	L - 110	90°/90°

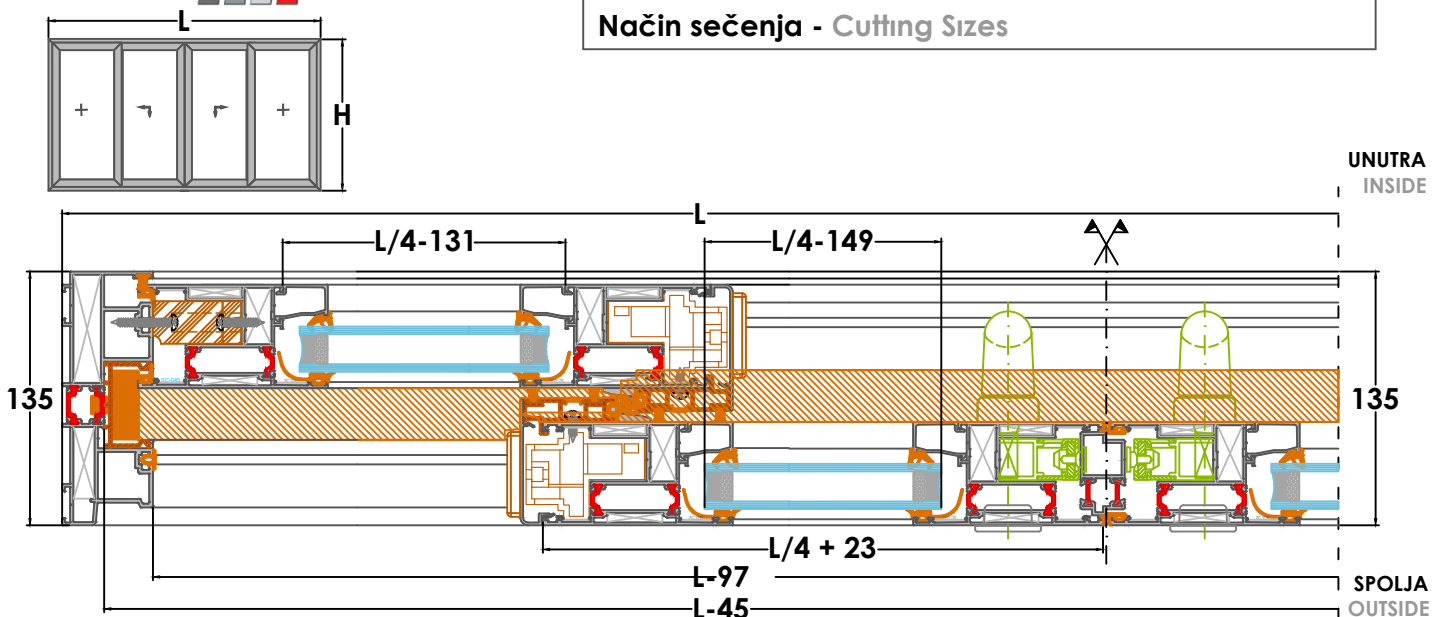
PRIBOR / ACCESSORIES		
KOL. UNIT	ŠIFRA CODE	NAZIV / DESCRIPTION
4	SC-003	SPOJNICE ZA ŠTOK / FRAME CORNER BRACKET
4	SC-024	SPOJNICE ZA ŠTOK / FRAME CORNER BRACKET
4	SC-025	SPOJNICE ZA KRILU / PVC INTERLOCK FOR SLIM SASH
4	SC-024	SPOJNICE ZA KRILU / SASH CORNER WEDGE
4	SC-279	SPOJNICE ZA KRILU / SASH CORNER WEDGE
4	SC-277	SPOJNICE ZA KRILU / SASH CORNER WEDGE
8	SC-040	UGAONIK ZA KRILU / ALUMINUM CORNER ANGLE FOR SASH
16	SC-045	UGAONIK ZA KRILU / ALUMINUM CORNER ANGLE FOR SASH
3	SC-270	DRENAŽNI ČEP / WEEP HOLE CAP
1	SC-306	DONJI DIHTUNG SPOJA / BOTTOM TIGHTNESS PLUG FOR SINGLE TRACK RAIL
1	SC-307	GORNJI DIHTUNG SPOJA / TOP TIGHTNESS PLUG FOR SINGLE TRACK RAIL
4	SC-302	PODMETAČ ZA STAKLA / GLASS SUPPORT
2	SC-272	GORNJI ČEP POKLOPCA / TOP CAP PLUG FOR INTERLOCK
2	SC-273	DONJI ČEP POKLOPCA / BOTTOM CAP PLUG FOR INTERLOCK
2	SC-274	GORNJI ČEP KRILA / TOP INTERLOCK CORNER JOINT ASSEMBLY PVC BLOCK
2	SC-274	DONJI ČEP KRILA / BOTTOM INTERLOCK CORNER JOINT ASSEMBLY PVC BLOCK
2	SC-275	GORNJI ČEP KRILA / TOP CAP PLUG FOR OUTSIDE-RIGHT SASH
2	SC-275	DONJI ČEP KRILA / BOTTOM CAP PLUG FOR OUTSIDE-RIGHT SASH
8	SC-226	PRIHVATNIK / SIDE FIXATION BLOCK FOR FIXED SASH

PRIBOR / ACCESSORIES		
KOL. UNIT	ŠIFRA CODE	NAZIV DESCRIPTION
4	SC-117	GUMA ZA KANAL / CHANNEL CLOSING GASKET
4	SC-115	GUMA KRILA DONJA I BOČNA / OVERLAP GASKET
8	SC-284	GUMA NA LAJSNI / INTERIOR GLAZING GASKET
8	SC103-1	GUMA NA LAJSNI / EXTERIOR GLAZING GASKET
8	SC-312	GUMA NA PROFILU / BRUSH GASKET
8	SC317-1	DIHT ČETKICA / INTERLOCK GASKET
16	SC-123	GUMA KRILA GORNJA / EXTERIOR OVERLAP GASKET



Količina porudžbine je minimalno 300 kg. / Minimum order quantity 300 kg

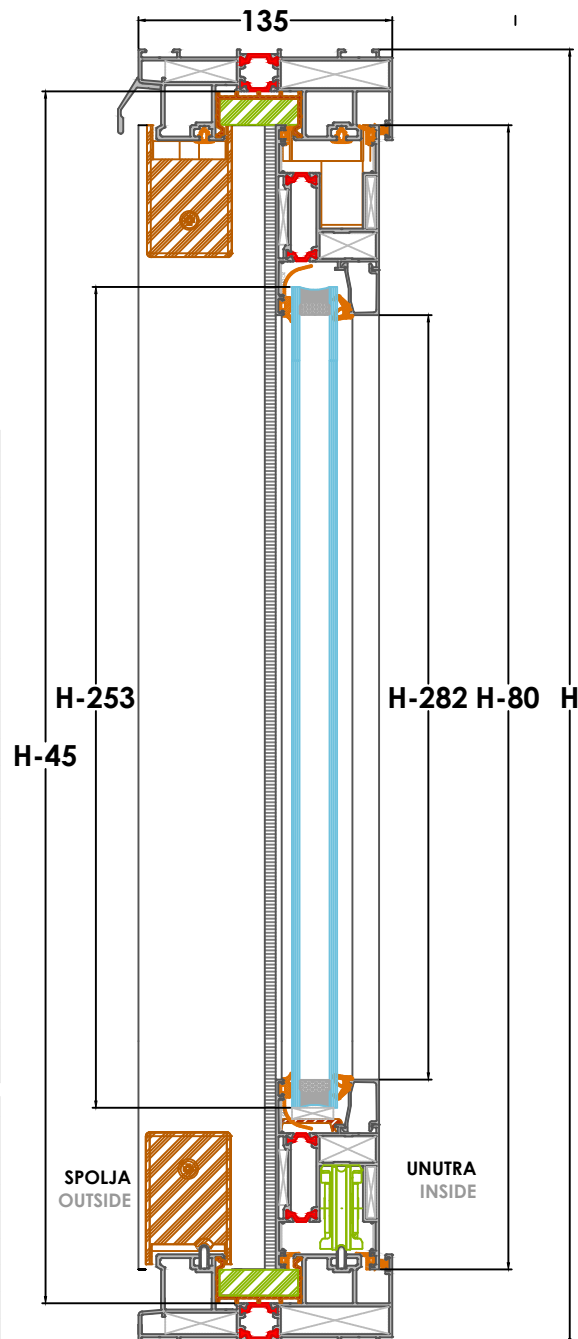
Težine su teoretske i svi profili se mere u trenutku isporuke. / Warning: The weights of profile is theoretical, weighting at the time of delivery are valid



PROFILI / PROFILES				
KOL. UNIT	ŠIFRA CODE	NAZIV DESCRIPTION	NAČIN SEČENJA CUTTING SIZE	UGAO SEČENJA CUTTING ANGLE
2	9200 / 9001	VERTIKALNI PROFIL ŠTOKA / VERTICAL FRAME	H	45°/45°
2	9200 / 9001	HORIZONTALNI PROFIL ŠTOKA / HORIZONTAL FRAME	L	45°/45°
8	9204 / 9205	VERTIKALNI PROFIL KRILA / VERTICAL VENT	H - 80	45°/45°
8	9204 / 9205	HORIZONTALNI PROFIL KRILA / HORIZONTAL VENT	L / 4 + 23	45°/45°
8	9045	STAKLO LAJSNA / GLAZING BEAD PROFILE	H - 282	90°/90°
8	9045	STAKLO LAJSNA / GLAZING BEAD PROFILE	L / 4 - 131	90°/90°
4	10591	POKLOPAC KRILA / SASH COVER PROFILE	H - 80	90°/90°
4	SC-330	PVC SPOLJNI PROFIL / PVC MULLION PROFILE	H - 80	90°/90°
2	SC-300	PVC ISPUNA KANALA PO HOR. / PVC U CHANNEL FOR FRAME	L - 45	45°/45°
2	SC-300	PVC ISPUNA KANALA PO VER. / PVC U CHANNEL FOR FRAME	H - 45	45°/45°
2	SC-310	INOX UMETAK VODILICE / GLAZING BEAD PROFILE	L - 97	90°/90°
1	9207/208	SREDNJA DOPUNA / SASH MULLION ADAPTER	H - 115	90°/90°

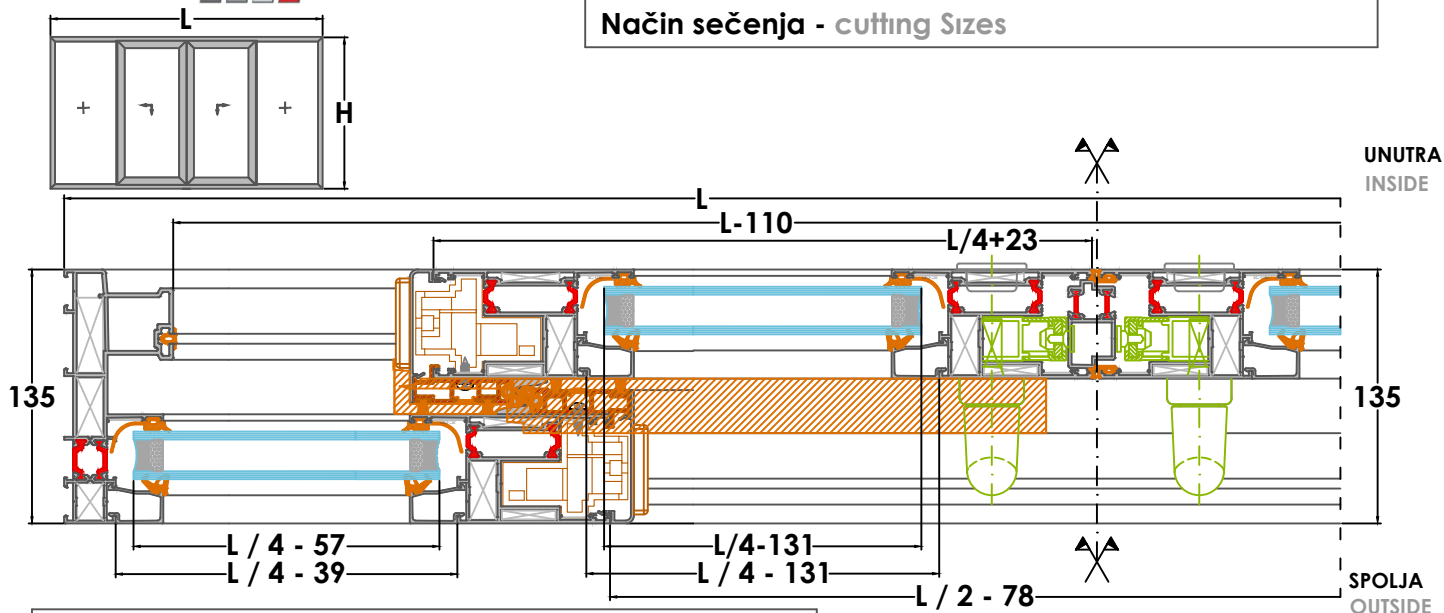
PRIBOR / ACCESSORIES		
KOL. UNIT	ŠIFRA CODE	NAZIV / DESCRIPTION
4	SC-276	SPOJNICE ZA ŠTOK / FRAME CORNER BRACKET
4	SC-278	SPOJNICE ZA ŠTOK / FRAME CORNER BRACKET
16	SC-024	SPOJNICA ZA KRILLO / SASH CORNER WEDGE
16	SC-279	SPOJNICA ZA KRILLO / SASH CORNER WEDGE
16	SC-277	SPOJNICA ZA KRILLO / SASH CORNER WEDGE
16	SC-040	UGAONIK ZA KRILLO / ALUMINUM CORNER ANGLE FOR SASH
32	SC-045	UGAONIK ZA KRILLO / ALUMINUM CORNER ANGLE FOR SASH
8	SC-270	DRENAŽNI ČEP / WEEP HOLE CAP
3	SC-313	DONJI DIHTUNG SPOJA / BOTTOM TIGHTNESS PLUG FOR SINGLE TRACK RAIL
3	SC-314	GORNJI DIHTUNG SPOJA / TOP TIGHTNESS PLUG FOR SINGLE TRACK RAIL
4	SC-303	STOPER KRILA / BUMPER
8	SC-302	PODMETAČ ZA STAKLO / GLASS SUPPORT
4	SC-272	GORNJI ČEP POKLOPCA / TOP CAP PLUG FOR INTERLOCK
4	SC-273	DONJI ČEP POKLOPCA / BOTTOM CAP PLUG FOR INTERLOCK
4	SC-274	GORNJI ČEP KRILA / TOP INTERLOCK CORNER JOINT ASSEMBLY PVC BLOCK
4	SC-274	DONJI ČEP KRILA / BOTTOM INTERLOCK CORNER JOINT ASSEMBLY PVC BLOCK
4	SC-275	GORNJI ČEP KRILA / TOP CAP PLUG FOR OUTSIDE-RIGHT SASH
4	SC-275	DONJI ČEP KRILA / BOTTOM CAP PLUG FOR OUTSIDE-RIGHT SASH
12	SC-325	NASLON FIKSNOG KRILA / FIXATION BLOCK FOR FIXED SASH
2	SC-304	ČEP SREDNJE DOPUNE / ADAPTER PROFILE COVER
16	SC-226	PRIHVATNIK / SIDE FIXATION BLOCK FOR FIXED SASH

PRIBOR / ACCESSORIES		
KOL. UNIT	ŠIFRA CODE	NAZIV DESCRIPTION
4	SC-117	GUMA ZA KANAL / CHANNEL CLOSING GASKET
4	SC-115	GUMA KRILA DONJA I BOČNA / OVERLAP GASKET
8	SC-284	GUMA NA LAJSNI / INTERIOR GLAZING GASKET
8	SC103-1	GUMA NA LAJSNI / EXTERIOR GLAZING GASKET
8	SC-312	GUMA NA PROFILU / BRUSH GASKET
8	SC317-1	DIHT ČETKICA / INTERLOCK GASKET
16	SC-123	GUMA KRILA GORNJA / EXTERIOR OVERLAP GASKET

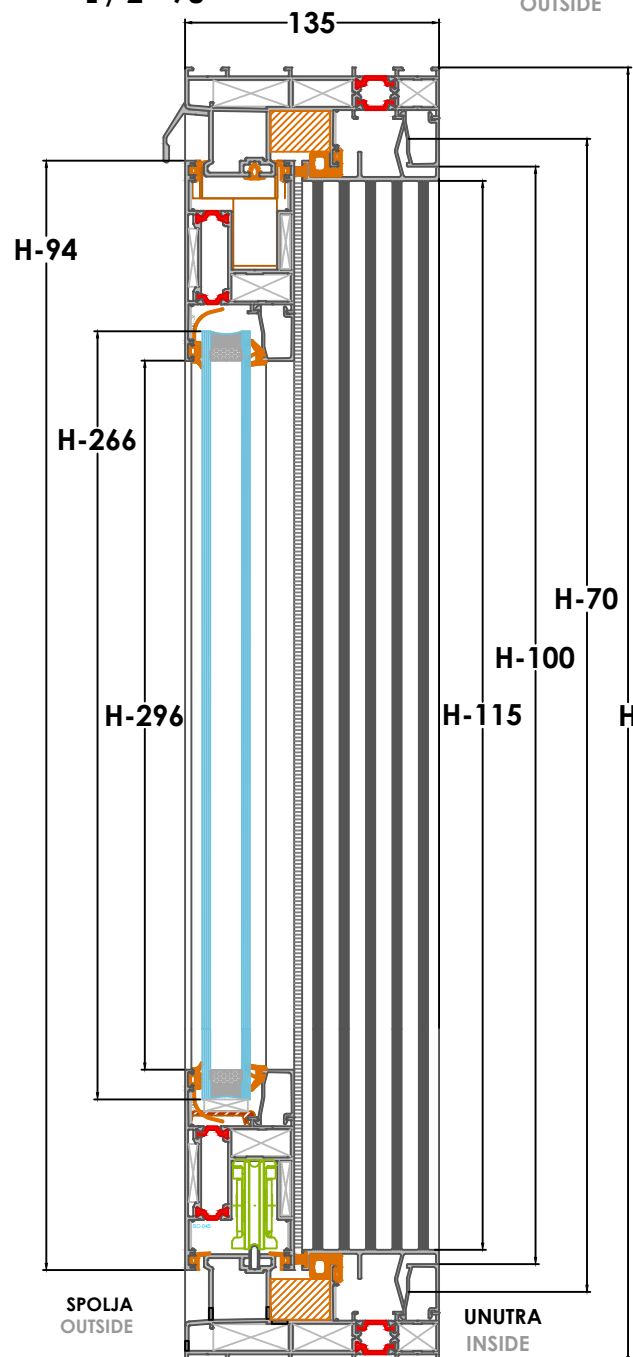


Količina porudžbine je minimalno 300 kg. / Minimum order quantity 300 kg

Težine su teoretske I svi profili se mere u trenutku isporuke. / Warning: The weights of profile is theoretical, weighting at the time of delivery are valid

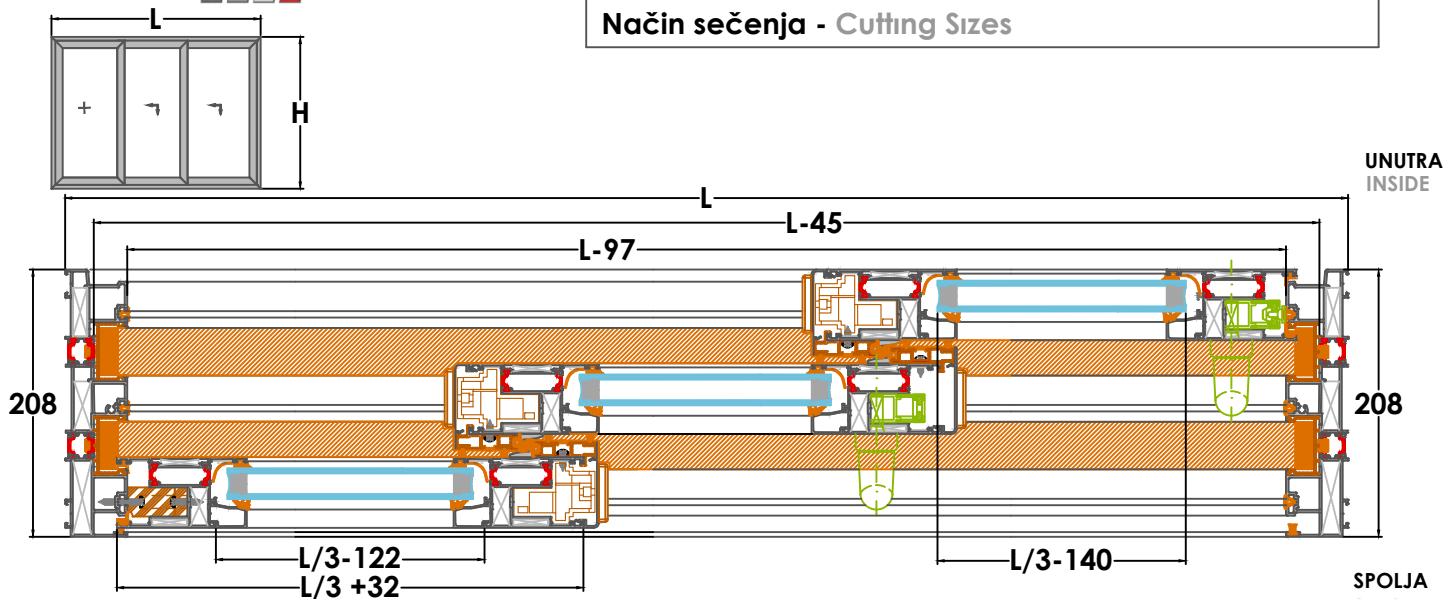


PROFILI / PROFILES				
KOL UNIT	ŠIFRA CODE	NAZIV DESCRIPTION	NAČIN SEČENJA CUTTING SIZE	UGAO SEČENJA CUTTING ANGLE
2	9200-9001	VERTIKALNI PROFIL ŠTOKA / VERTICAL FRAME	H	45°/45°
2	9200-9001	HORIZONTALNI PROFIL ŠTOKA / HORIZONTAL FRAME	L	45°/45°
4	9204-9205	VERTIKALNI PROFIL KRILA / VERTICAL VENT	H - 94	45°/45°
4	9204-9205	HORIZONTALNI PROFIL KRILA / HORIZONTAL VENT	L / 4 + 23	45°/45°
2	9009-9010	HORIZONTALNI PROFIL KRILA / HORIZONTAL VENT	H - 52	90°/90°
4	9045	STAKLO LAJSNA / GLAZING BEAD PROFILE	H - 266	90°/90°
4	9045	STAKLO LAJSNA / GLAZING BEAD PROFILE	L / 4 - 131	90°/90°
4	9045	STAKLO LAJSNA / INTERLOCK PROFILE	H - 100	90°/90°
4	9045	STAKLO LAJSNA / INTERLOCK PROFILE	L / 4 - 39	90°/90°
2	10591	POKLOPAC KRILA / SASH COVER PROFILE	H - 94	90°/90°
4	SC-330	PVC SPOJNI PROFIL / PVC MULLION PROFILE	H - 94	90°/90°
2	9206	LAJSNA HORIZON. ŠTOKA / FRAME CLOSING PROFILE	L / 2 - 78	90°/90°
2	10592	LAJSNA VERTIKALE ŠTOKA / FRAME CLOSING PROFILE	H - 115	90°/90°
1	SC-310	INOX UMETAK VODILICE / STAINLESS TELL RAIL	L - 110	90°/90°
1		CENTRALNI ADAPTER KRILA / SASH MULLION ADAPTER	H - 168	90°/90°
PRIBOR / ACCESSORIES				
ADET UNIT	ŠIFRA CODE	NAZIV / DESCRIPTION		
4	SC-003	SPOJNICE ZA ŠTOK / window and door corner brace		
4	SC-024	SPOJNICE ZA ŠTOK / window and door corner brace		
4	SC-025	SPOJNICE ZA ŠTOK / window and door corner brace		
8	SC-024	SPOJNICE ZA KRILO / SASH CORNER WEDGE		
8	SC-279	SPOJNICE ZA KRILO / SASH CORNER WEDGE		
8	SC-277	SPOJNICE ZA KRILO / SASH CORNER WEDGE		
12	SC-040	UGAONIK ZA KRILO / ALUMINUM CORNER ANGLE FOR SASH		
16	SC-045	UGAONIK ZA KRILO / ALUMINUM CORNER ANGLE FOR SASH		
8	SC-270	DRENAŽNI ČEP / WEEP HOLE CAP		
3	SC-306	DONJI DIHTUNG SPOJA / BOTTOM TIGHTNESS PLUG FOR SINGLE TRACK RAIL		
3	SC-307	GORNJI DIHTUNG SPOJA / TOP TIGHTNESS PLUG FOR SINGLE TRACK RAIL		
8	SC-302	PODMETAČ ZA STAKLO / GLASS SUPPORT		
2	SC-272	GORNJI ČEP POKLOPACA / TOP CAP PLUG FOR INTERLOCK		
2	SC-273	DONJI ČEP POKLOPACA / BOTTOM CAP PLUG FOR INTERLOCK		
2	SC-274	GORNJI ČEP KRILA / TOP INTERLOCK CORNER JOINT ASSEMBLY PVC		
2	SC-274	DONJI ČEP KRILA / BOTTOM INTERLOCK CORNER JOINT ASSEMBLY PVC BLOCK		
2	SC-275	GORNJI ČEP KRILA / TOP CAP PLUG FOR OUTSIDE-RIGHT SASH		
2	SC-275	DONJI ČEP KRILA / BOTTOM CAP PLUG FOR OUTSIDE-RIGHT SASH		
2	SC-304	ČEP SREDNJE DOPUNE / ADAPTER PROFILE COVER		
16	SC-226	PRIHVATNIK / SIDE FIXATION BLOCK FOR FIXED SASH		
PRIBOR / ACCESSORIES				
KOL UNIT	ŠIFRA CODE	NAZIV DESCRIPTION		
4	SC-117	GUMA ZA KANAL / CHANNEL CLOSING GASKET		
4	SC-115	GUMA KRILA DONJA I BOČNA / OVERLAP GASKET		
8	SC-284	GUMA NA LAJSNI / INTERIOR GLAZING GASKET		
8	SC103-1	GUMA NA PROFILU / EXTERIOR GLAZING GASKET		
8	SC-312	DIHT ČETKICA / BRUSH GASKET		
8	SC317-1	SREDNJA GUMA / INTERLOCK GASKET		
16	SC-123	GUMA KRILA GORNJA / EXTERIOR OVERLAP GASKET		



Količina porudžbine je minimalno 300 kg. / Minimum order quantity 300 kg

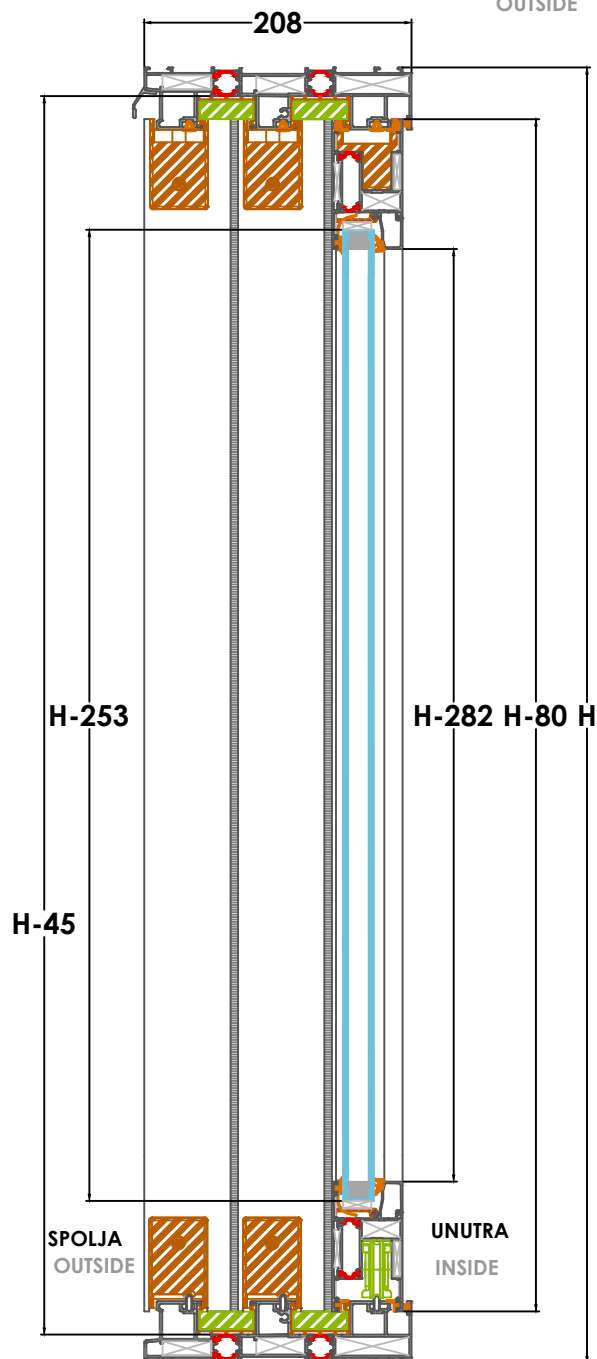
Upozorenje: Naši profili težine su teoretski; Naša skala u trenutku isporuke važi. / Warning: The weights of profile is theoretical, weighting at the time of delivery are valid



PROFILI/ PROFILES				
KOL UNIT	ŠIFRA CODE	NAZIV DESCRIPTION	NAČIN SEČENJA CUTTING SIZE	UGAO SEČENJA CUTTING ANGLE
2	9202 / 9212 / 9201	VERTIKALNI PROFIL ŠTOKA / VERTICAL FRAME	H	45°/45°
2	9202 / 9212 / 9201	HORIZONTALNI PROFIL ŠTOKA / HORIZONTAL FRAME	L	45°/45°
6	9204 / 9205	VERTIKALNI PROFIL KRILA / VERTICAL VENT	H - 80	45°/45°
6	9204 / 9205	HORIZONTALNI PROFIL KRILA / HORIZONTAL VENT	L / 3 + 32	45°/45°
6	9045	STAKLO LAJSNA / GLAZING BEAD PROFILE	H - 286	90°/90°
6	9045	STAKLO LAJSNA / GLAZING BEAD PROFILE	L / 3 - 122	90°/90°
4	10591	POKLOPAC KRILA / SASH COVER PROFILE	H - 80	90°/90°
4	SC 330	PVC SPOJNI PROFIL / PVC MULLION PROFILE	H - 80	90°/90°
2	SC 300	PVC ISPUNA KANALA PO HOR. / PVC U CHANNEL FOR FRAME	H - 45	45°/45°
2	SC 300	PVC ISPUNA KANALA PO VER. / PVC U CHANNEL FOR FRAME	H - 45	45°/45°
3	SC 310	INOX UMETAK VODILICE / STAINLESS TELL RAIL	L - 97	90°/90°

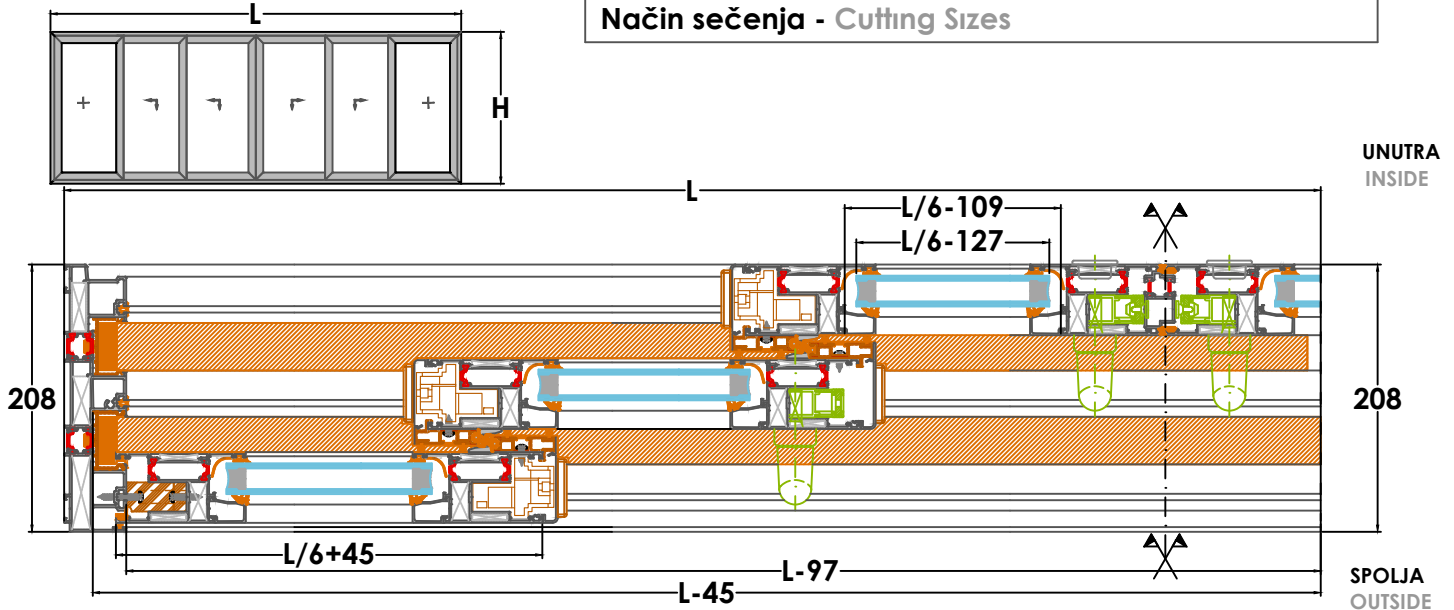
PRIBOR/ ACCESSORIES		
KOL UNIT	ŠIFRA CODE	NAZIV / DESCRIPTION
4	SC-276	SPOJNICA ZA ŠTOK / FRAME CORNER BRACKET
4	SC-278	SPOJNICA ZA ŠTOK / FRAME CORNER BRACKET
4	SC-025	SPOJNICE ZA KRILU / PVC INTERLOCK FOR SLIM SASH
12	SC-024	SPROJNICE ZA KRILU / SASH CORNER WEDGE
12	SC-279	SPOJNICE ZA KRILU / SASH CORNER WEDGE
12	SC-277	SPOJNICE ZA KRILU / SASH CORNER WEDGE
12	SC-040	UGAONIK ZA KRILU / ALUMINUM CORNER ANGLE FOR SASH
24	SC-045	UGAONIK ZA KRILU / ALUMINUM CORNER ANGLE FOR SASH
6	SC-270	DRENAŽNI ČEP / WEEP HOLE CAP
2	SC-313	DONJI DIHTUNG SPOJA / BOTTOM TIGHTNESS PLUG FOR SINGLE TRACK RAIL
2	SC-314	GORNJI DIHTUNG SPOJA / TOP TIGHTNESS PLUG FOR SINGLE TRACK RAIL
4	SC-303	STOPER KRILA / BUMPER
6	SC-302	PODMETAČ ZA STAKLO / GLASS SUPPORT
4	SC-272	GORNJI ČEP POKLOPCA / TOP CAP PLUG FOR INTERLOCK
4	SC-273	DONJI ČEP POKLOPCA / BOTTOM CAP PLUG FOR INTERLOCK
4	SC-274	GORNJI ČEP KRILA / TOP INTERLOCK CORNER JOINT ASSEMBLY PVC BLOCK
4	SC-274	DONJI ČEP KRILA / BOTTOM INTERLOCK CORNER JOINT ASSEMBLY PVC BLOCK
4	SC-275	GORNJI ČEP KRILA / TOP CAP PLUG FOR OUTSIDE-RIGHT SASH
4	SC-275	DONJI ČEP KRILA / BOTTOM CAP PLUG FOR OUTSIDE-RIGHT SASH
6	SC-325	NASLON FIKSNOG KRILA / FIXATION BLOCK FOR FIXED SASH
16	SC-226	PRIVATNIK / SIDE FIXATION BLOCK FOR FIXED SASH

PRIBOR/ ACCESSORIES		
KOL UNIT	ŠIFRA CODE	NAZIV DESCRIPTION
4	SC-117	GUMA ZA KANAL / CHANNEL CLOSING GASKET
4	SC-115	GUMA KRILA DONJA I BOČNA / OVERLAP GASKET
8	SC-284	GUMA NA LAJSNI / INTERIOR GLAZING GASKET
8	SC103-1	GUMA NA PROFILU / EXTERIOR GLAZING GASKET
8	SC-312	DIHT ČETKICA / BRUSH GASKET
8	SC317-1	SREDNJA GUMA / INTERLOCK GASKET
16	SC-123	DGUMA KRILA GORNJA / EXTERIOR OVERLAP GASKET



Količina porudžbine je minimalno 300 kg. / Minimum order quantity 300 kg

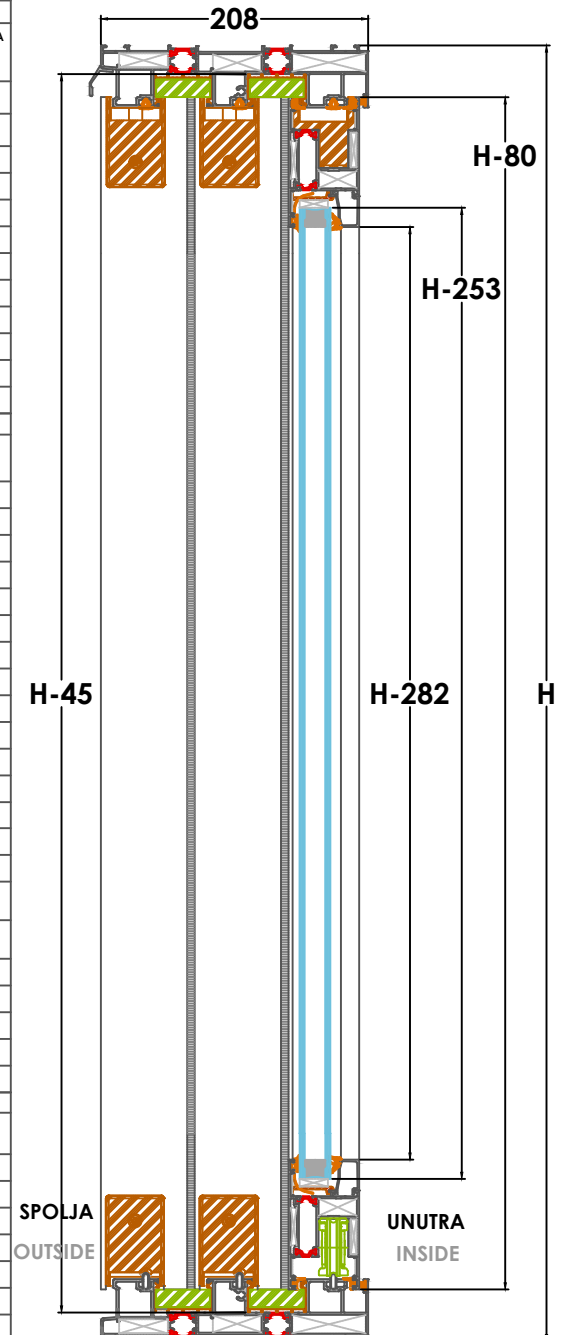
Težine su teoretske I svi profili se mere u trenutku isporuke. /Warning: The weights of profile is theoretical, weighting at the time of delivery are valid



PROFILI / PROFILES				
KOL. UNIT	ŠIFRA CODE	NAZIV DESCRIPTION	NAČIN SEČENJA CUTTING SIZE	UGAO SEČENJA CUTTING ANGLE
2	9202 / 9212 / 9201	VERTIKALNI PROFIL ŠTOKA / VERTICAL FRAME	H	45°/45°
2	9202 / 9212 / 9201	HORIZONTALNI PROFIL ŠTOKA / HORIZONTAL FRAME	L	45°/45°
12	9204 / 9205	VERTIKALNI PROFIL KRILA / VERTICAL VENT	H - 80	45°/45°
12	9204 / 9205	HORIZONTALNI PROFIL KRILA / HORIZONTAL VENT	L / 6 + 45	45°/45°
12	9045	STAKLO LAJSNA / GLAZING BEAD PROFILE	H - 286	90°/90°
12	9045	STAKLO LAJSNA / GLAZING BEAD PROFILE	L / 6 - 109	90°/90°
8	10591	POKLOPAC KRILA / SASH COVER PROFILE	H - 80	90°/90°
8	SC 330	PVC SPOLJNI PROFIL / PVC MULLION PROFILE	H - 80	90°/90°
2	SC 300	PVC ISPUNA KANALA PO HOR. / PVC U CHANNEL FOR FRAME	L - 45	45°/45°
2	SC 300	PVC ISPUNA KANALA PO VERT. / PVC U CHANNEL FOR FRAME	H - 45	45°/45°
3	SC 310	INOX UMETAK VODILICE / STAINLESS TELL RAIL	L - 97	90°/90°
1	9207 / 9208	SREDNJA DOPUNA / SASH MULLION ADAPTER	H - 155	90°/90°

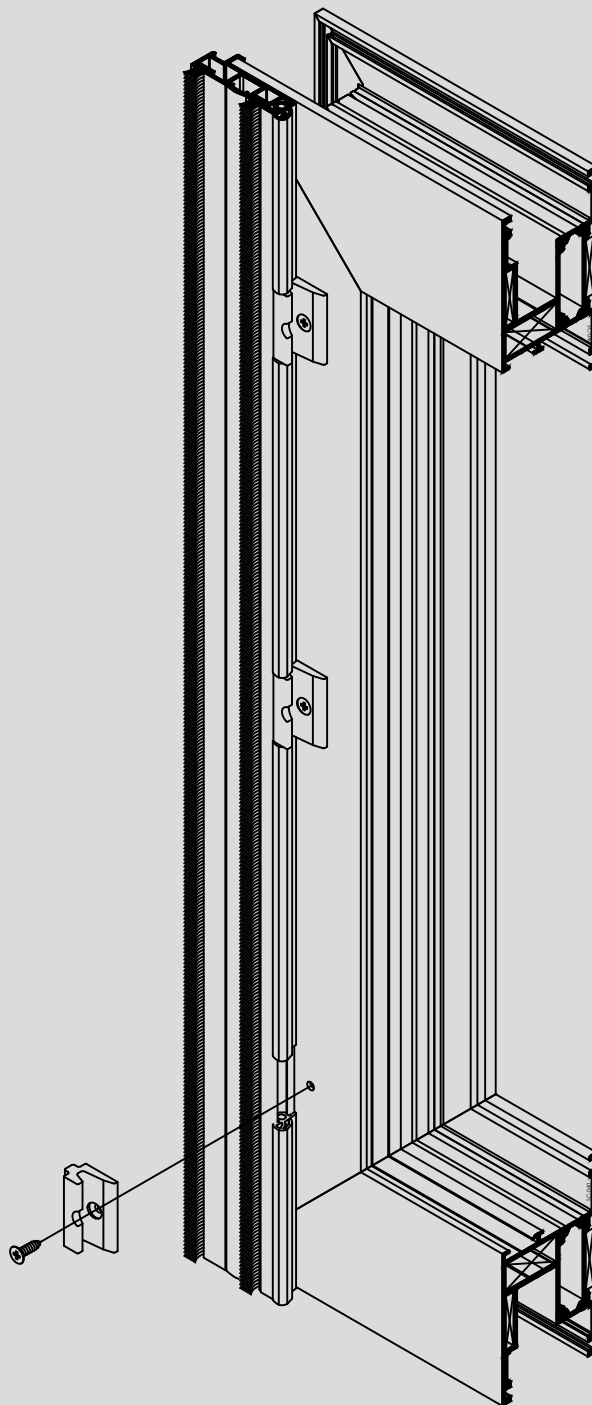
PRIBOR / ACCESSORIES				
KOL. UNIT	ŠIFRA CODE	NAZIV DESCRIPTION		
4	SC-276	SPOJNICA ZA ŠTOK / FRAME CORNER BRACKET		
4	SC-278	SPOJNICA ZA ŠTOK / FRAME CORNER BRACKET		
4	SC-025	SPOJNICA ZA KRILO / PVC INTERLOCK FOR SLIM SASH		
24	SC-024	SPOJNICA ZA KRILO / PVC INTERLOCK FOR SLIM SASH		
24	SC-279	SPOJNICA ZA KRILO / PVC INTERLOCK FOR SLIM SASH		
24	SC-277	SPOJNICA ZA KRILO / PVC INTERLOCK FOR SLIM SASH		
24	SC-040	UGAONIK ZA KRILO / ALUMINUM CORNER ANGLE FOR SASH		
48	SC-045	UGAONIK ZA KRILO / ALUMINUM CORNER ANGLE FOR SASH		
12	SC-270	DRENAŽNI ČEP / WEEP HOLE CAP		
5	SC-313	DONJI DIHTUNG SPOJA / BOTTOM TIGHTNESS PLUG FOR SINGLE TRACK RAIL		
5	SC-314	GORNJI DIHTUNG SPOJA / TOP TIGHTNESS PLUG FOR SINGLE TRACK RAIL		
4	SC-303	STOPER KRILA / BUMPER		
12	SC-302	PODMETAČ ZA STAKLO / GLASS SUPPORT		
8	SC-272	GORNJI ČEP POKLOPCA / TOP CAP PLUG FOR INTERLOCK		
8	SC-273	DONJI ČEP POKLOPCA / BOTTOM CAP PLUG FOR INTERLOCK		
6	SC-274	GORNJI ČEP KRILA / TOP INTERLOCK CORNER JOINT ASSEMBLY PVC BLOCK		
6	SC-274	DONJI ČEP KRILA / BOTTOM INTERLOCK CORNER JOINT ASSEMBLY PVC BLOCK		
6	SC-275	GORNJI ČEP KRILA / TOP CAP PLUG FOR OUTSIDE-RIGHT SASH		
6	SC-275	DONJI ČEP KRILA / BOTTOM CAP PLUG FOR OUTSIDE-RIGHT SASH		
2	SC-304	ČEP SREDNJE DOPUNE / OGLASAPTER PROFILE COVER		
12	SC-325	NASLON FIKSING KRILA / FIXATION BLOCK FOR FIXED SASH		
32	SC-226	PRIHVATNIK / SIDE FIXATION BLOCK FOR FIXED SASH		

PRIBOR / ACCESSORIES				
KOL. UNIT	ŠIFRA CODE	NAZIV DESCRIPTION		
4	SC-117	GUMA ZA KANAL / CHANNEL CLOSING GASKET		
4	SC-115	GUMA KRILA DONJA I BOČNA / OVERLAP GASKET		
8	SC-284	GUMA NA LAJSNI / INTERIOR GLAZING GASKET		
8	SC103-1	GUMA NA PROFILU / EXTERIOR GLAZING GASKET		
8	SC-312	DIHT ČETKICA / BRUSH GASKET		
8	SC317-1	SREDNJA GUMA / INTERLOCK GASKET		
16	SC-123	GUMA KRILA GORNJA / EXTERIOR OVERLAP GASKET		

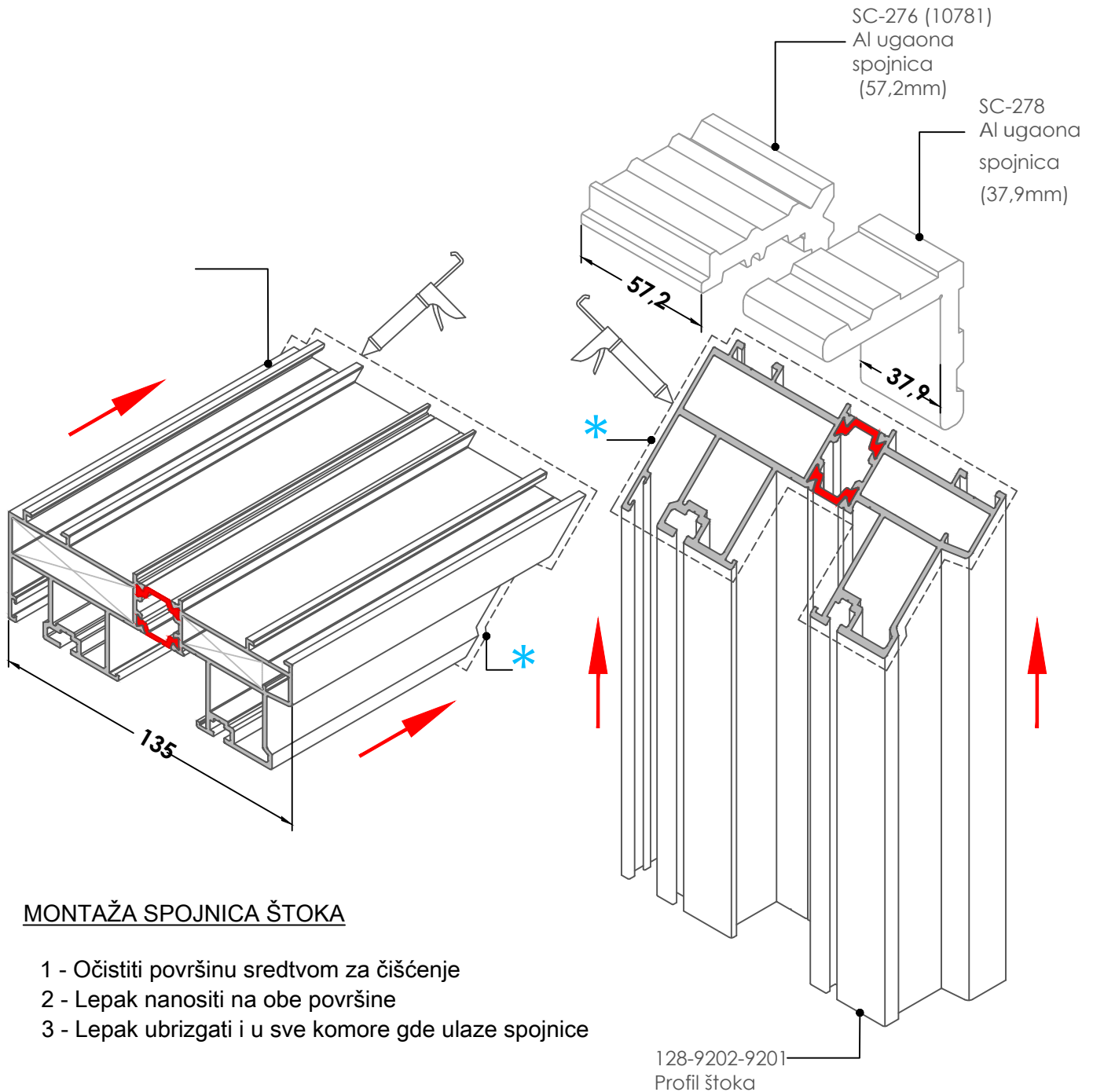


Količina porudžbine je minimalno 300 kg. / Minimum order quantity 300 kg

Težine su teoretske I svi profili se mere u trenutku isporuke. / Warning: The weights of profile is theoretical, weighting at the time of delivery are valid



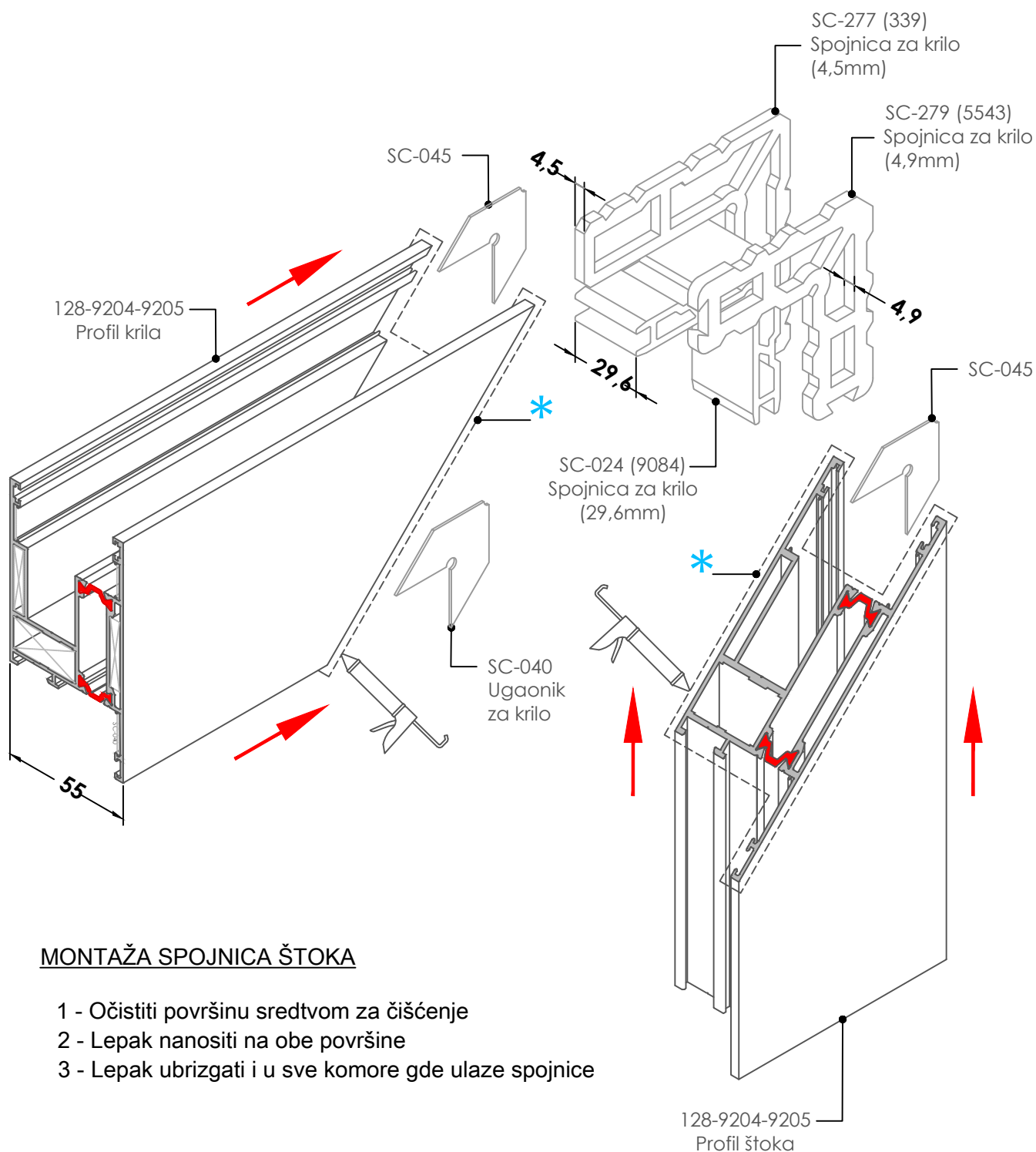
SSI 128 PODIZNO KLIZNI
PRESECI
SSI128 FABRICATION DETAILS



MONTAŽA SPOJNICA ŠTOKA

- 1 - Očistiti površinu sredtvom za čišćenje
- 2 - Lepak nanositi na obe površine
- 3 - Lepak ubrizgati i u sve komore gde ulaze spojnice

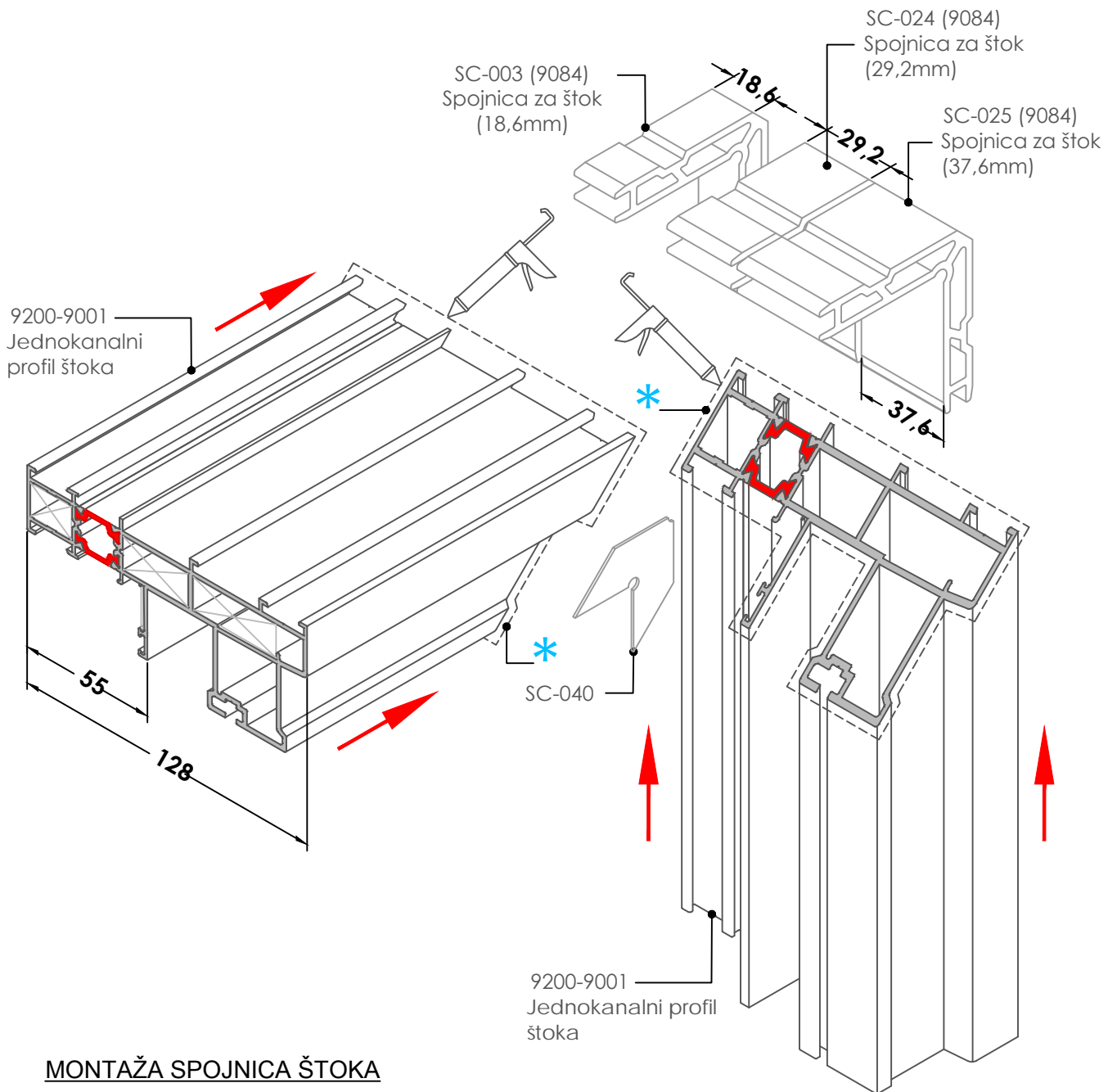
* Očistiti viškove nakon očvršćavanja lepka



MONTAŽA SPOJNICA ŠTOKA

- 1 - Očistiti površinu sredtvom za čišćenje
- 2 - Lepak nanositi na obe površine
- 3 - Lepak ubrizgati i u sve komore gde ulaze spojnice

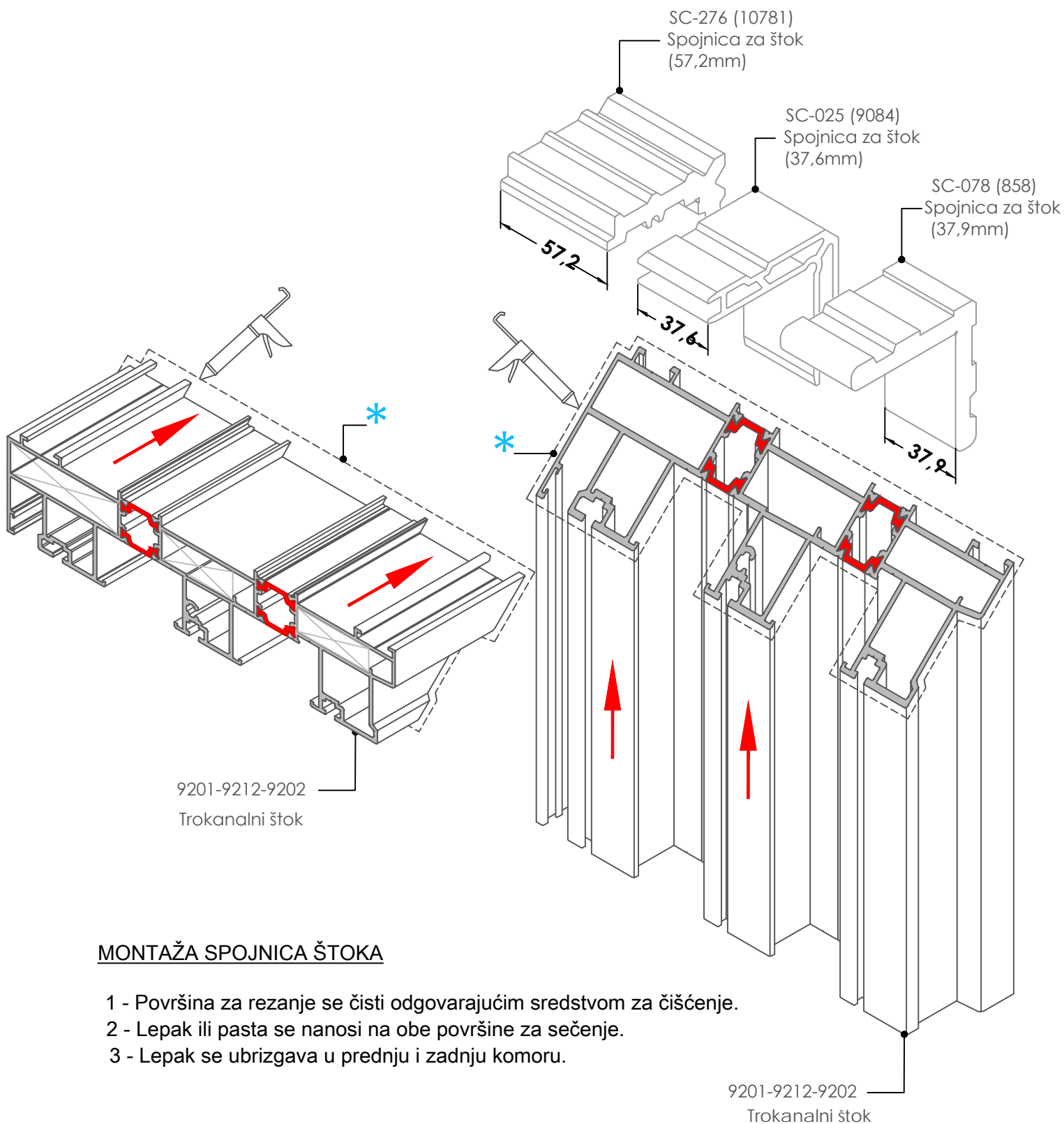
* Očistiti viškove nakon očvršćavanja lepka



MONTAŽA SPOJNICA ŠTOKA

- 1 - Površina za rezanje se čisti odgovarajućim sredstvom za čišćenje.
- 2 - Isto kao prethodno
- 3 - Lepak se ubrizgava u prednju i zadnju komoru.

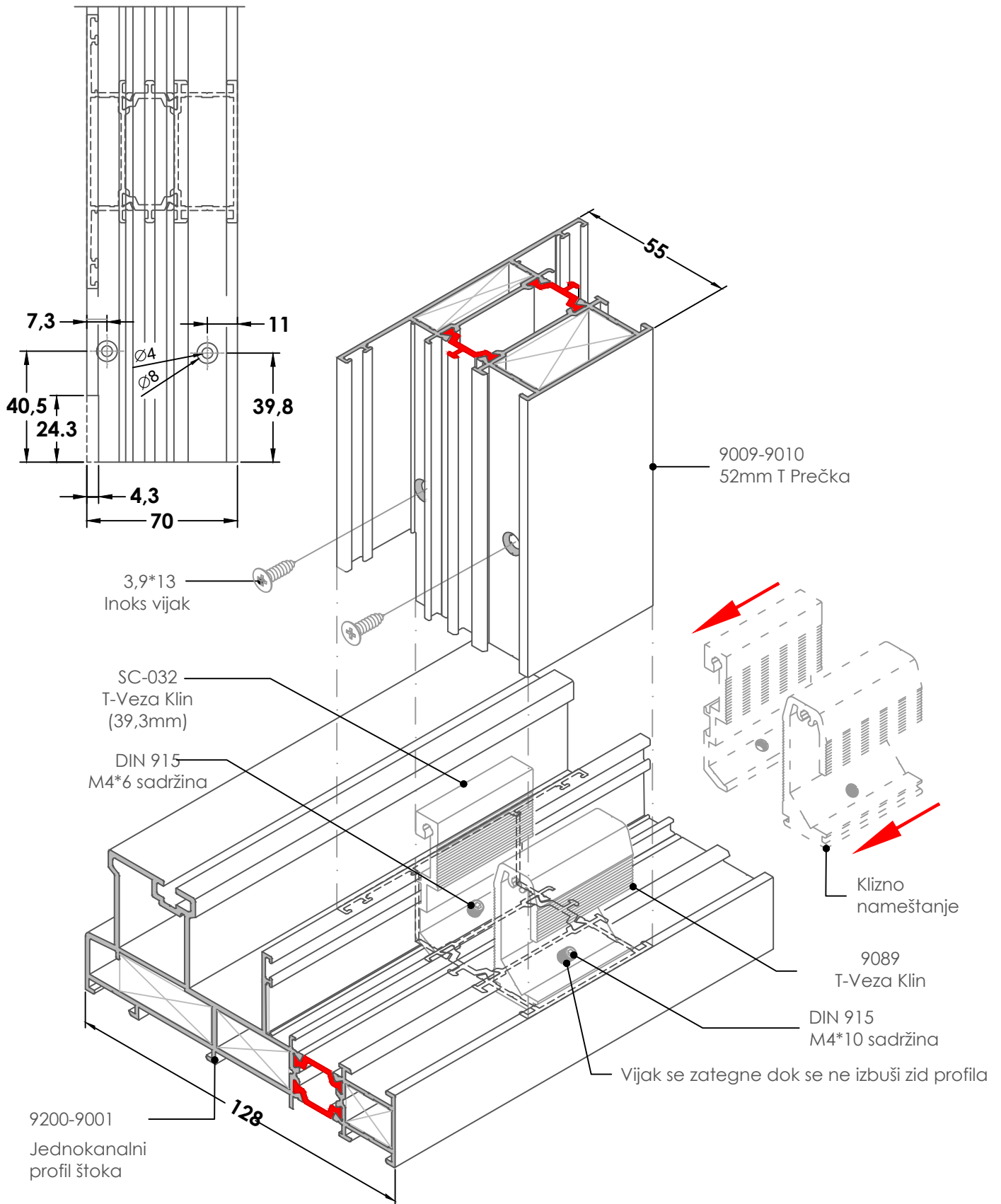
*** ISTO KAO PRETHODNO**

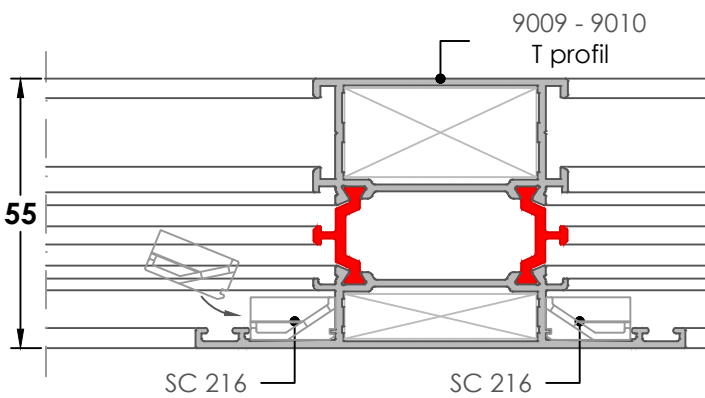
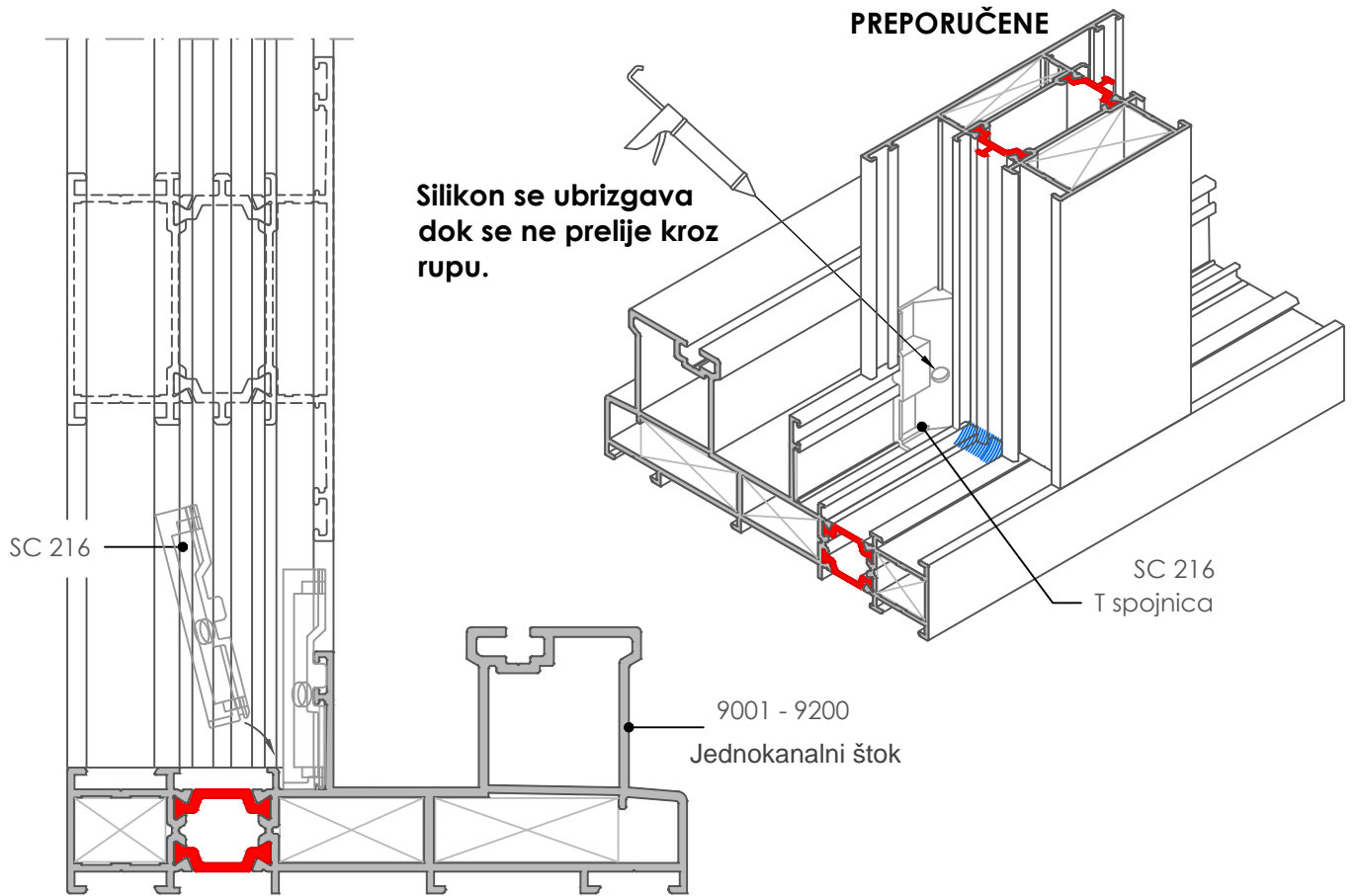


MONTAŽA SPOJNICA ŠTOKA

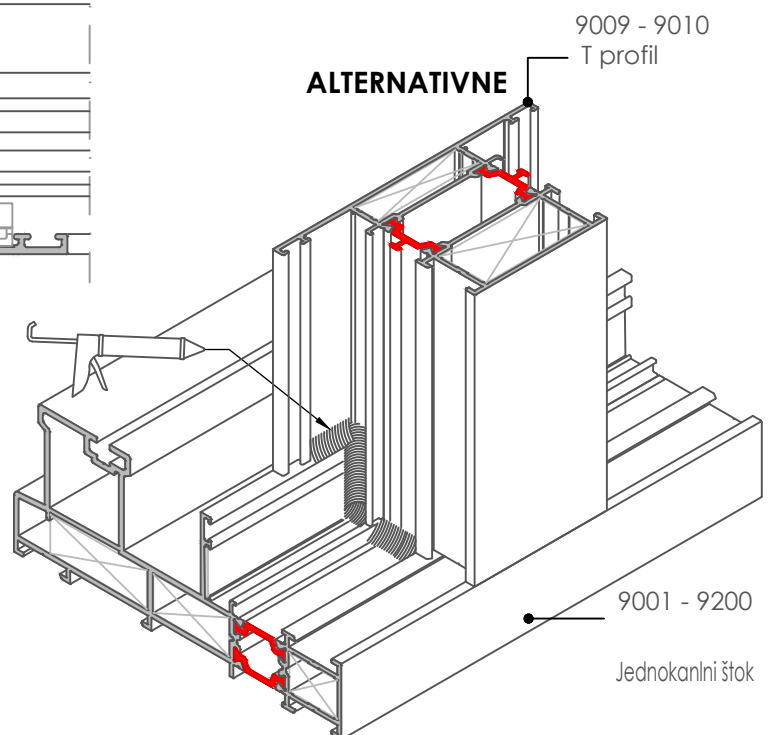
- 1 - Površina za rezanje se čisti odgovarajućim sredstvom za čišćenje.
- 2 - Lepak ili pasta se nanosi na obe površine za sečenje.
- 3 - Lepak se ubrizgava u prednju i zadnju komoru.

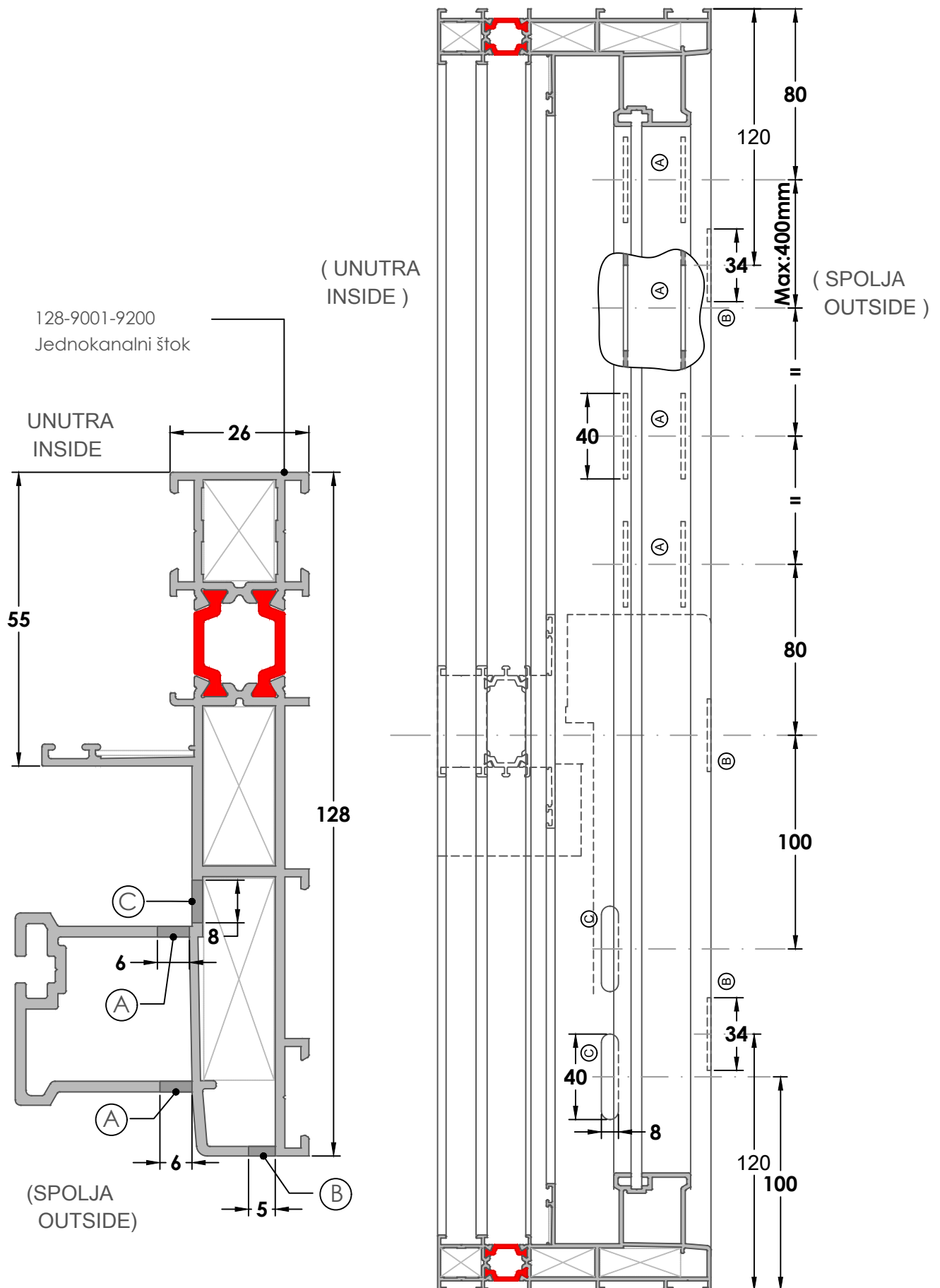
*** Nakon sakupljanja ugla, ugao se čisti odgovarajućim sredstvom za čišćenje**

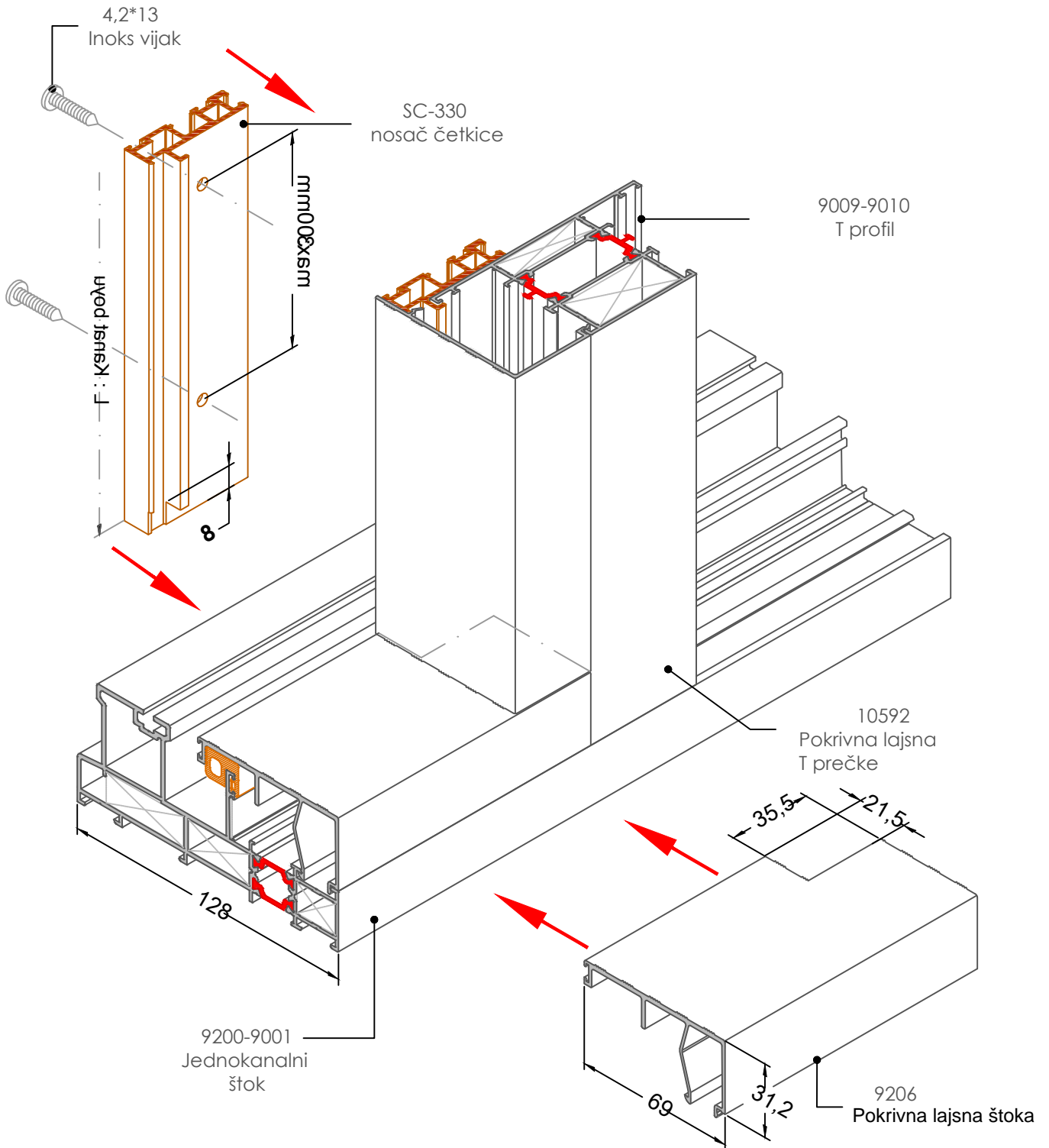


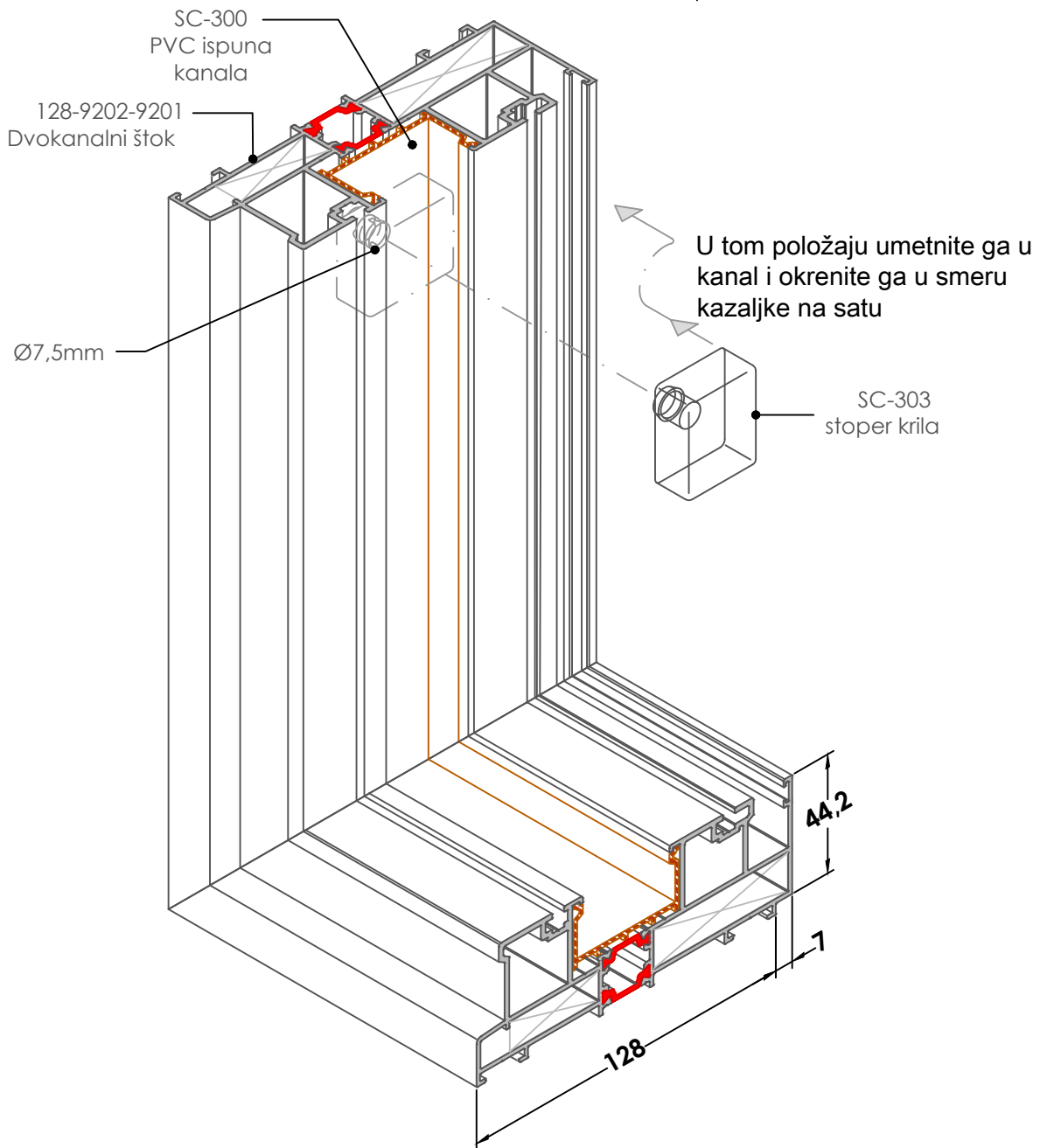
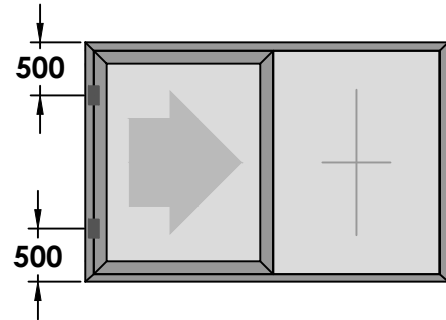


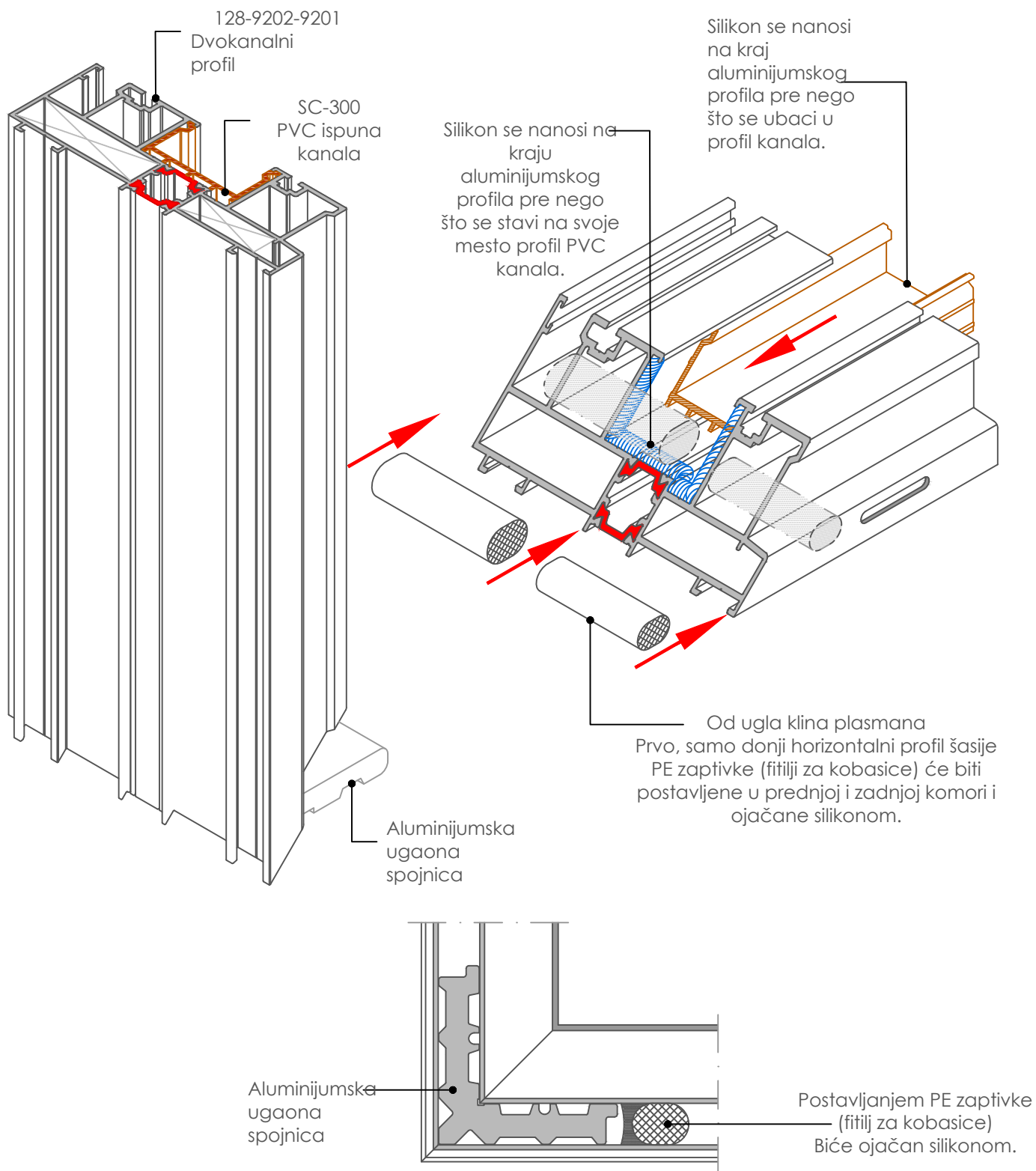
Pvc zaptivanje deo samo na nivou transporta vode upotrebljiv.

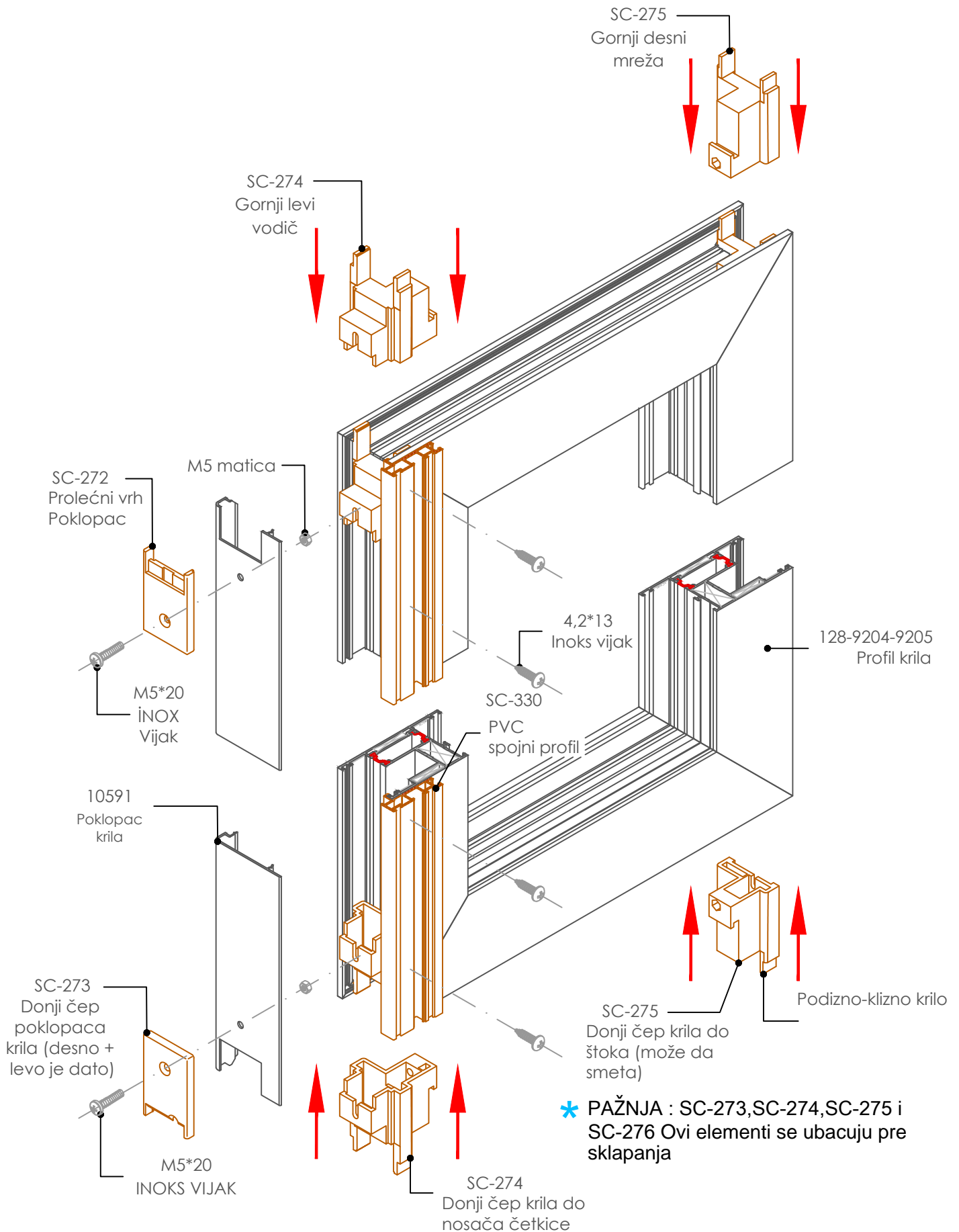


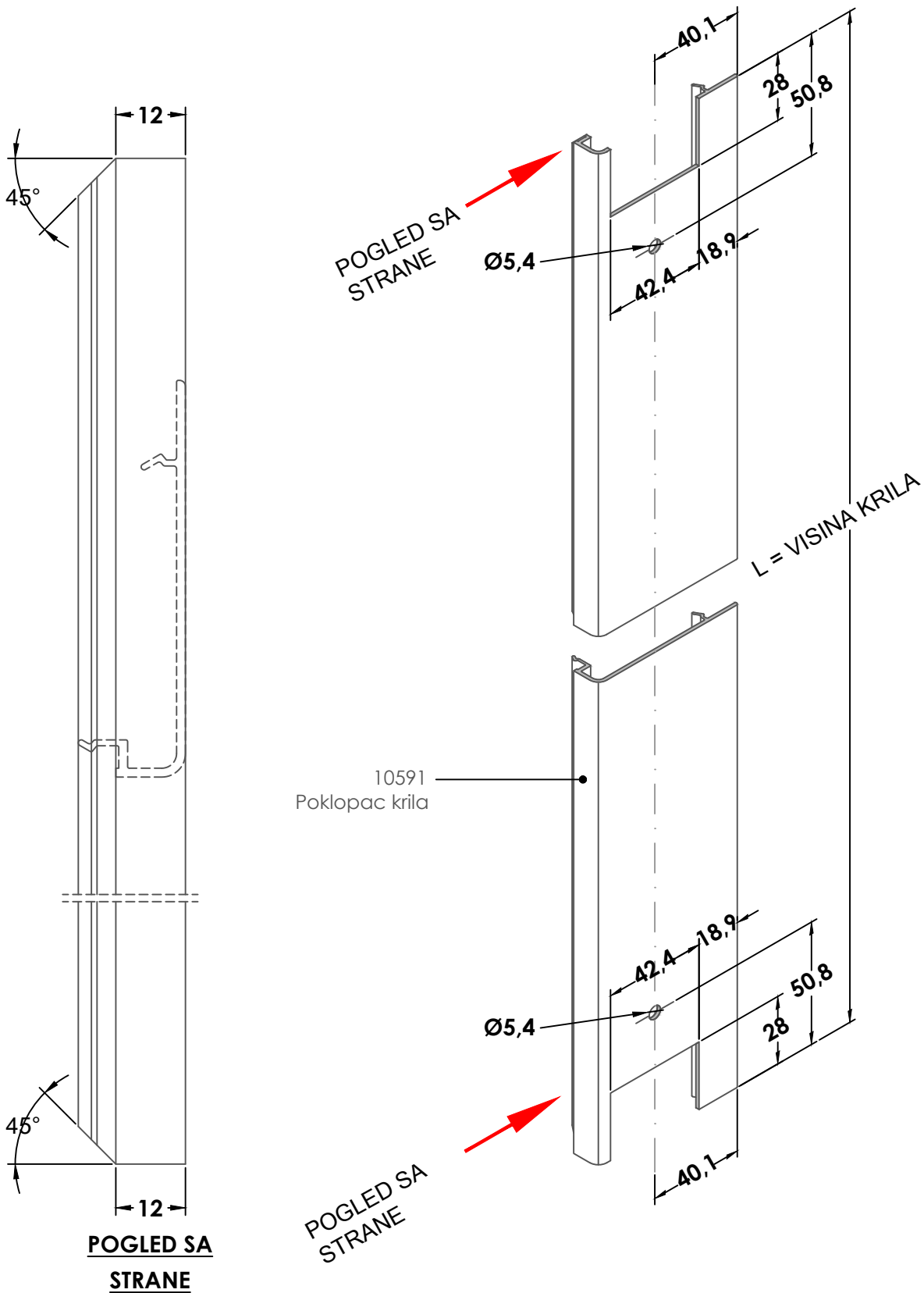


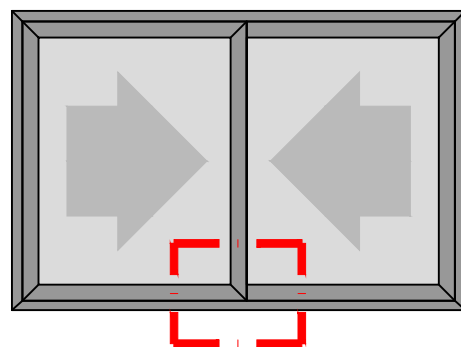
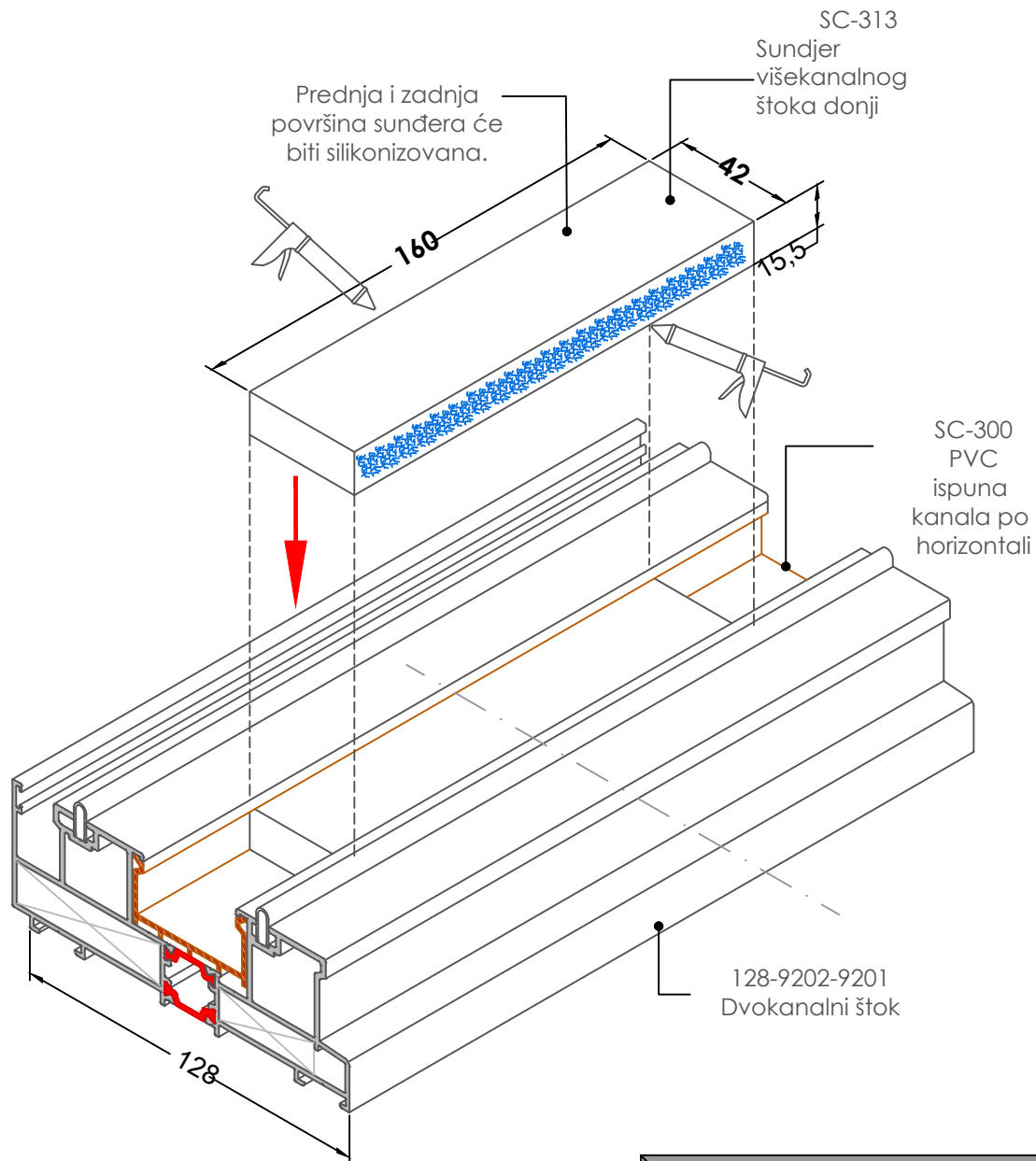


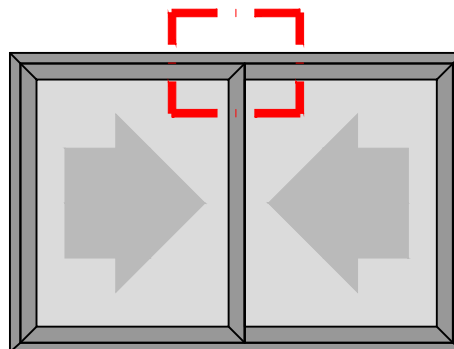
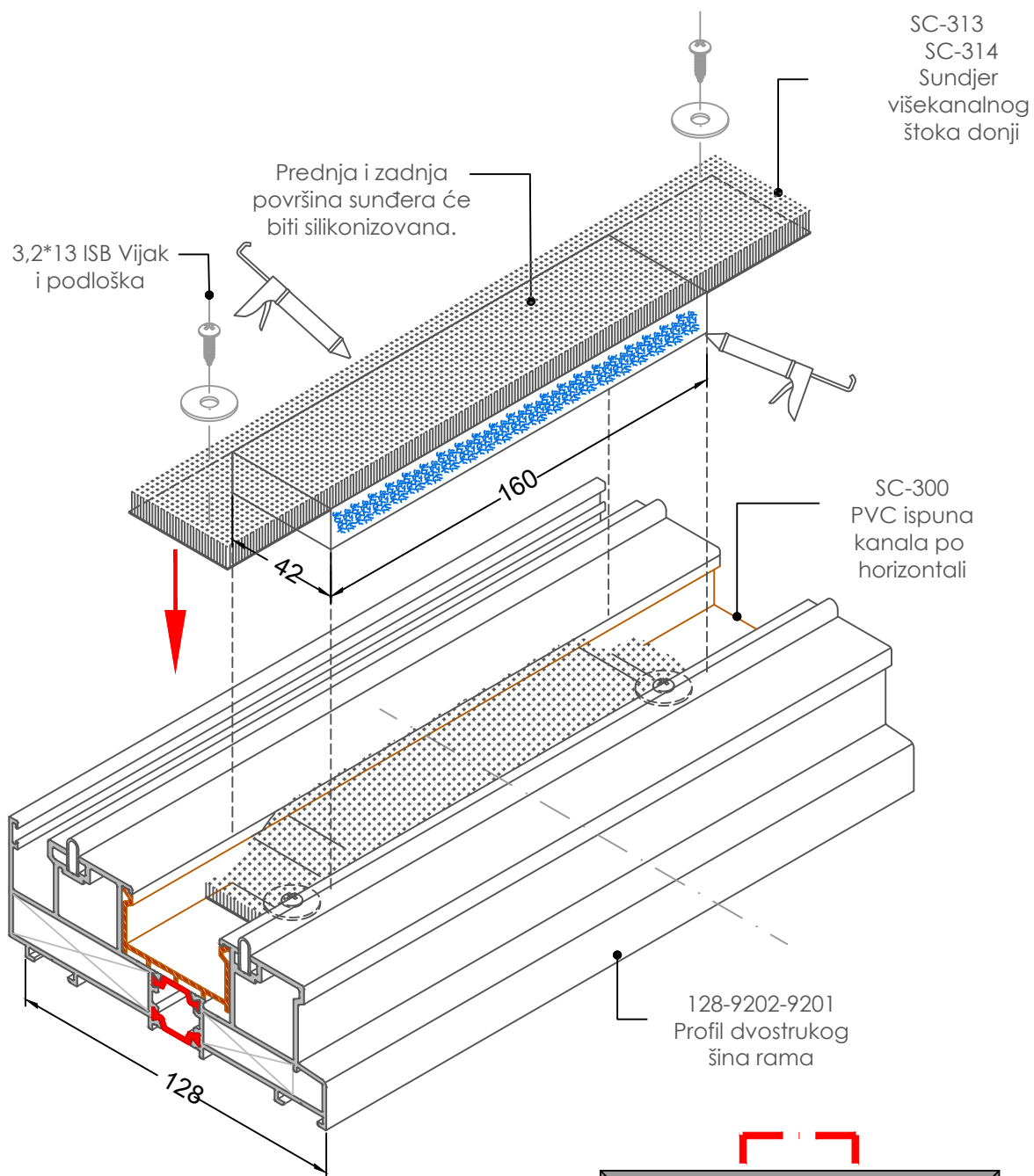


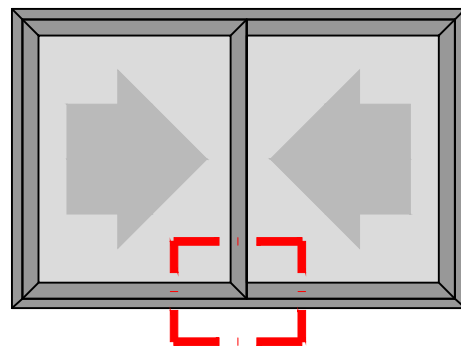
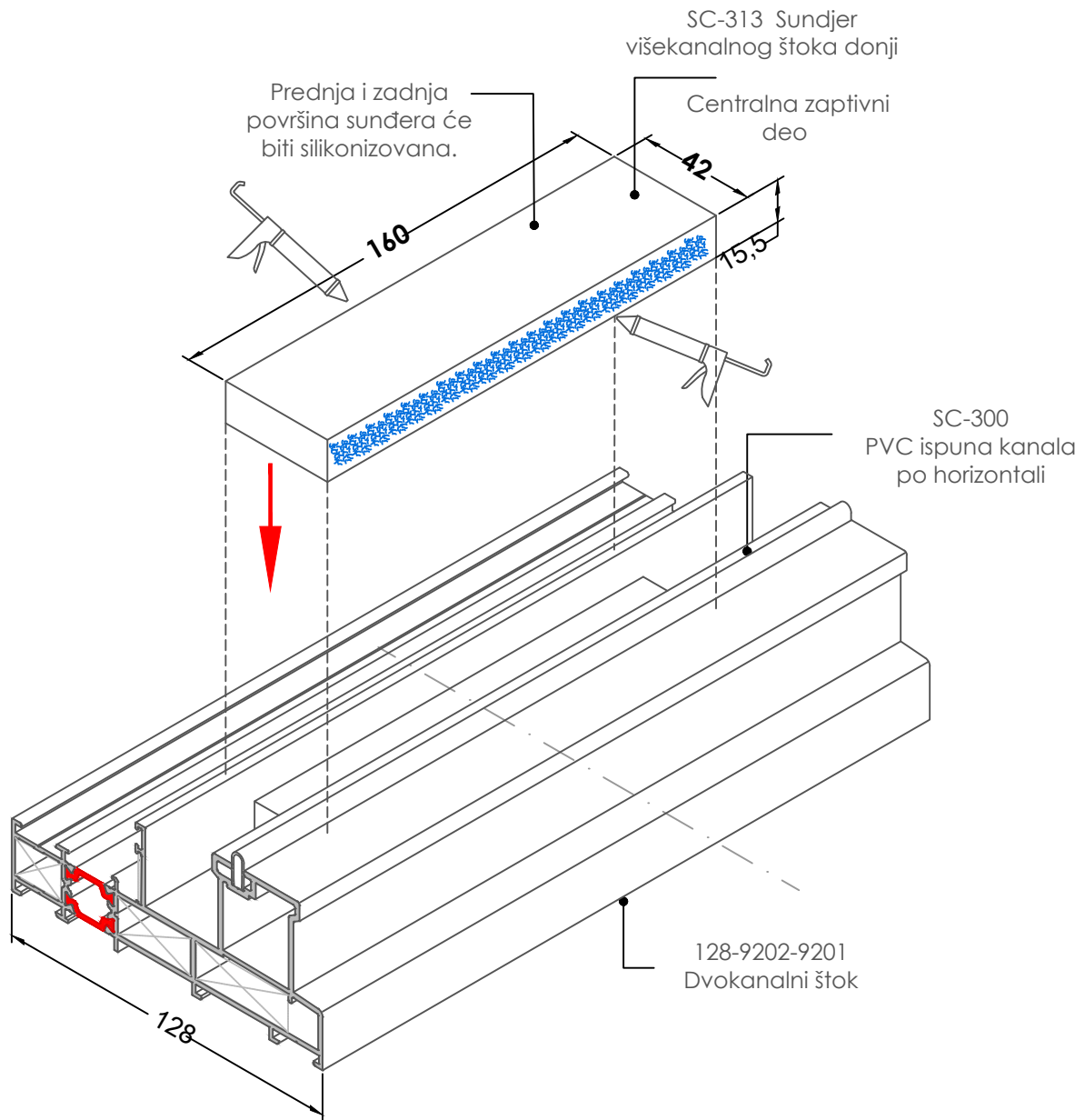


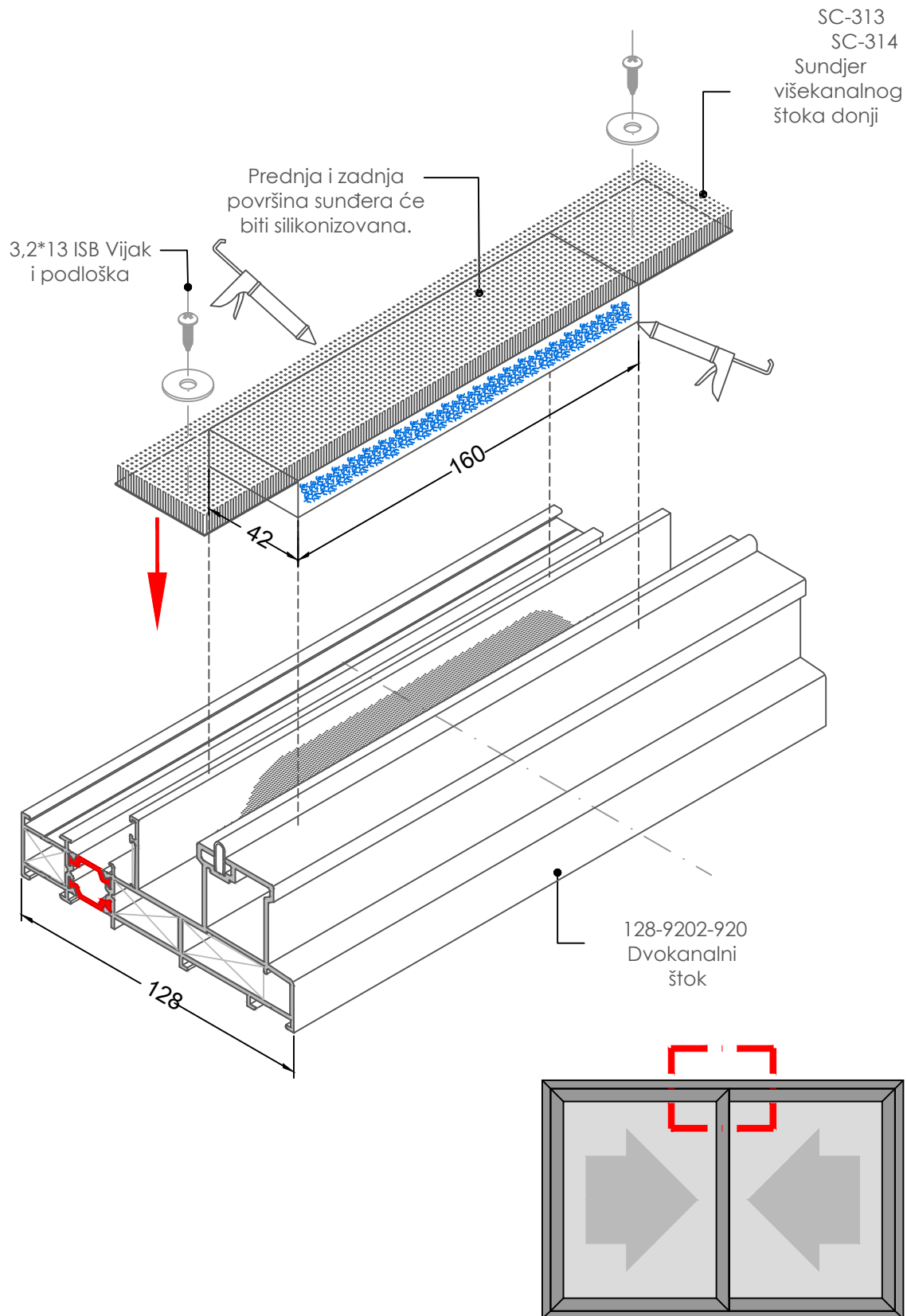


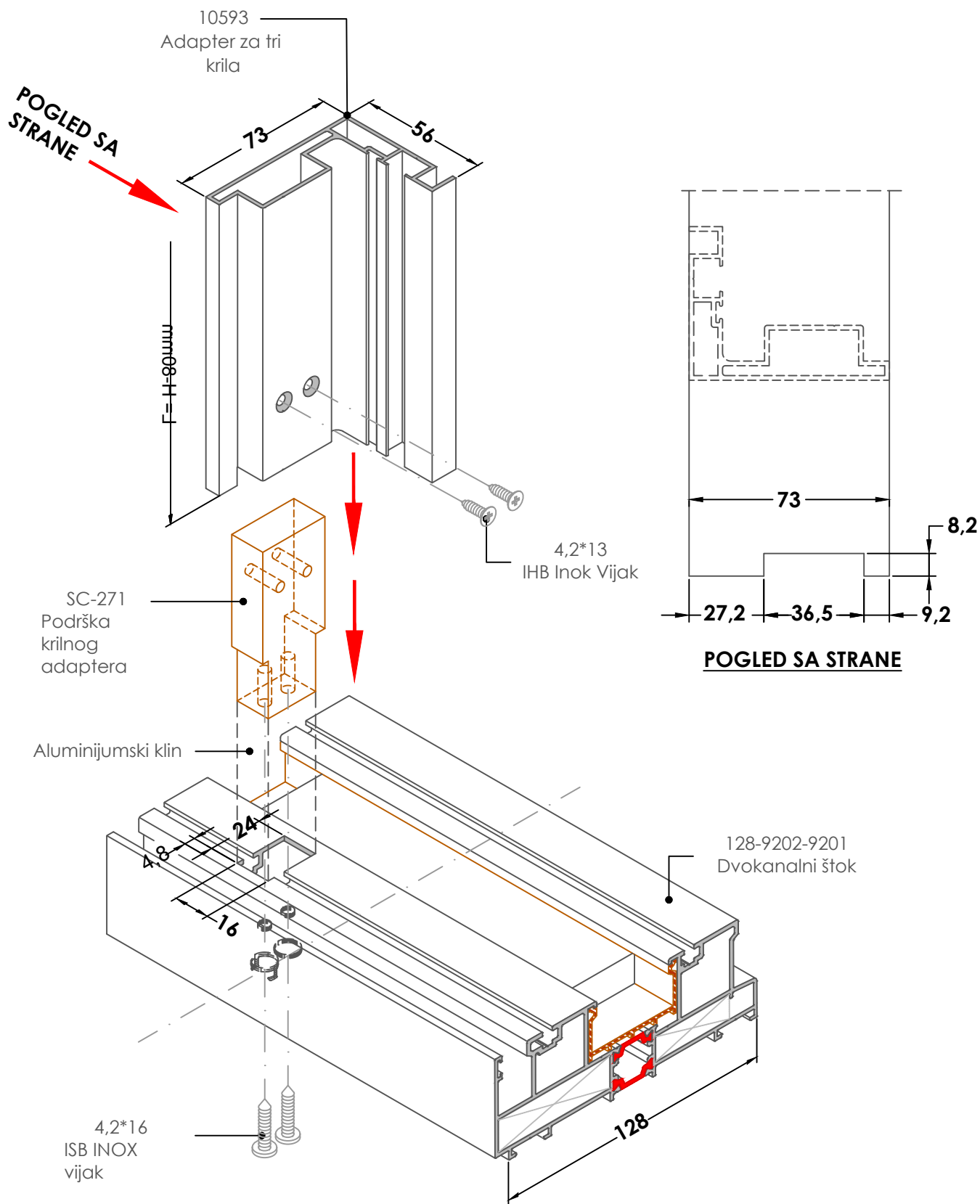


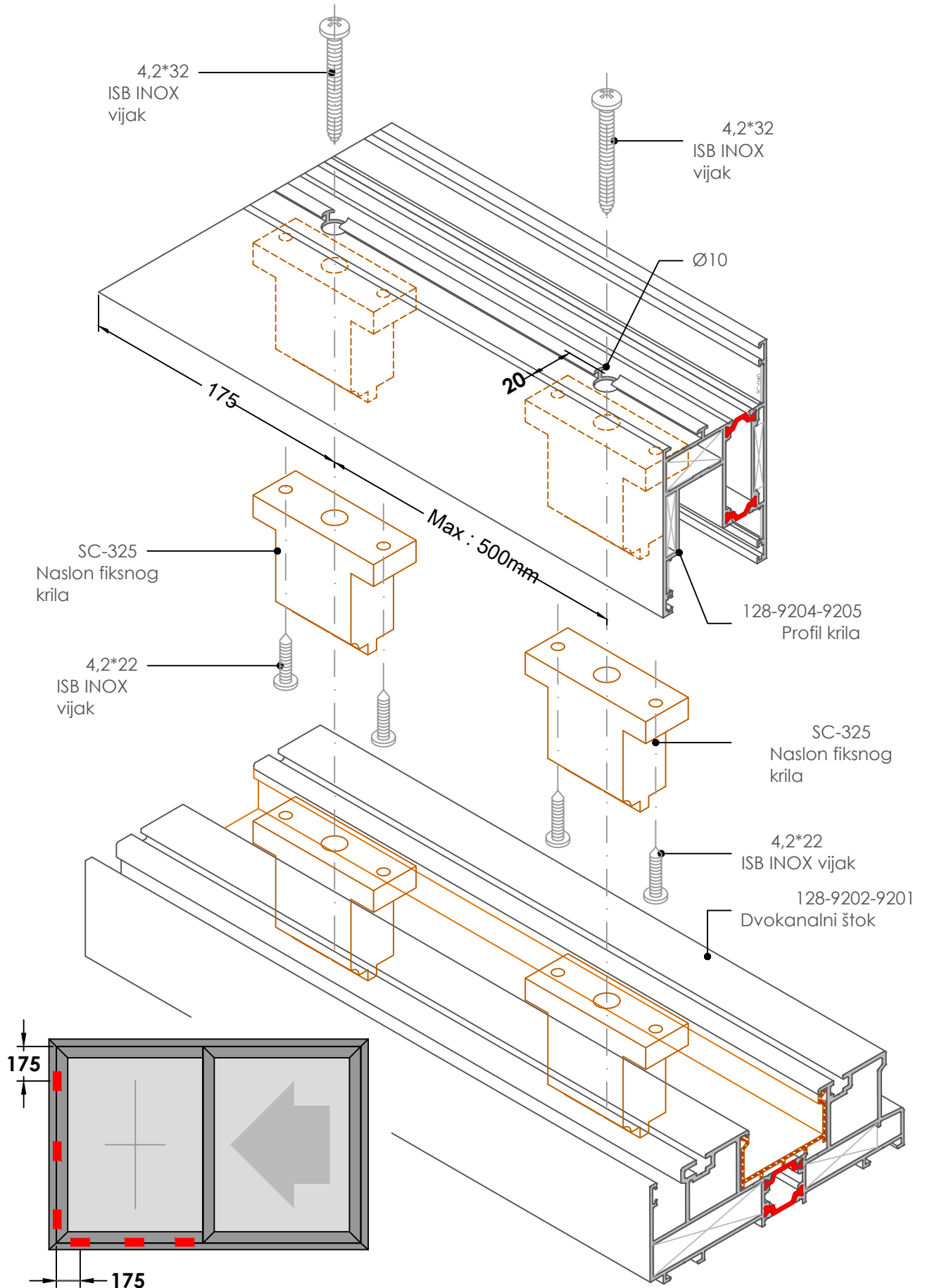


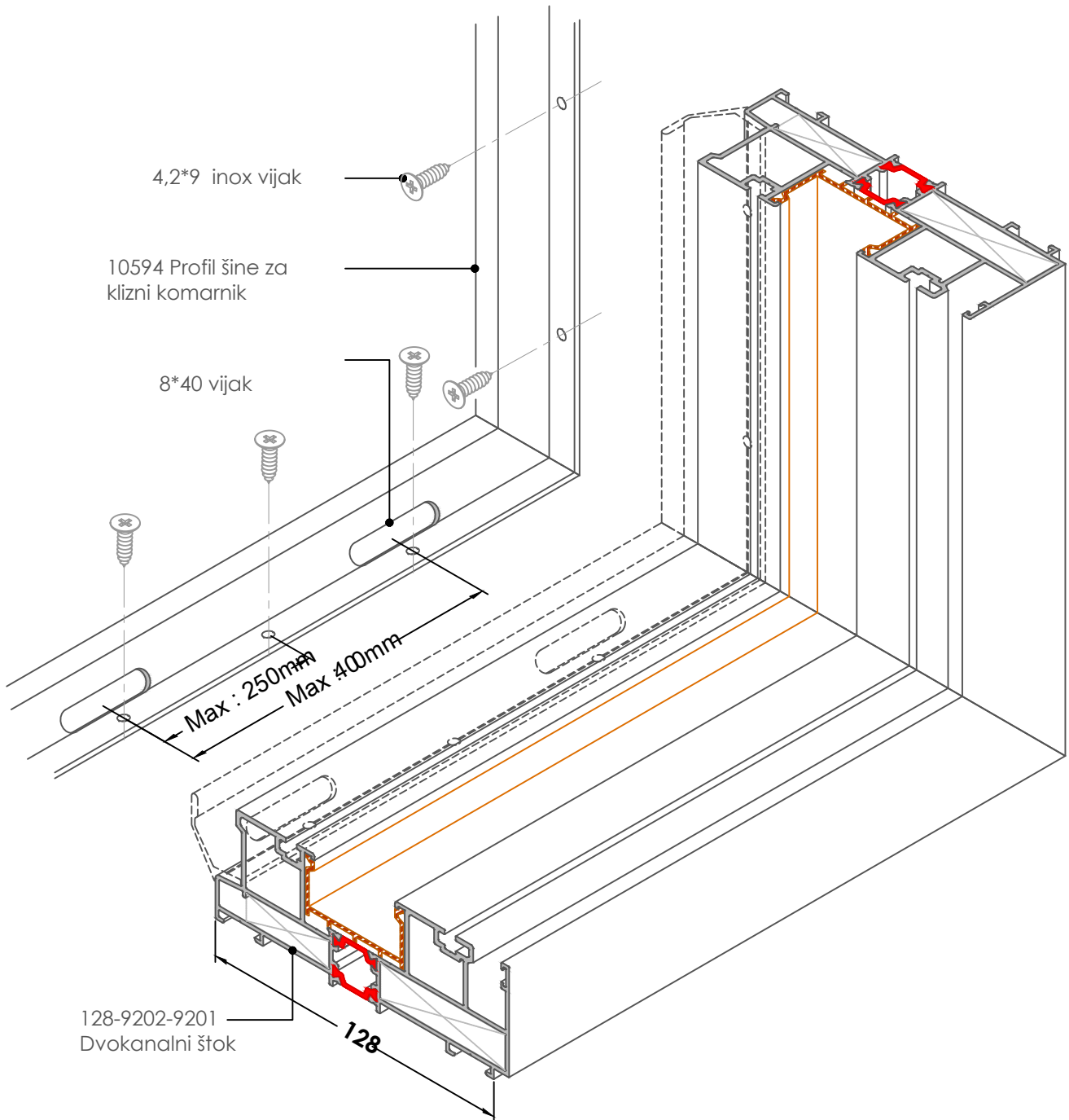


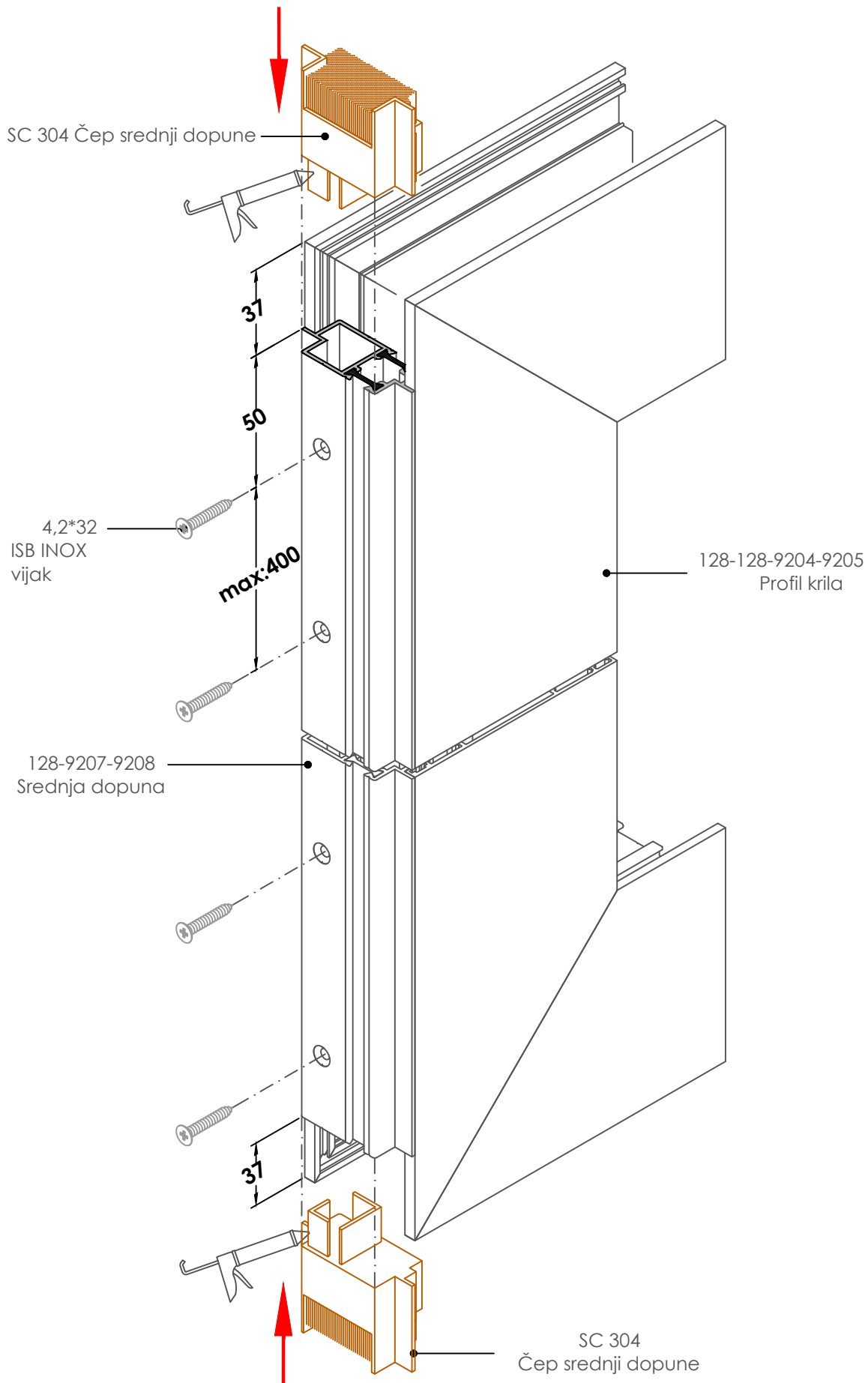


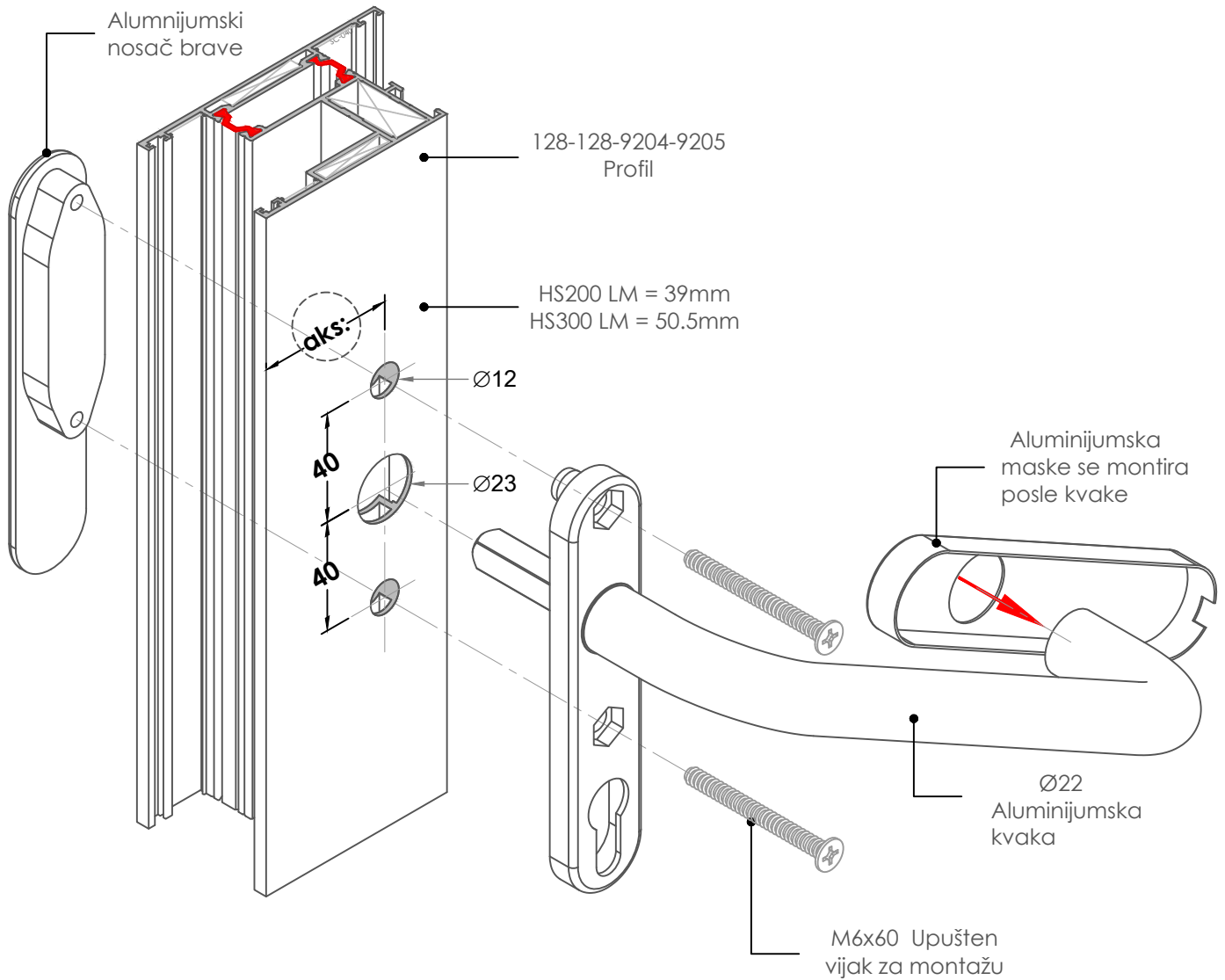


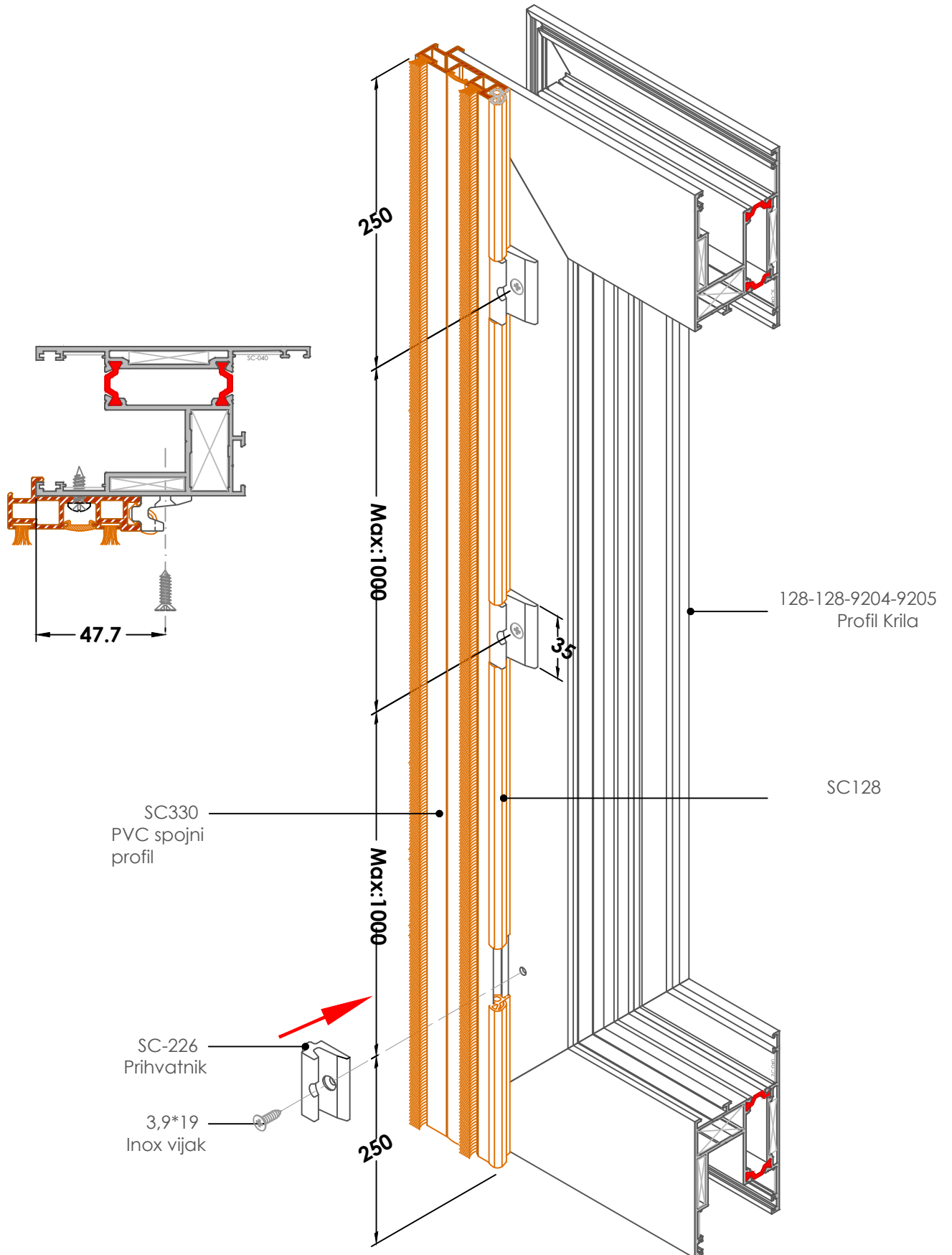


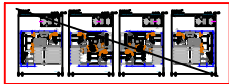
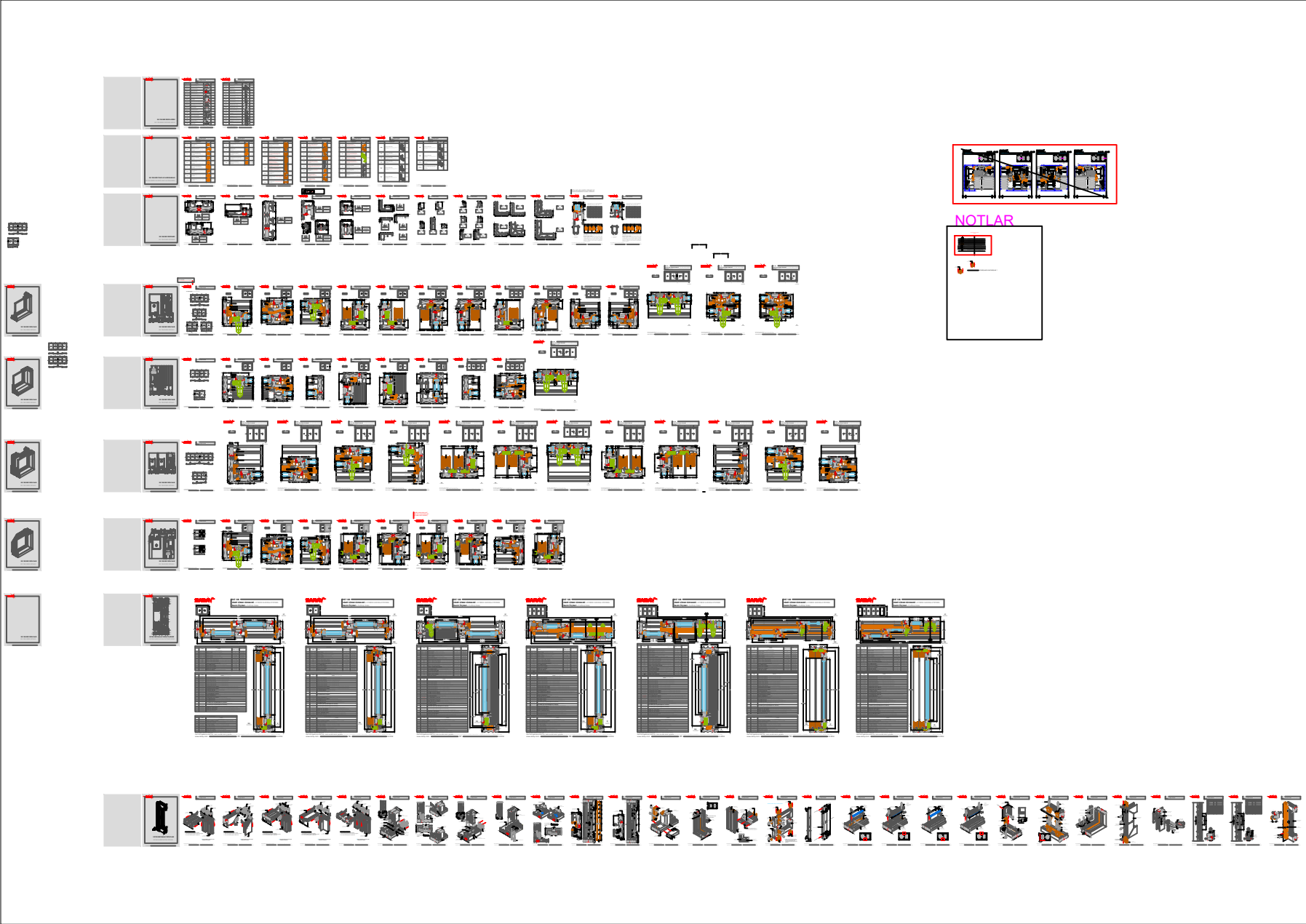












NOTLAR

