

PROAL



Standards stay the same,
innovation never ends...

ALUMINIUM
GATES & FENCES



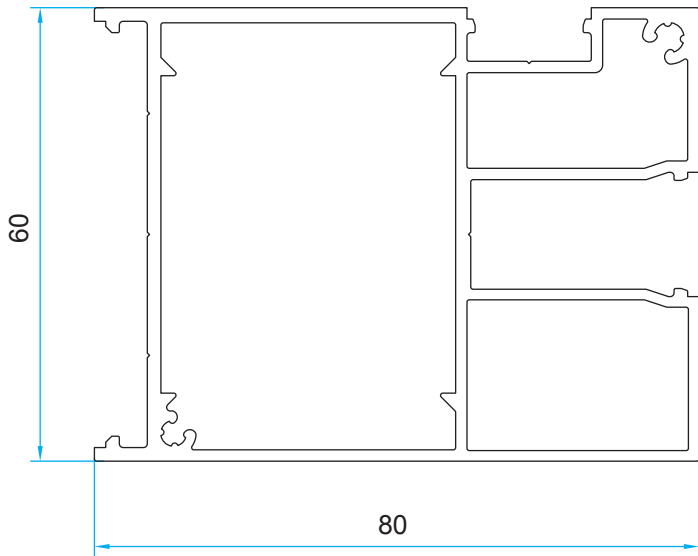
Enhance your home's security and style with
BTS gate systems and extensive range of fences.

Available in great choice of lamella models and colours, BTS gates and fences require virtually no maintenance and will not rust or rot like steel or timber!

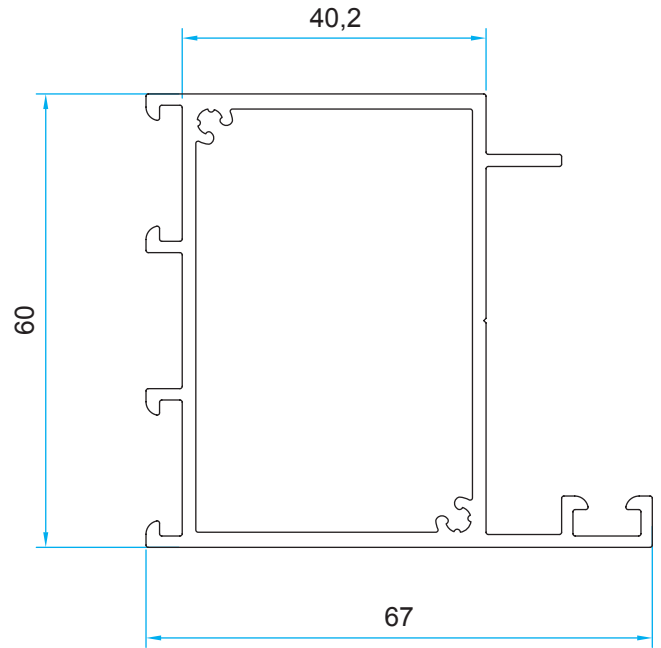
ALUMINIUM GATES & FENCES

BTS Gate Systems are designed to be compatible with other BTS systems such as fences, veranda and railing systems.

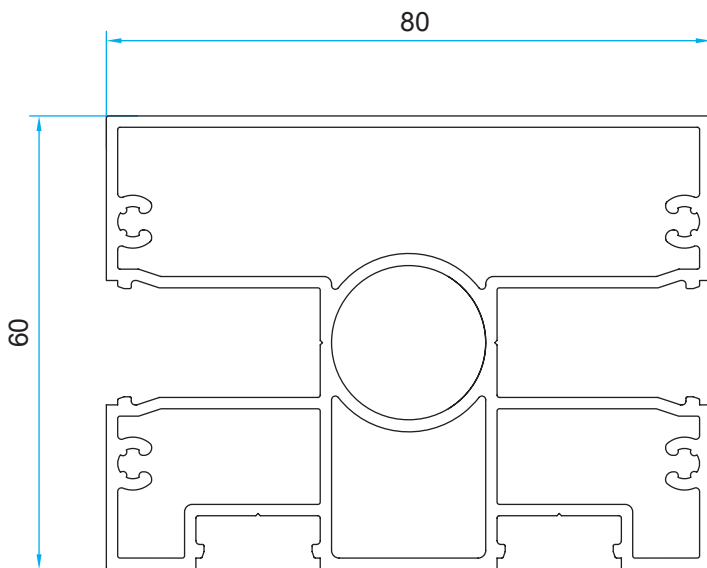
BTS Fence system filling lamella profiles have been designed different models or double-sided. One side of the profile is smooth and the other is corrugated or totally different shaped profiles. This increases the number of possible styles and arrangements of panels, doors, gates and other aluminium constructions. The filling lamellas are fixed in a horizontal layout with gaps that can be adjusted freely, even within one panel.



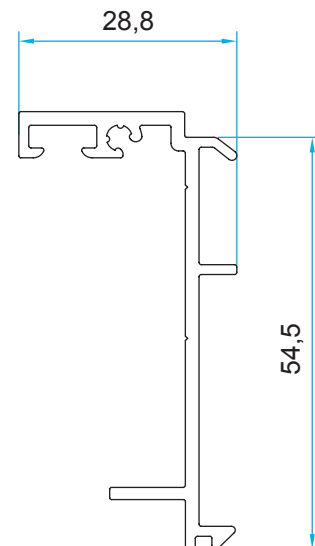
Code: **P-1578**
1,787 kg/m
Sash Profile



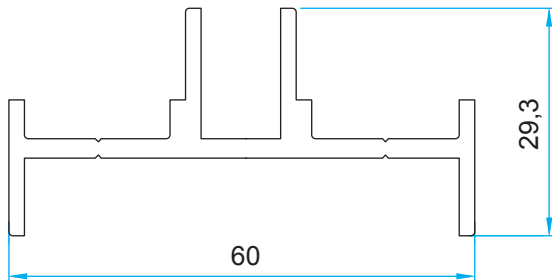
Code: **P-1579**
1,333 kg/m
Frame Profile



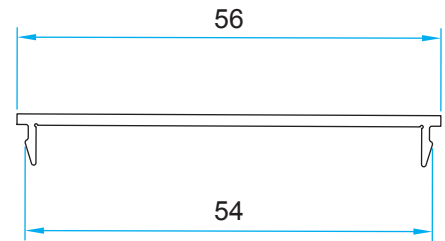
Code: **P-1581**
2,231 kg/m
Mullion Profile



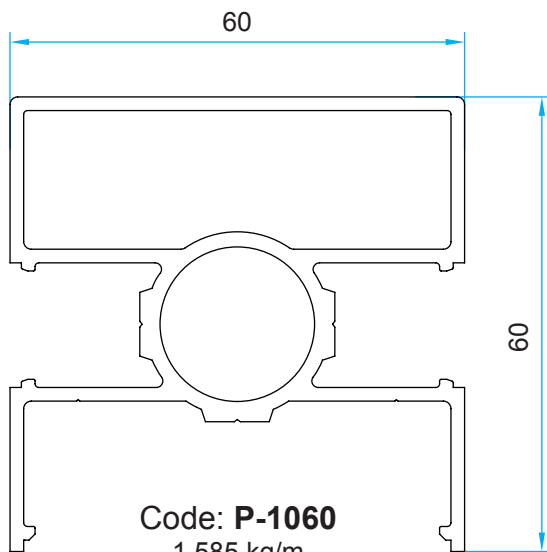
Code: **P-1580**
0,555 kg/m
Sash & Frame Adapter Profile



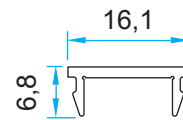
Code: **P-1058**
0,805 kg/m
Sash & Lamella Adapter Profile



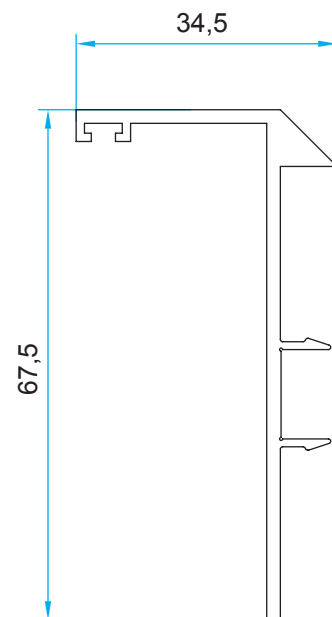
Code: **AL9460**
0,255 kg/m
Frame/Sash/Column Cover Profile



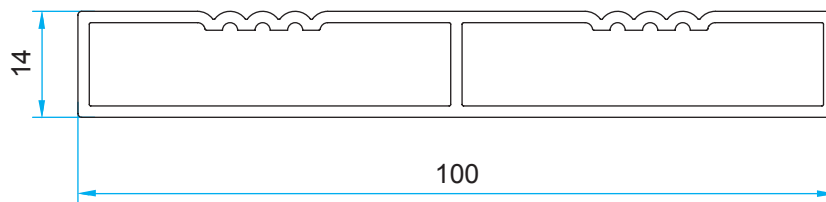
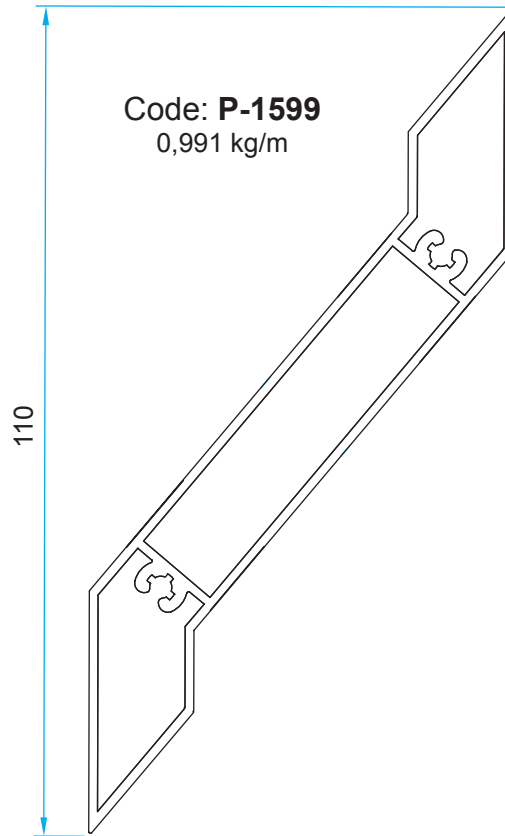
Code: **P-1060**
1,585 kg/m
Fence Column Profile



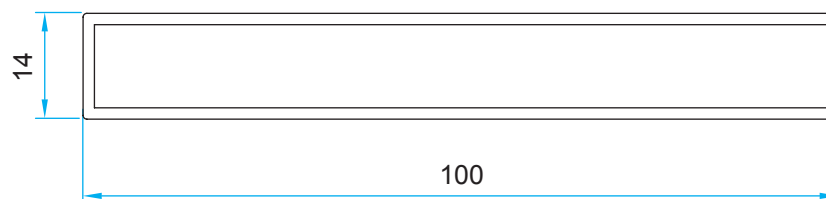
Code: **AL9459**
0,094 kg/m
Cap Profile



Code: **P-1107**
0,589 kg/m
Double Sash Stopper Profile

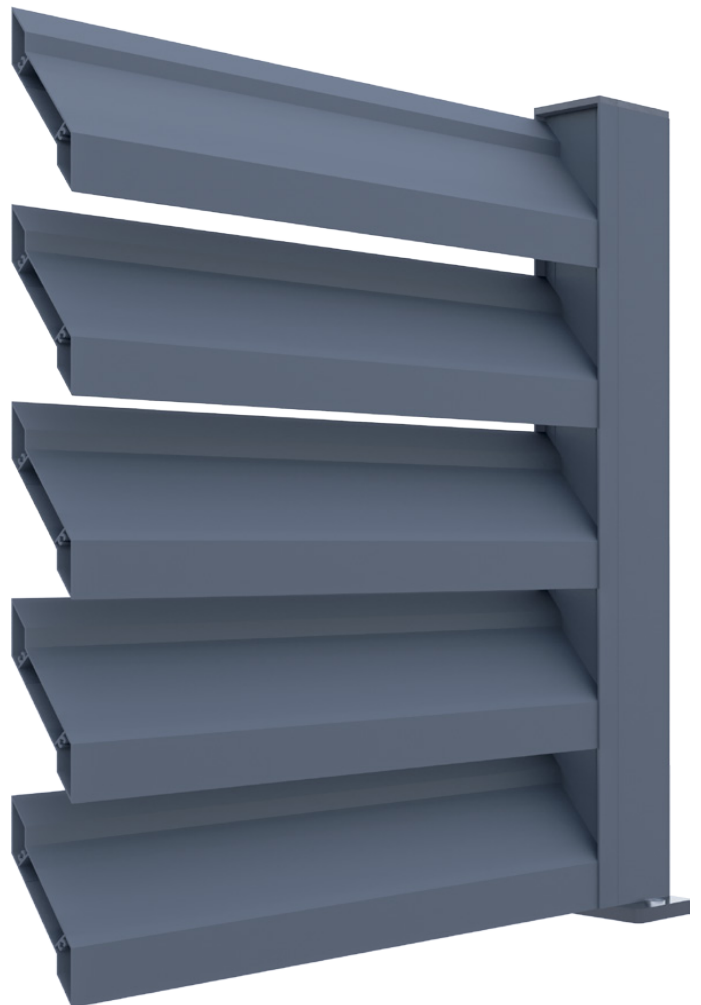


Code: **P-1077**
0,973 kg/m



Code: **P-1337**
0,902 kg/m

LAMELLA TYPES

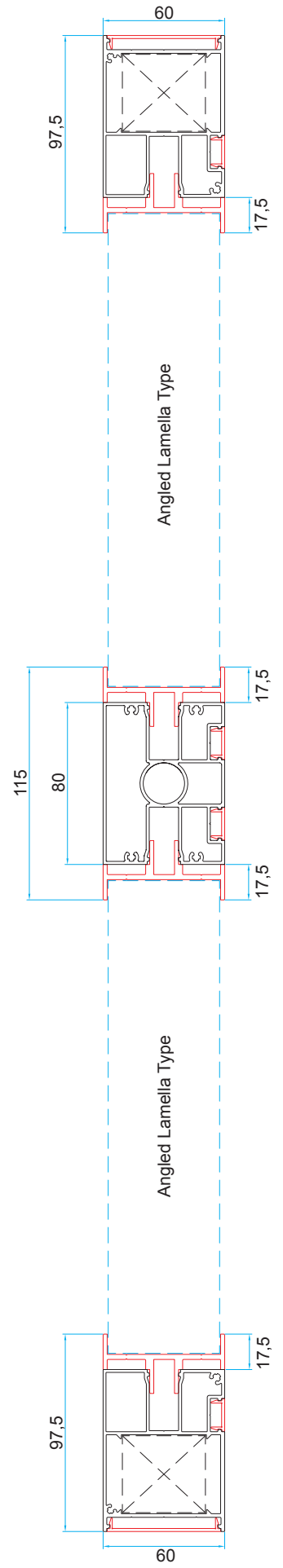
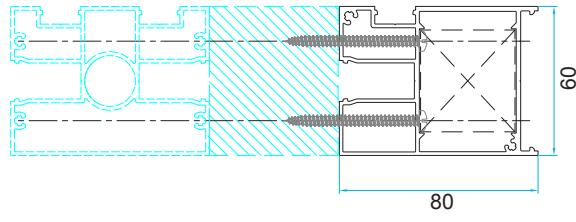
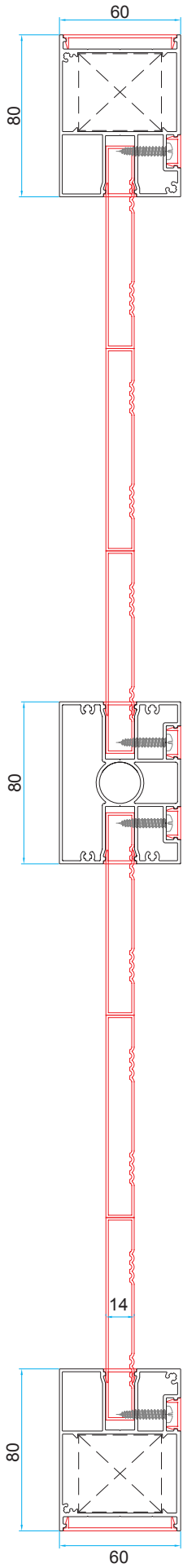




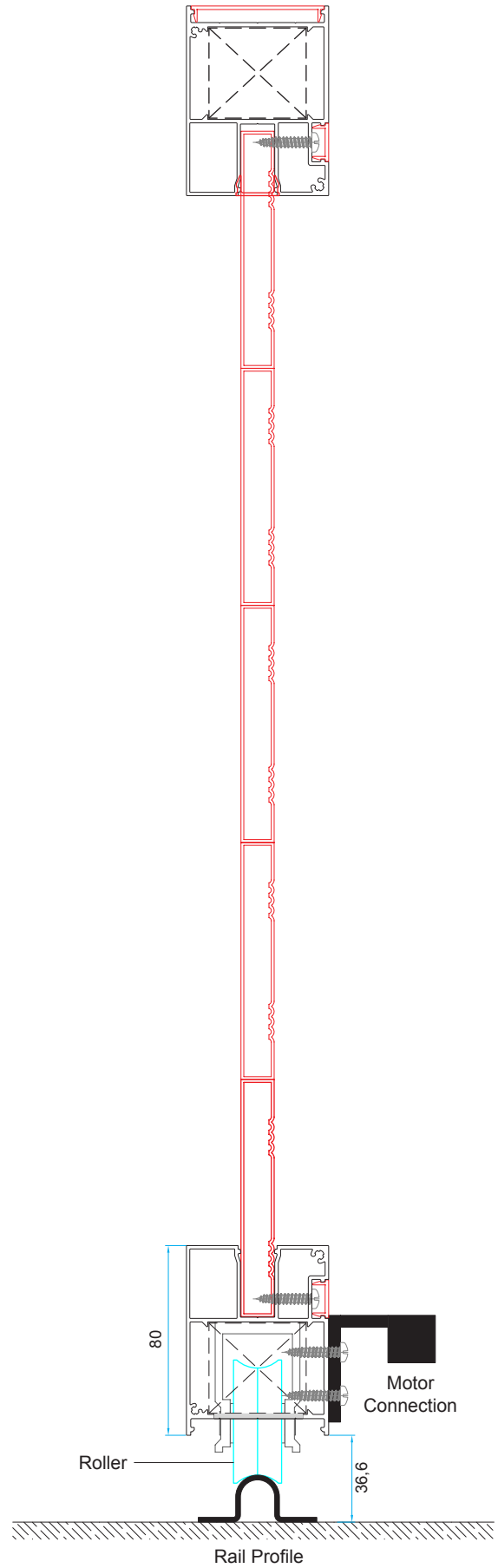
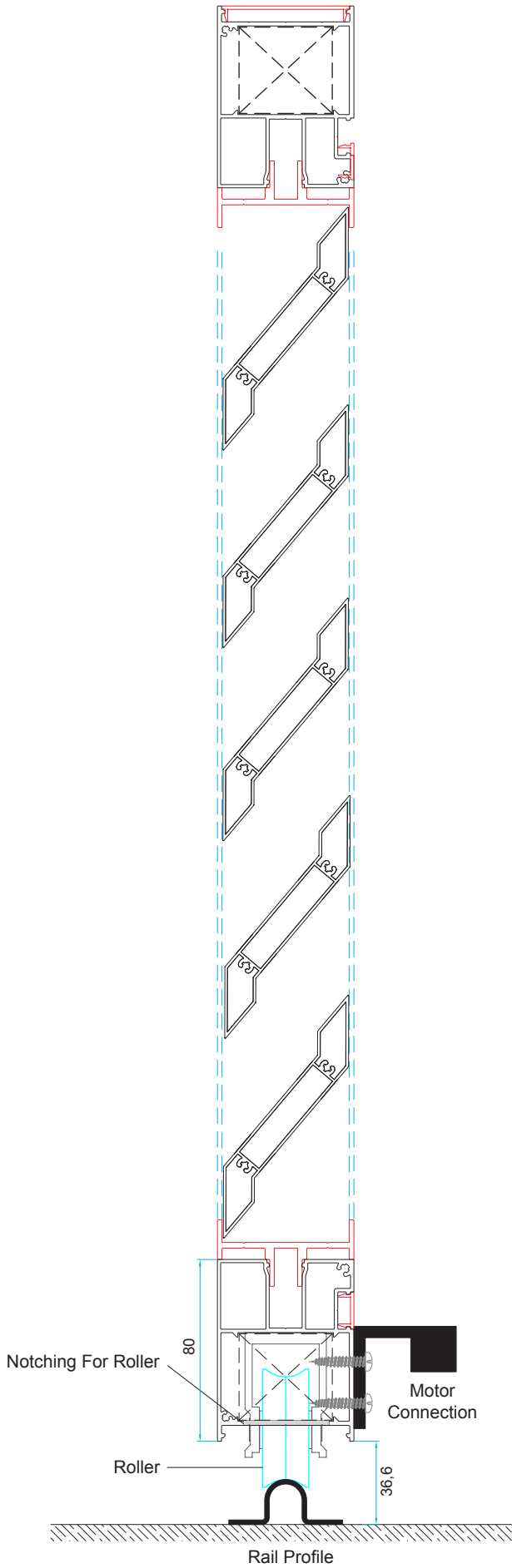
Double-sash gates, doors and other BTS products are screwed together using jointless technology. This solution allows for random modifications of a final product. BTS gate system solutions eliminate vertical gaps between panels, doors, gates and posts. The lack of vertical gaps guarantees a coherent design of the whole fence.

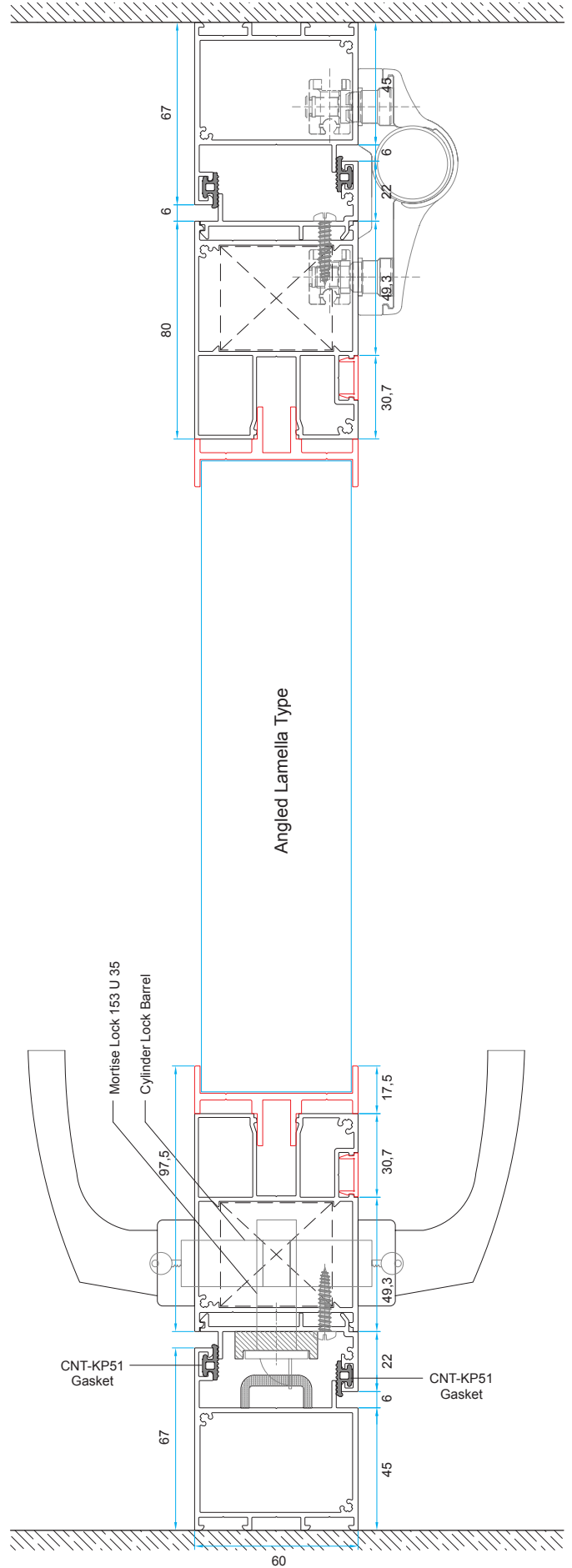
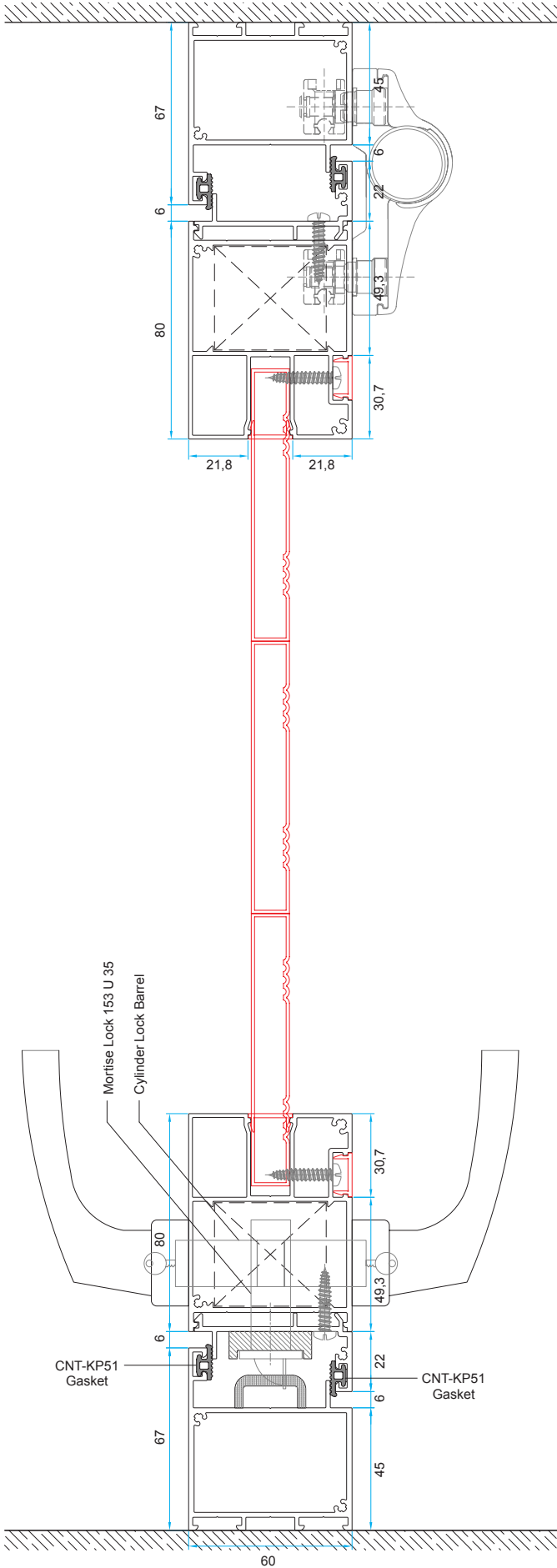
All made from high quality aluminium and in numerous design variants, allowing freedom in Creativity!





SLIDING GATE SYSTEM DETAILS





The background image shows a modern building's entrance. A dark grey door with horizontal lamella is set in a light-colored wall. To the right, a dark grey gate is partially open, revealing a paved courtyard. The building has a balcony with a glass railing and a stone-clad wall in the background. The scene is brightly lit, with shadows cast on the ground.

Customization...

BTS offers multiple lamella options from round, square shape to decorative styles. Sash and adapter profile give chance to produce different style of doors..

ACCESSORIES



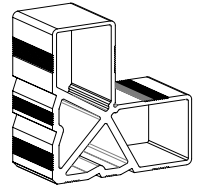
AK-5432
Aluminium Door Handle (Black)



AK-5433
Aluminium Door Handle (Black)



AK-5435
Threaded Aluminium Corner Joint



AK-5436
Aluminium Corner Joint (41mm)



AK-5437
Frame-Sash Hinge
62 mm Axis



AK-5438
Frame-Sash Hinge
67 mm Axis



AK-5439
Triple Frame-Sash Hinge
62 mm Axis



AK-5440
Triple Frame-Sash Hinge
67 mm Axis



AK-5441
Mortise Lock 153U35



AK-5442
Cylinder Barrel 70 mm



AK-5443
Sliding Gate Hook Lock



AK-5444
Lock Adapter



AK-5445
Lock Striker



AK-5446
Sliding Door Roller Support



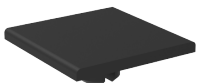
AK-5447
Sliding Door Roller



CNT-KP51
Rubber Gasket for Frame
& Adapter Profile



BTS-YSB4216
4.2x16
Self Tapping Screw



AK-5352B
Top Cap For P-1060
Fence Column Profile



AK-5409
Top Cap For P-1581
80x60 Mullion Profile



AK-5400
Support Foot For Column
P-1060 Profile



BTS-KSG10X100
M10x100 Threaded Rod
+ Domed Cap Nut



AK-5027K
Chemical Anchor
ETA Certified



ALUMINIUM GATES & FENCES





Light, Durable and Corrosion Resistant



■ Niš
Topličkog partizanskog odreda 75,
18250, 9.maj-Niš
tel: +381 18 4289 545
+381 18 4289 565

■ Beograd
Smederevski put BB,
11130, Kaluđerica
tel: +381 11 7708 701
+381 62 321 550

■ Užice
Gorjani BB, 31205, Gorjani
tel: +381 31 546 688
+381 62 318 500

■ Negotin
Dobrivoja Radosavljevića BB,
19300, Negotin
tel: +381 62 317 500

www.proal.rs

info@proal.rs