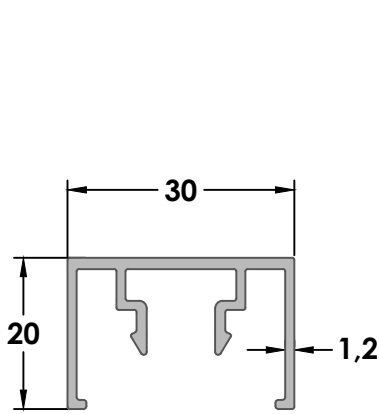
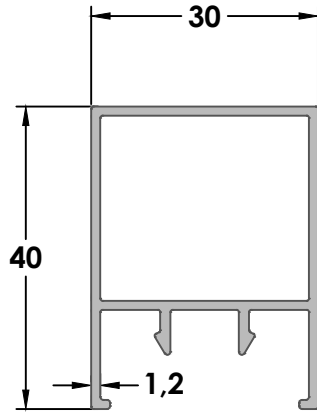


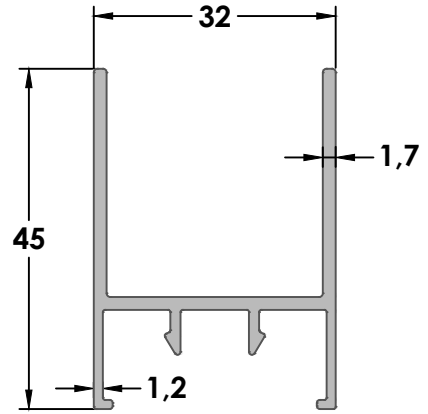
**VERTICAL SERIES PROFILES INDEX**



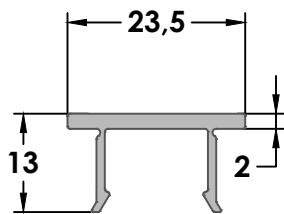
**SVC 01**  
WEIGHT  
(KG/M)  
0,348



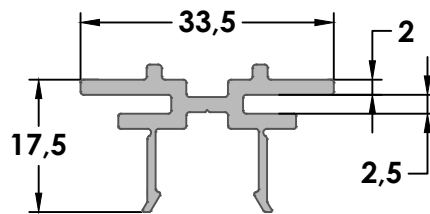
**SVC 02**  
WEIGHT  
(KG/M)  
0,493




**SVC 03**  
WEIGHT  
(KG/M)  
0,563



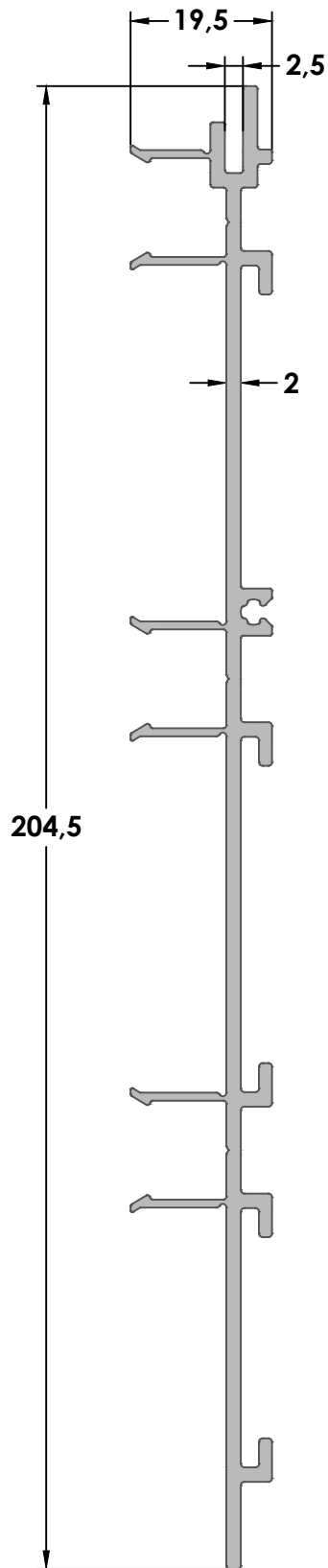
**SVC 04**  
WEIGHT  
(KG/M)  
0,194



**SVC 05**  
WEIGHT  
(KG/M)  
0,394


 Please receive information from sales representative about this profile.

Minimum order quantity 300 kg  
Warning: The weights of profile is theoretical, weighting at the time of delivery are valid

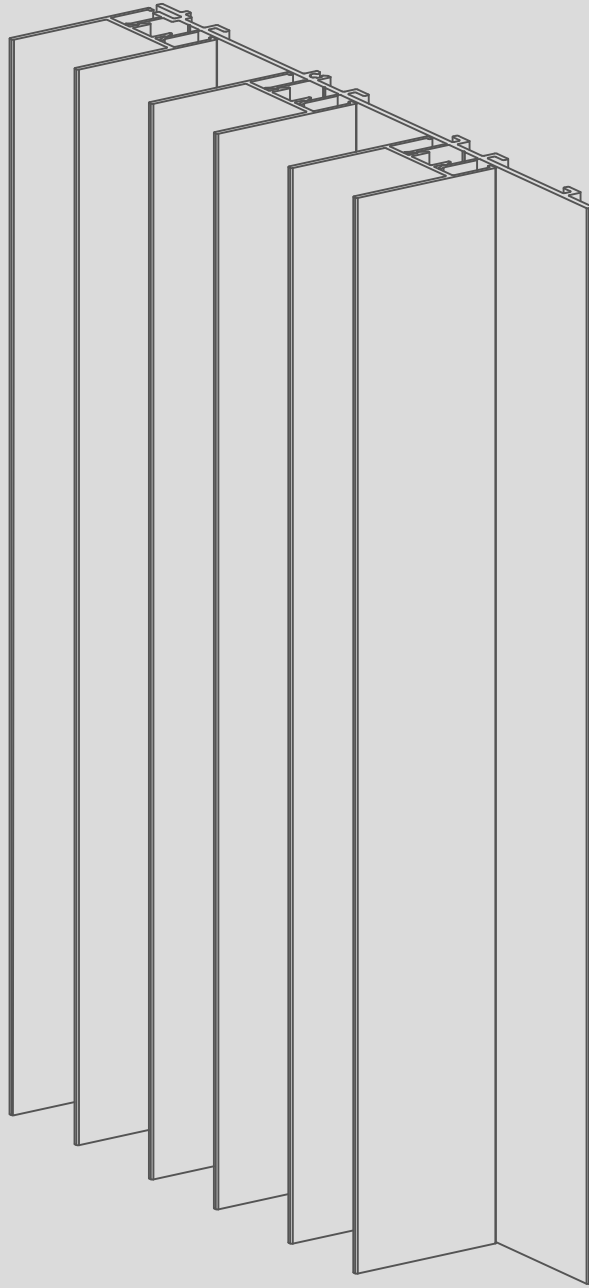


**SVC 06**

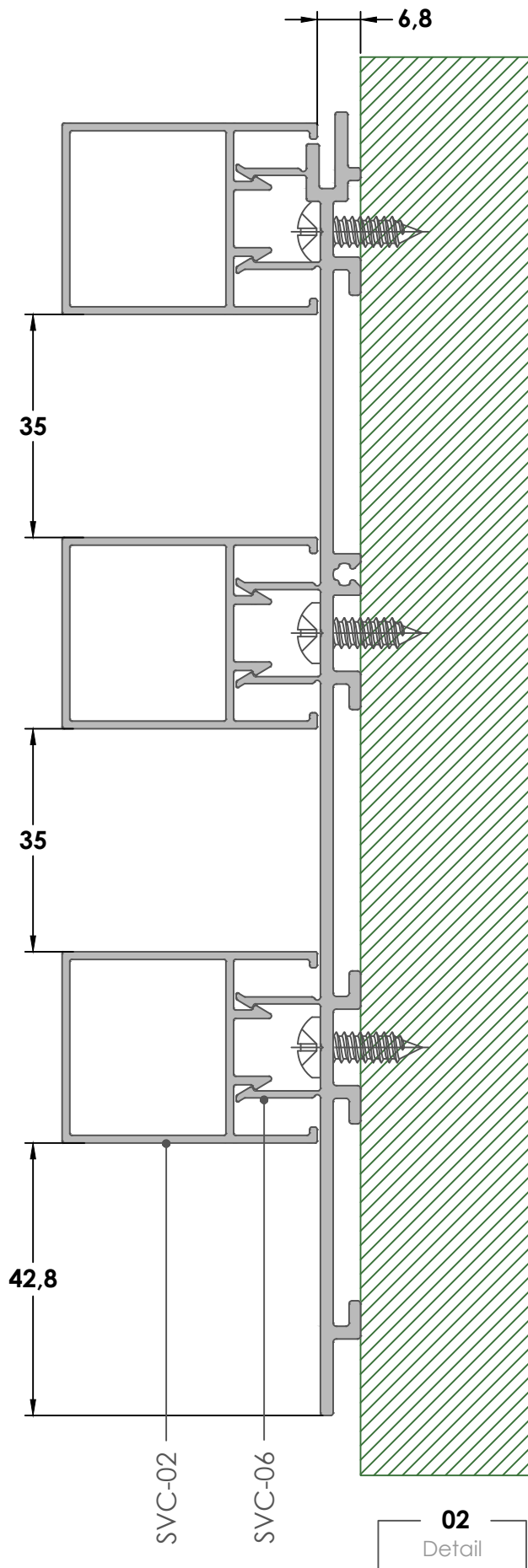
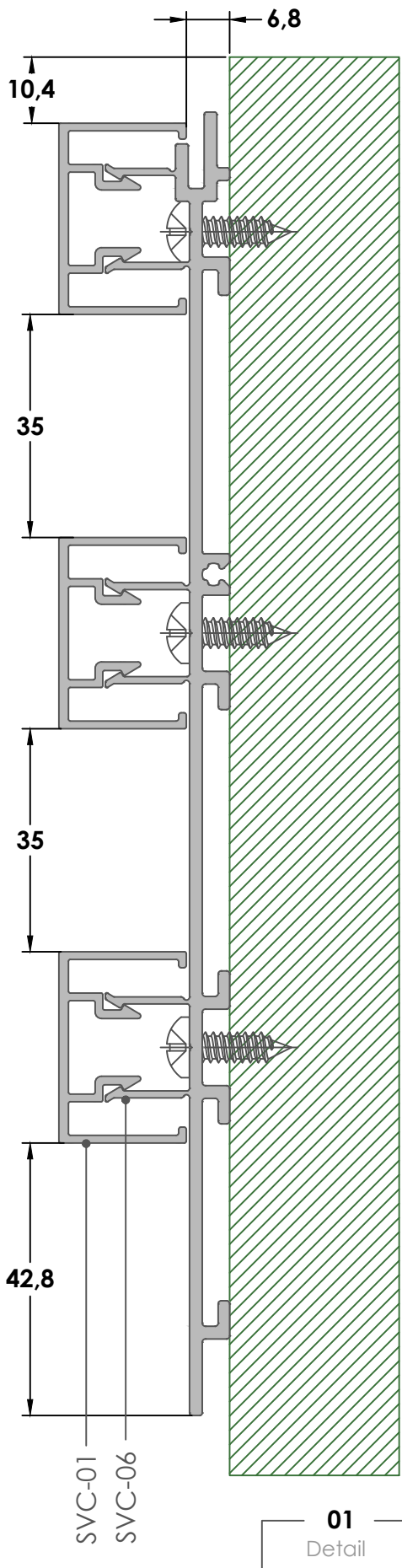
**WEIGHT**  
(KG/M)  
1,672

 Please receive information from sales representative about this profile.

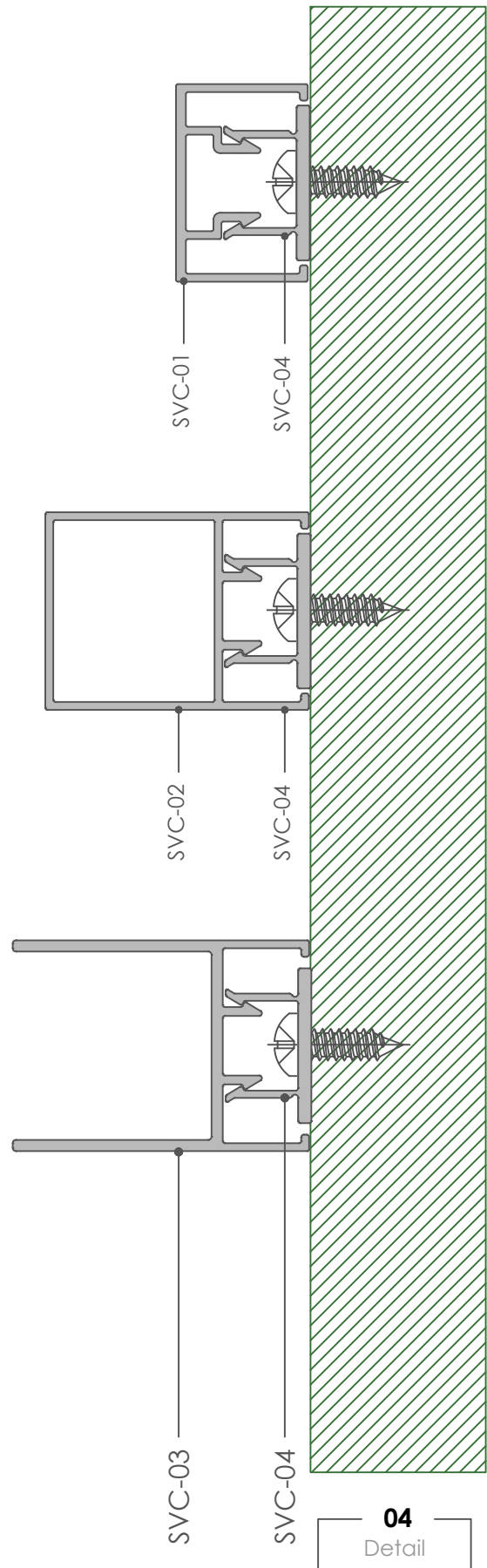
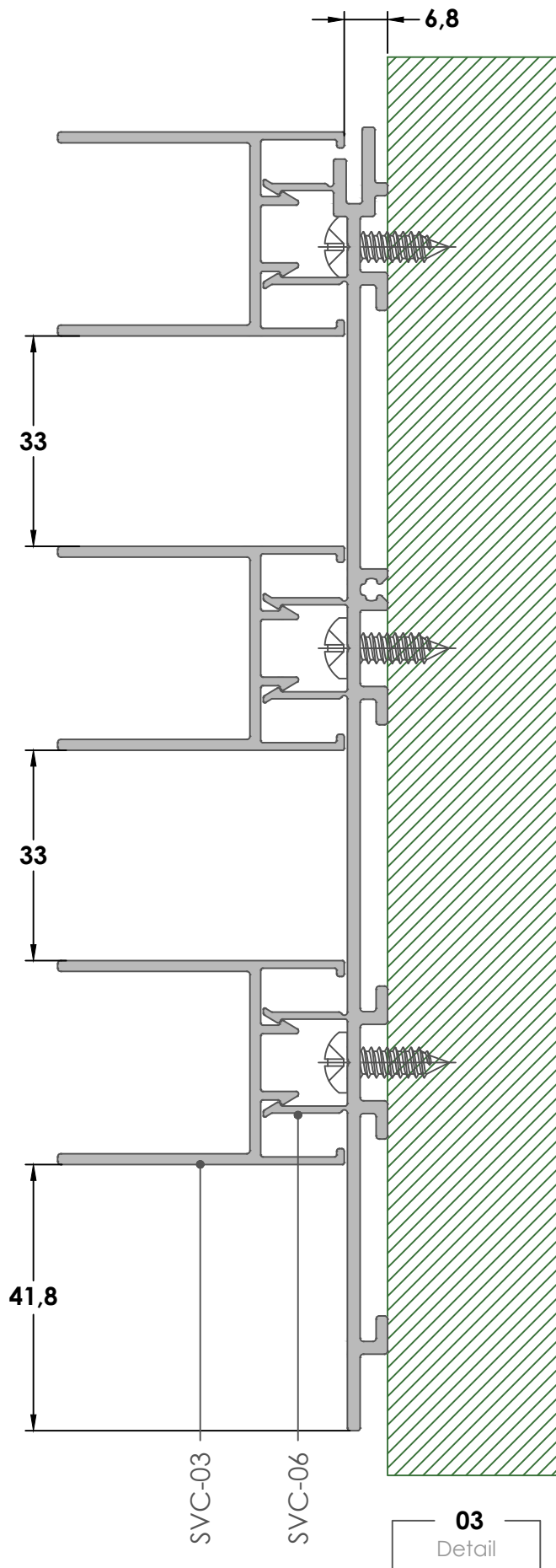
Minimum order quantity 300 kg  
Warning: The weights of profile is theoretical, weighting at the time of delivery are valid



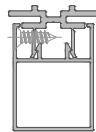
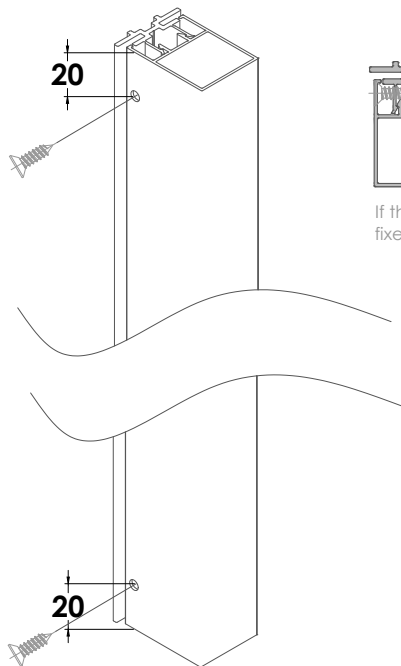
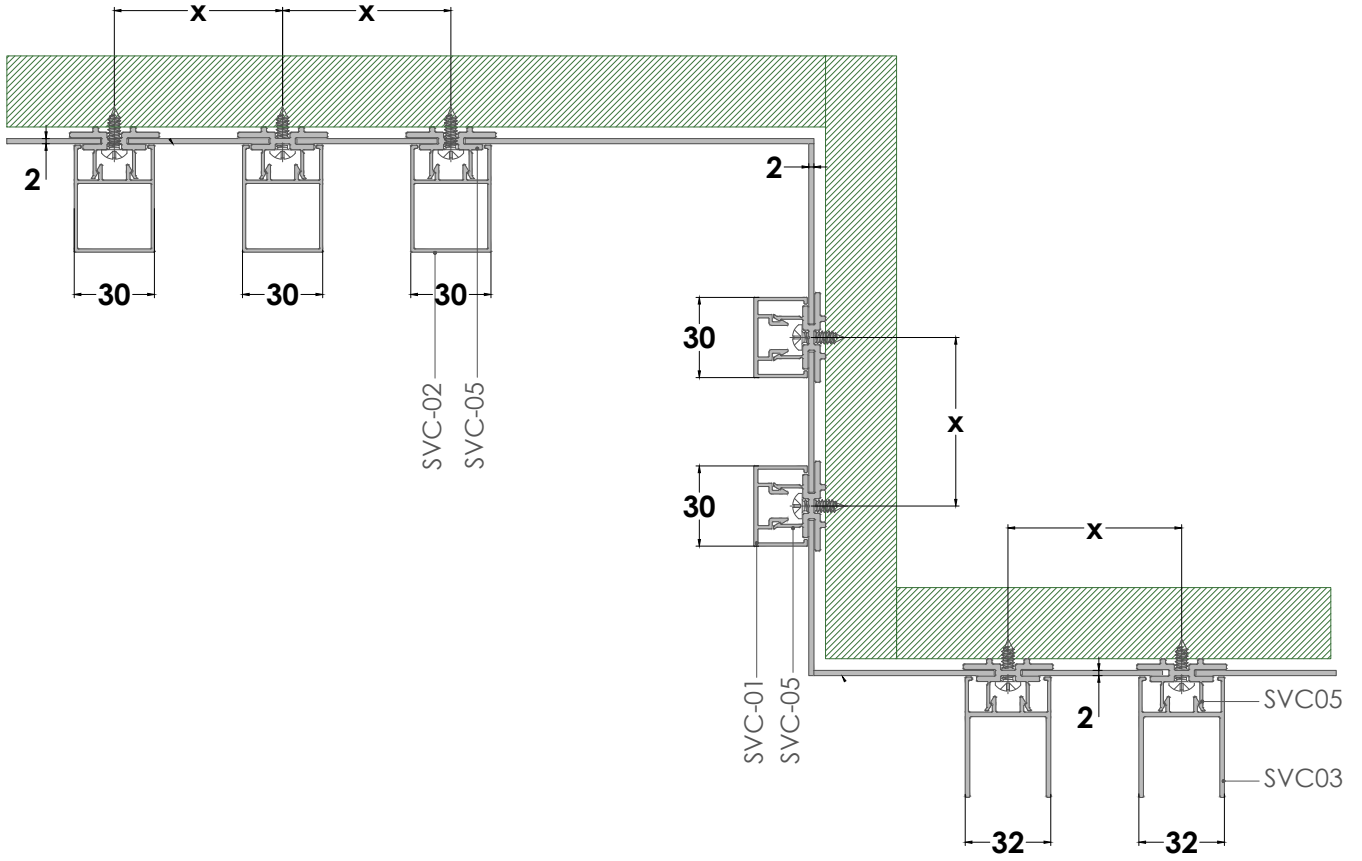
**VERTICAL SERIES DETAILS**



Warning: The weights of profile is theoretical, weighting at the time of delivery are valid



Warning: The weights of profile is theoretical, weighting at the time of delivery are valid



If the installation height is more than 6m, cover profile must be fixed with screws from the top and bottom of the profile.

**05**  
Detail