

ALT77



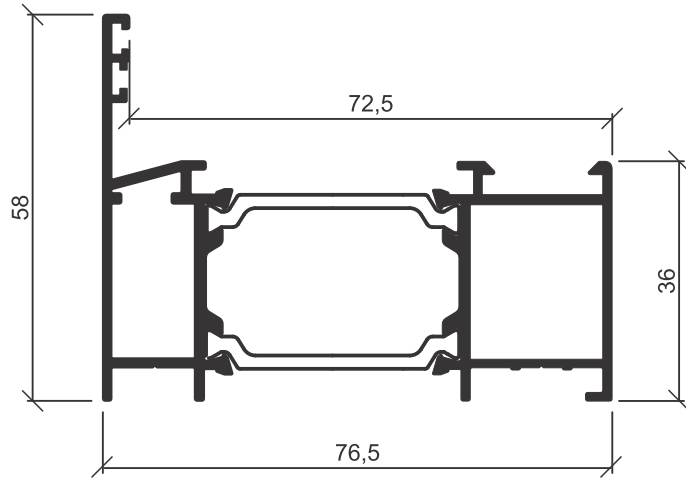
Oznaka Code	Izgled Design 1:4	Opis Description
7710 G Kg/m 1.390		Štok Frame
7711 G Kg/m 1.573		Štok Frame
7712 G Kg/m 1.850		Štok Frame
7713 G Kg/m 1.450		Štok Frame
7714 G Kg/m 1.610		Štok Frame
7720 G Kg/m 1.725		Krilo Sash
7721 G Kg/m 1.729		Krilo Sash
7722 G Kg/m 1.731		Krilo Sash

Oznaka Code	Izgled Design 1:4	Opis Description
7723 G Kg/m 1.735		Krilo Sash
7730 G Kg/m 2.039		Krilo Sash
7731 G Kg/m 2.041		Krilo Sash
7732 G Kg/m 2.090		Krilo u polje Sash in the space
7733 G Kg/m 2.105		Krilo u polje Sash in the space
7735 G Kg/m 1.805		Skriveno krilo Hidden Sash
7744 G Kg/m 2.743		"T" profil "T" profile
7741 G Kg/m 1.772		"T" profil "T" profile

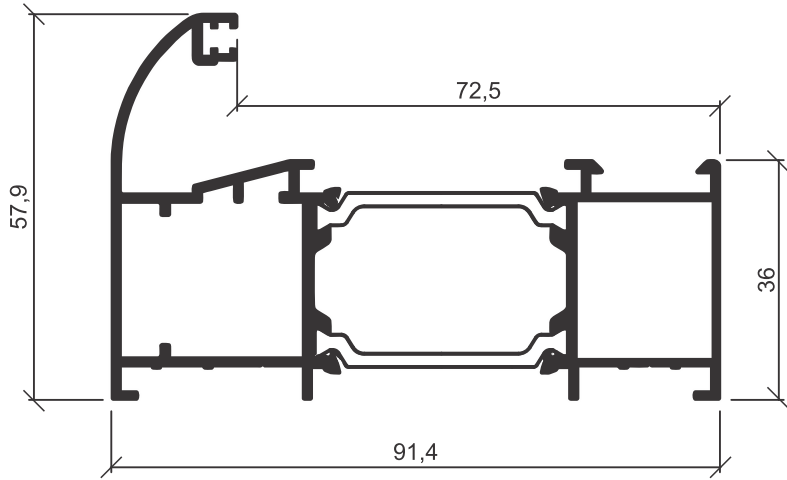
Oznaka Code	Izgled Design 1:4	Opis Description
7751 G Kg/m 1.464		Srednja dopuna Central rabbet
7752 G Kg/m 1.430		Srednja dopuna Central rabbet
7701 G Kg/m 0.964		Prag Treshold
7702 G Kg/m 1.626		Dopuna štoka Frame rabbet
7703 G Kg/m 1.087		Nosač četkice Door brush rabbet seal
7760 G Kg/m 1.698		Kugla Bulb
1161 G Kg/m 0.132		Dopuna ugla Rabbet for corner
1162 G Kg/m 0.174		Dopuna ugla Rabbet for corner



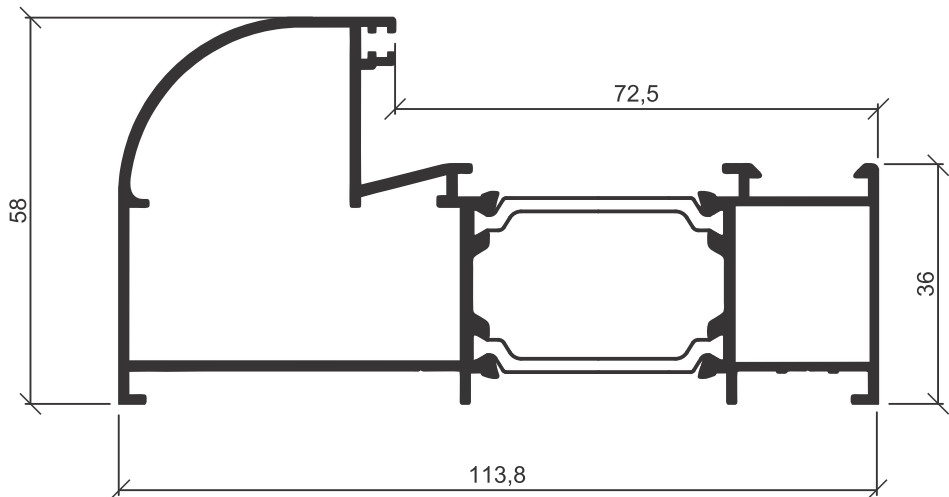
7710
 Štok
 Frame
 1.390 Kg/m'




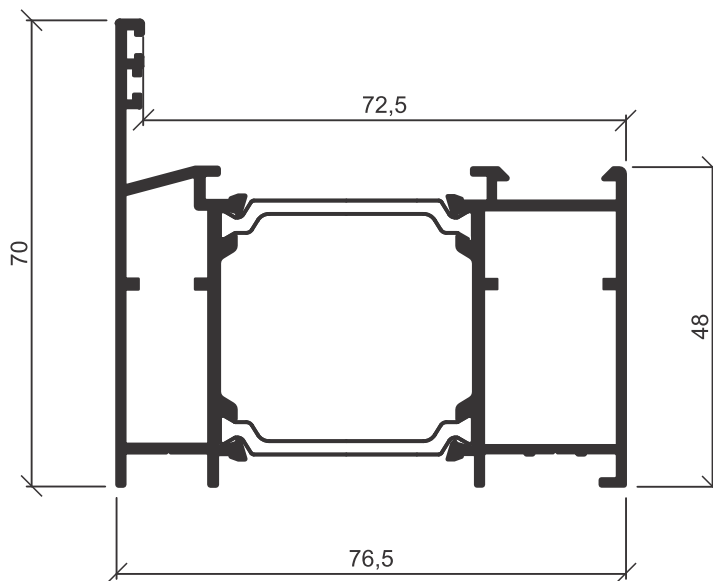
7711
 Štok
 Frame
 1.573 Kg/m'




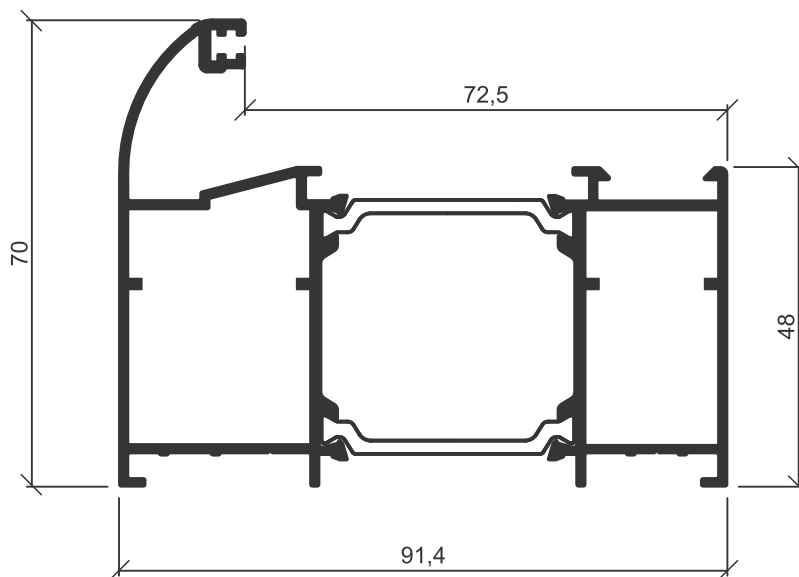
7712
 Štok
 Frame
 1.850 Kg/m'



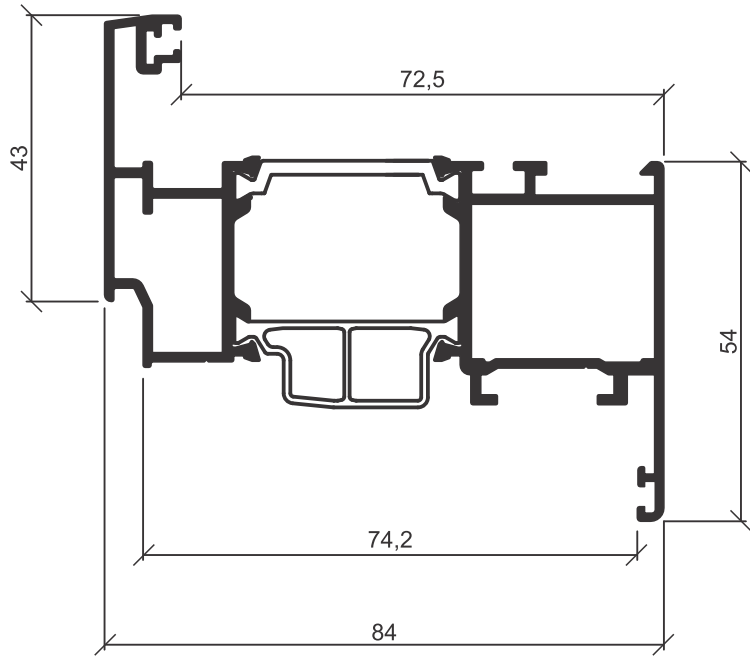
7713
 Štok
 Frame
 1.450 Kg/m'

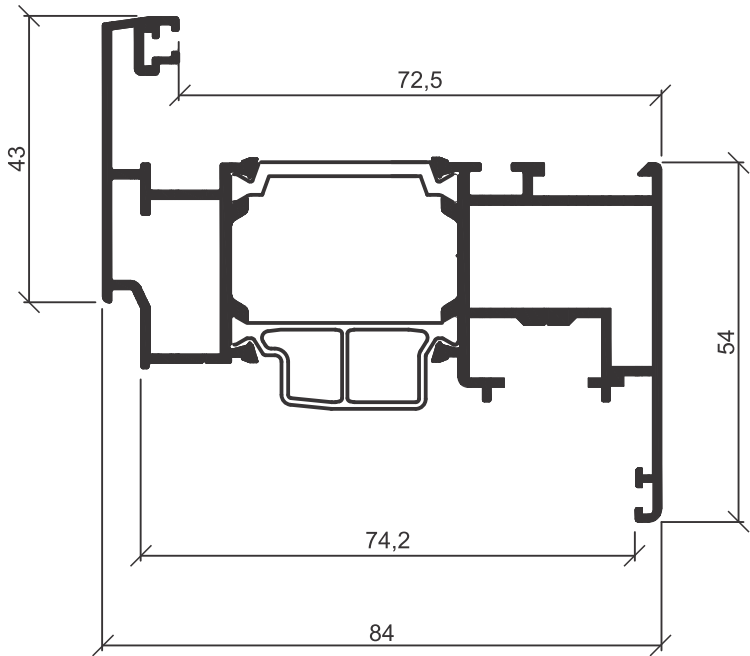
7714
 Štok
 Frame
 1.610 Kg/m'

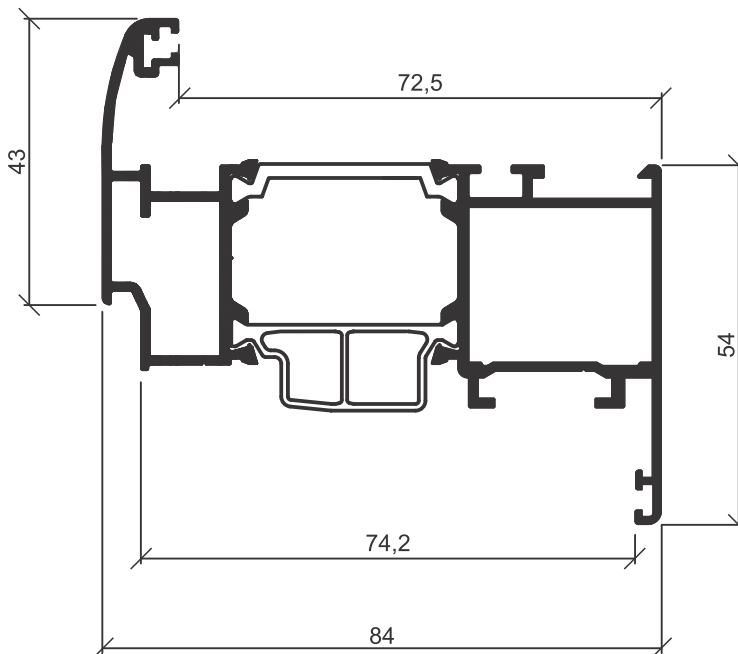
7720
 Krilo
 Sash
 1.725 Kg/m'

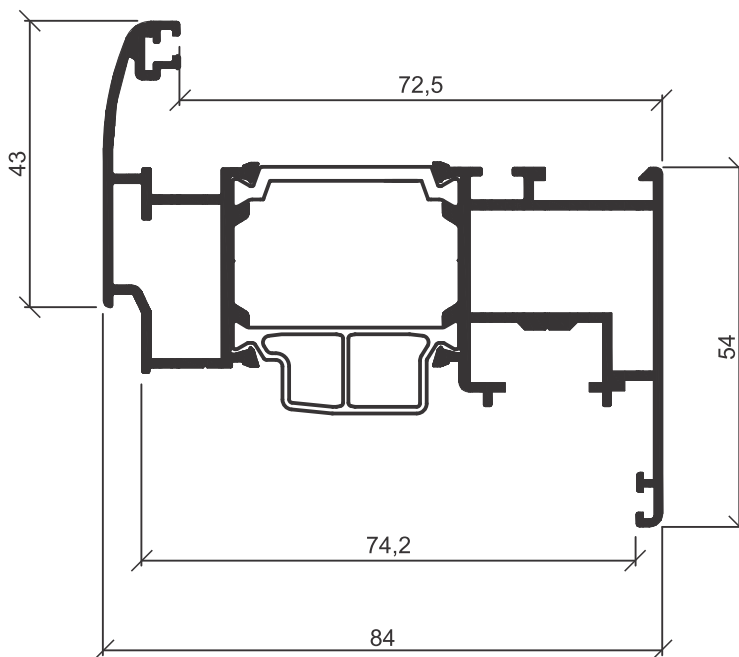
7721
 Krilo
 Sash
 1.729 Kg/m'

7722
Kriolo
Sash
1.731 Kg/m'

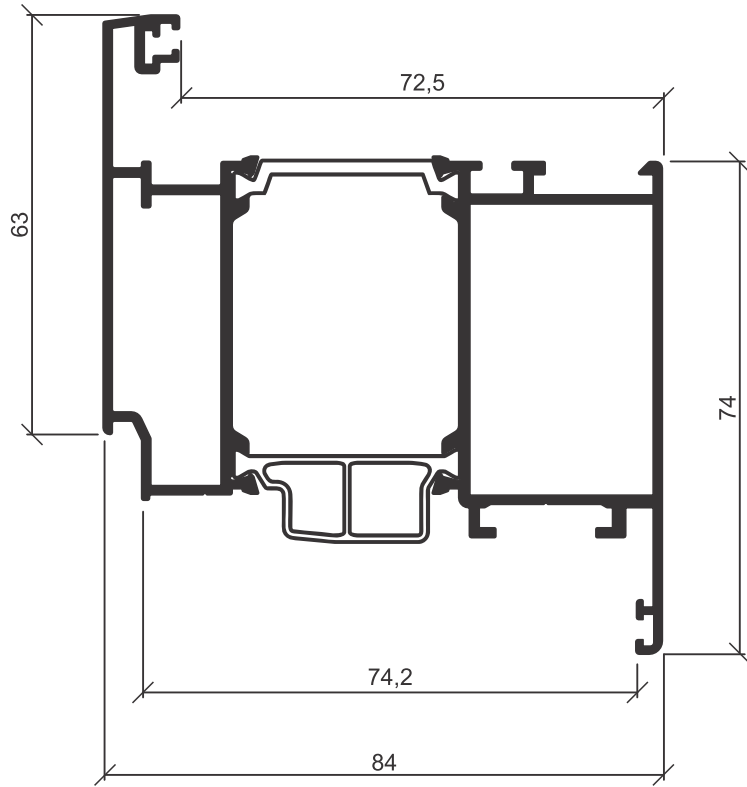
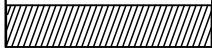


7723
Kriolo
Sash
1.735 Kg/m'



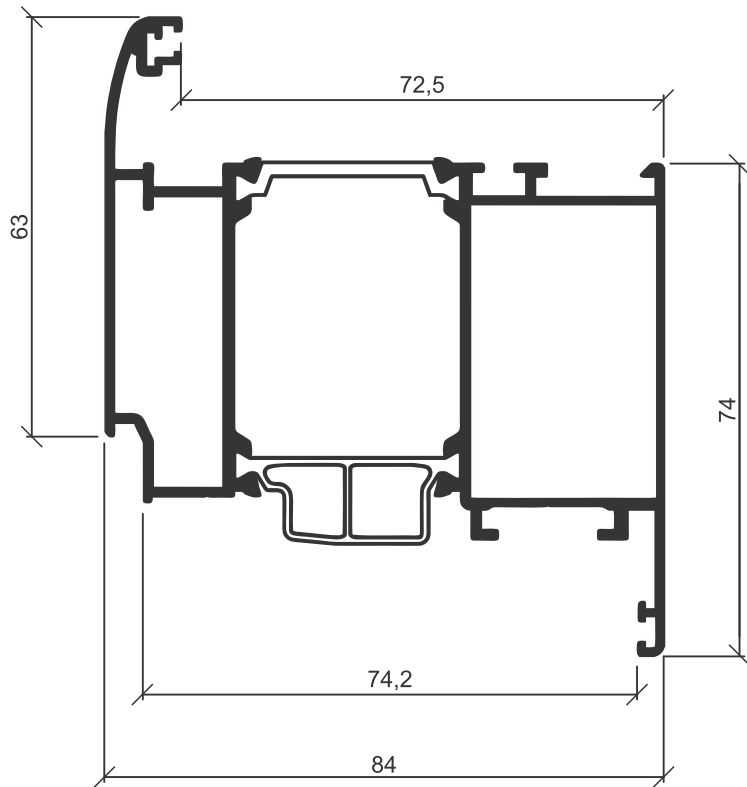
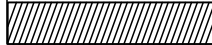
7730

Krilo
Sash
2.039 Kg/m'

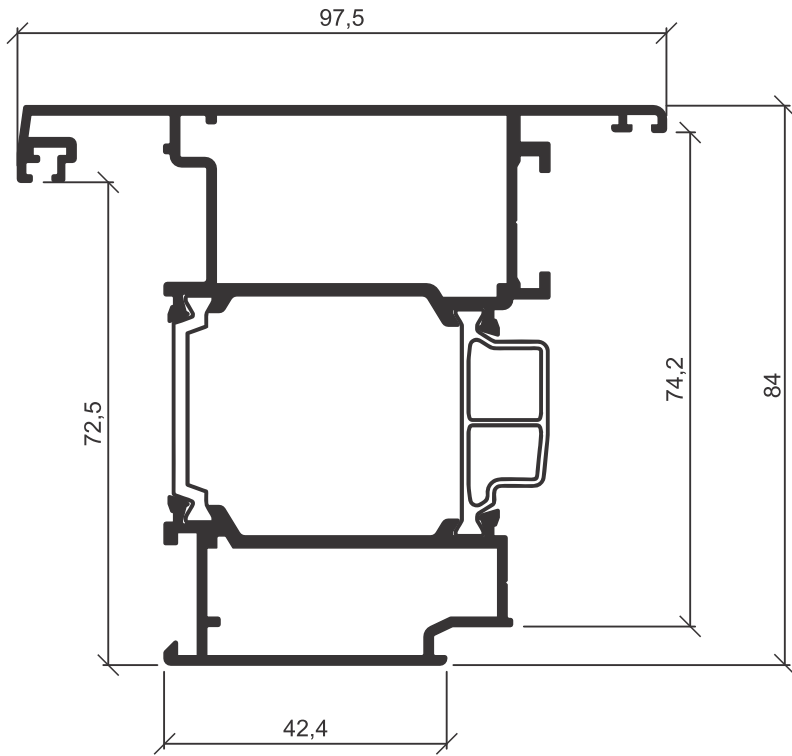


7731

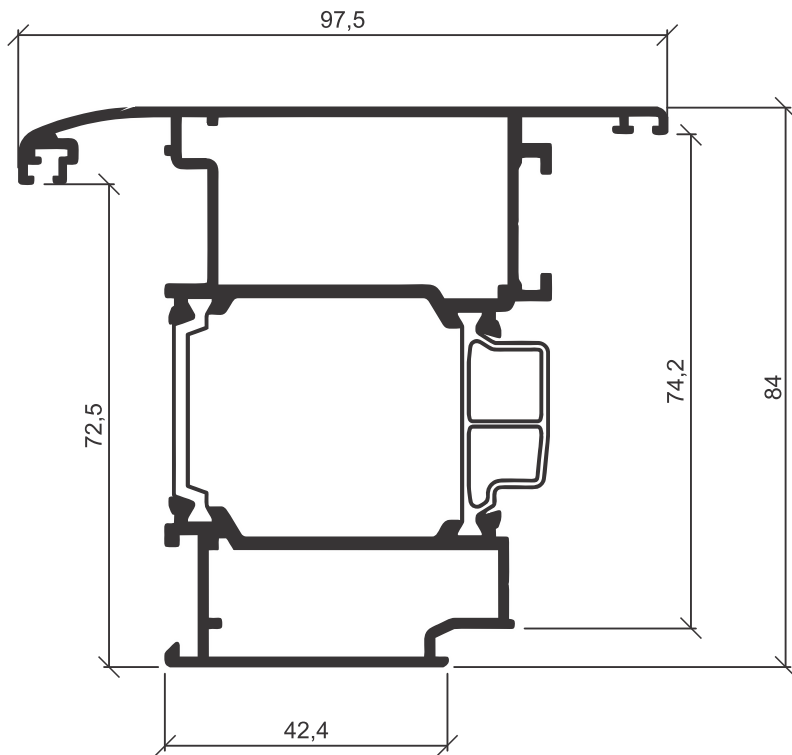
Krilo
Sash
2.041 Kg/m'



7732
 Krilo u polje
 Sash in the space
 2.090 Kg/m'



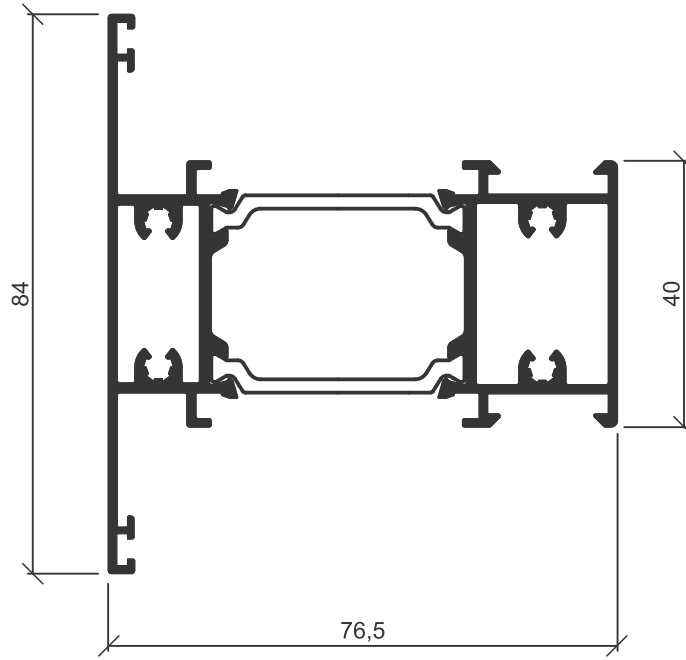
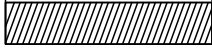
7733
 Krilo u polje
 Sash in the space
 2.105 Kg/m'



7741

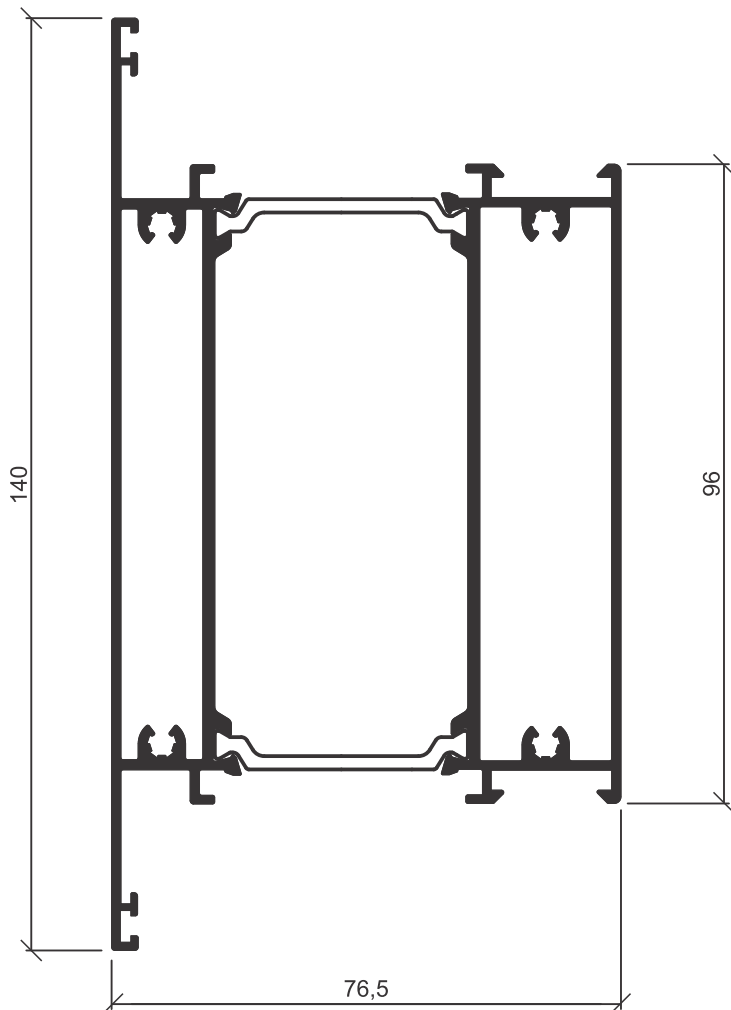
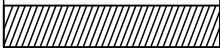
"T" profil

"T" profile
1.772 Kg/m'

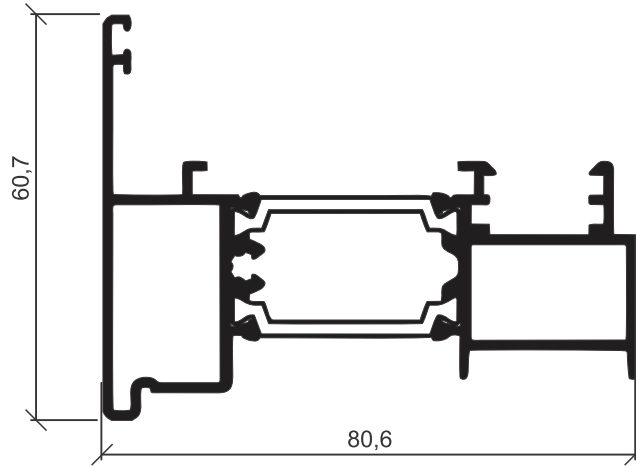


7744

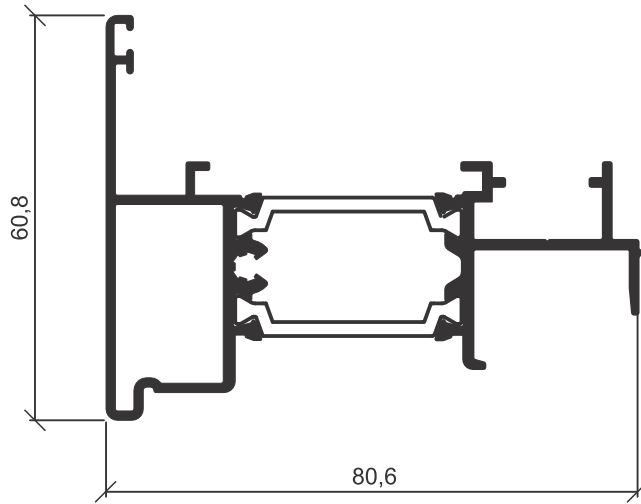
Parapet
Bottom profile
2.743 Kg/m'



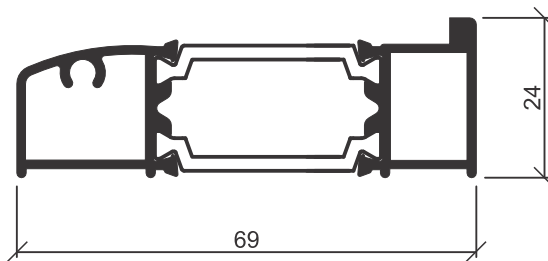
7751
 Srednja dopuna
 Central rabbet
 1.464 Kg/m'

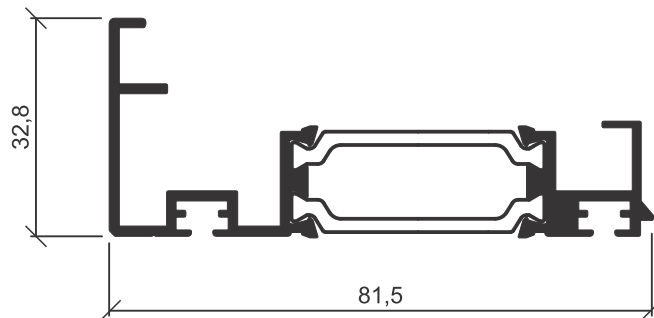
7752
 Srednja dopuna
 Central rabbet
 1.430 Kg/m'

7701
 Prag
 Treshold
 0.964 Kg/m'

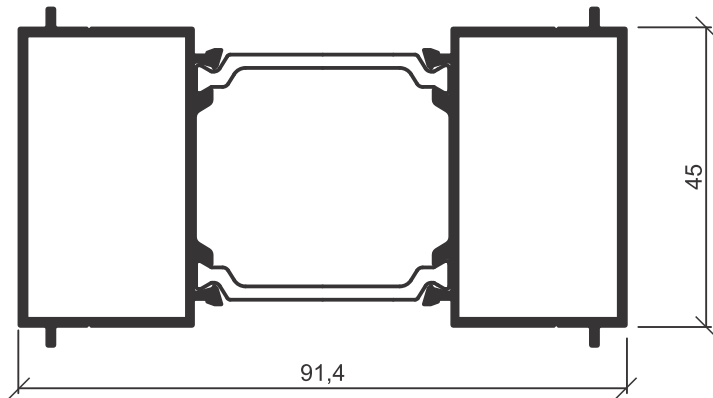
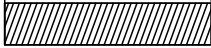



7703
 Nosač četkice
 Door brush
 rabbet seal
 1.087 Kg/m'

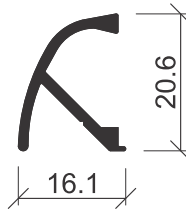
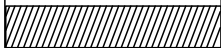
7702

Dopuna štoka
Rabbet for frame
1.626 Kg/m'



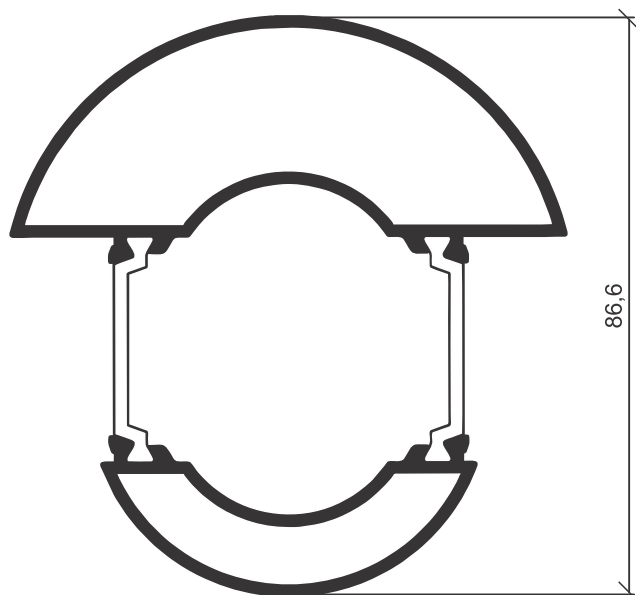
5180

Okapnica
Water drainage
0,190 Kg/m'

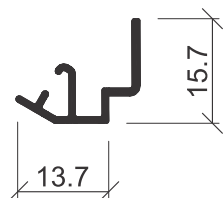


7760

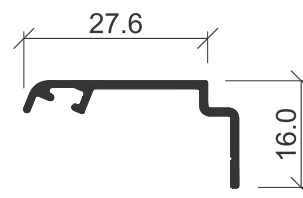
Kugla
Bulb
1.698 Kg/m'



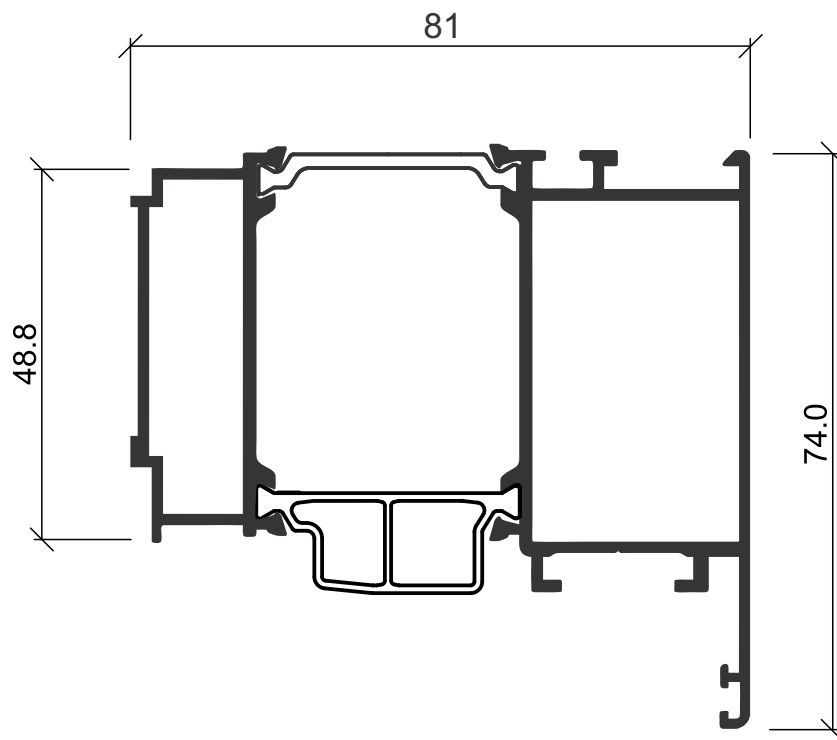
1161
 Dopuna ugla
 Rabbet for corner
 0.132 Kg/m'

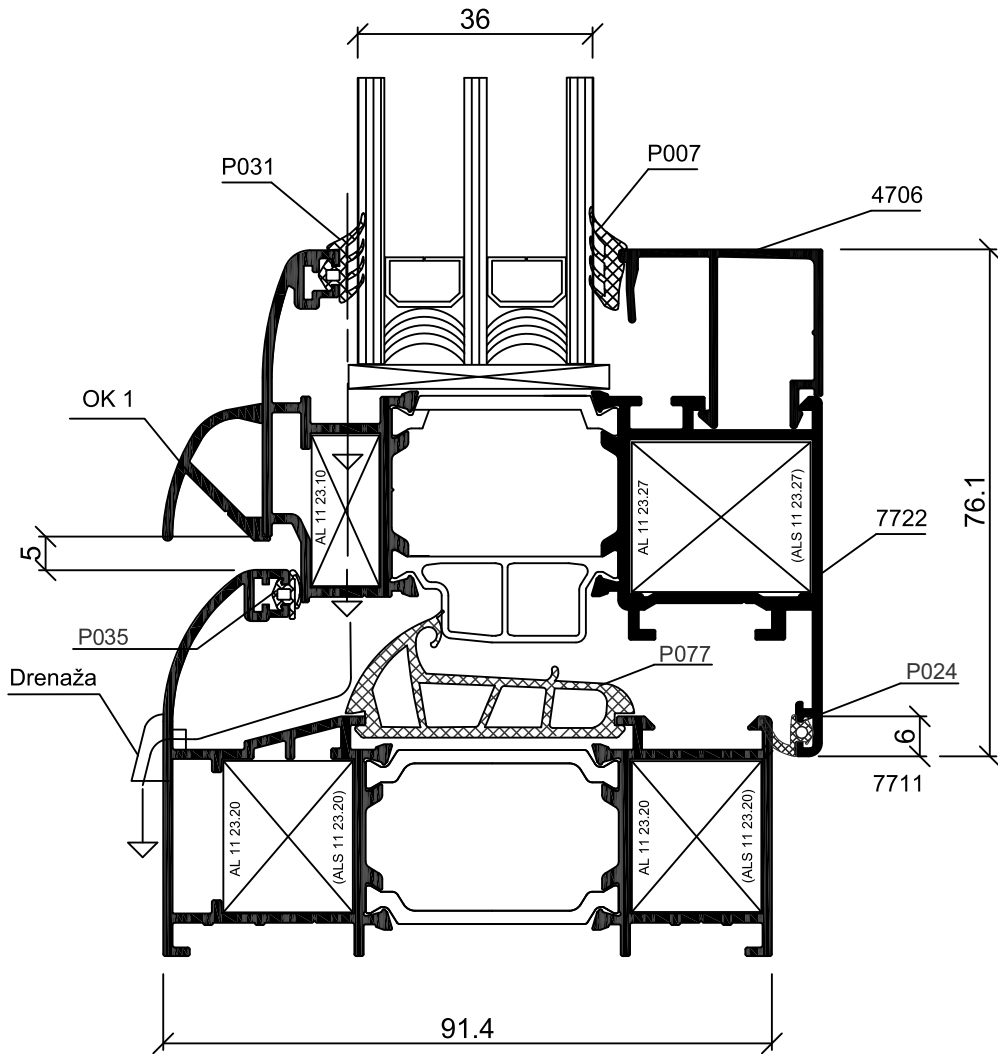


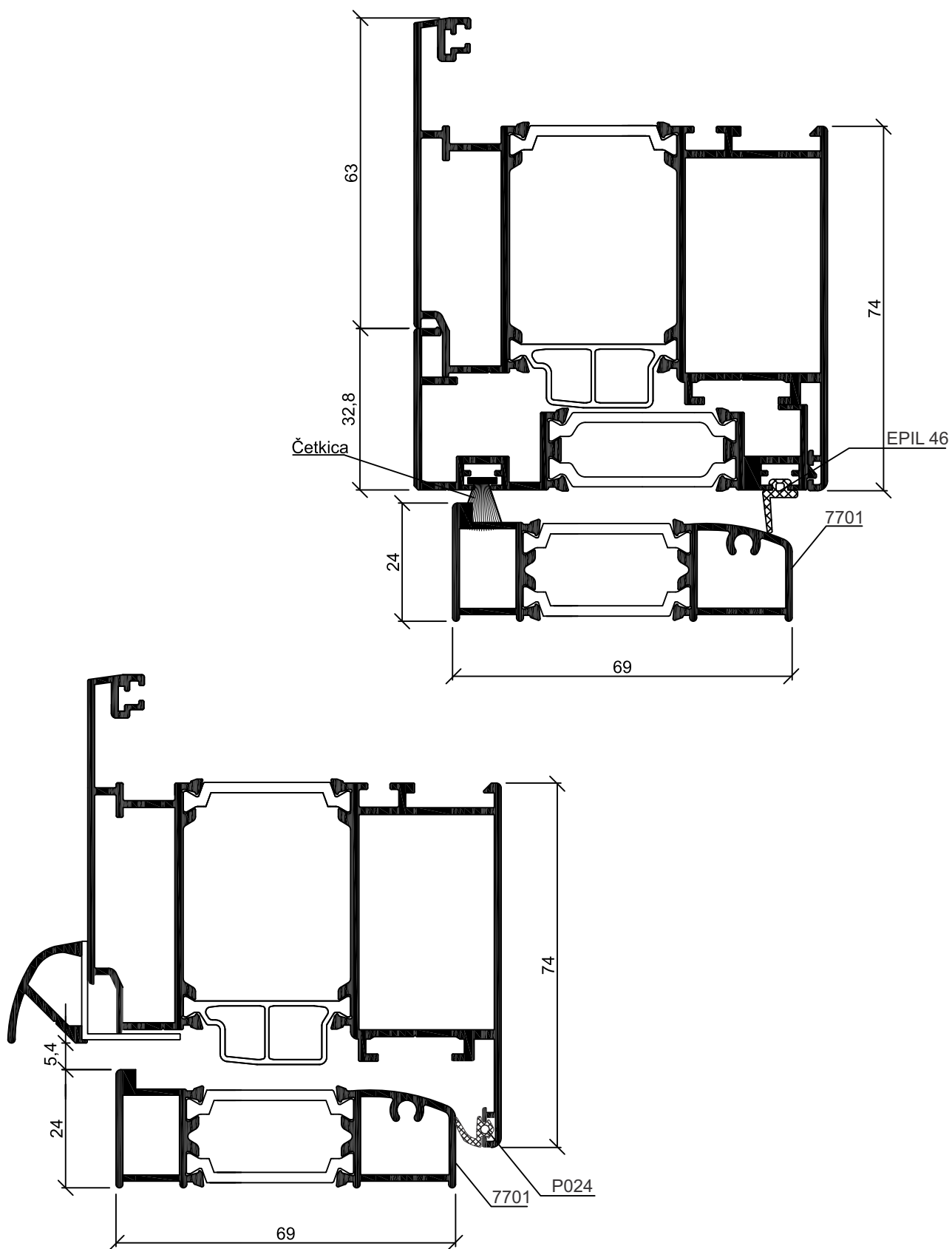
1162
 Dopuna ugla
 Rabbet for corner
 0.174 Kg/m'

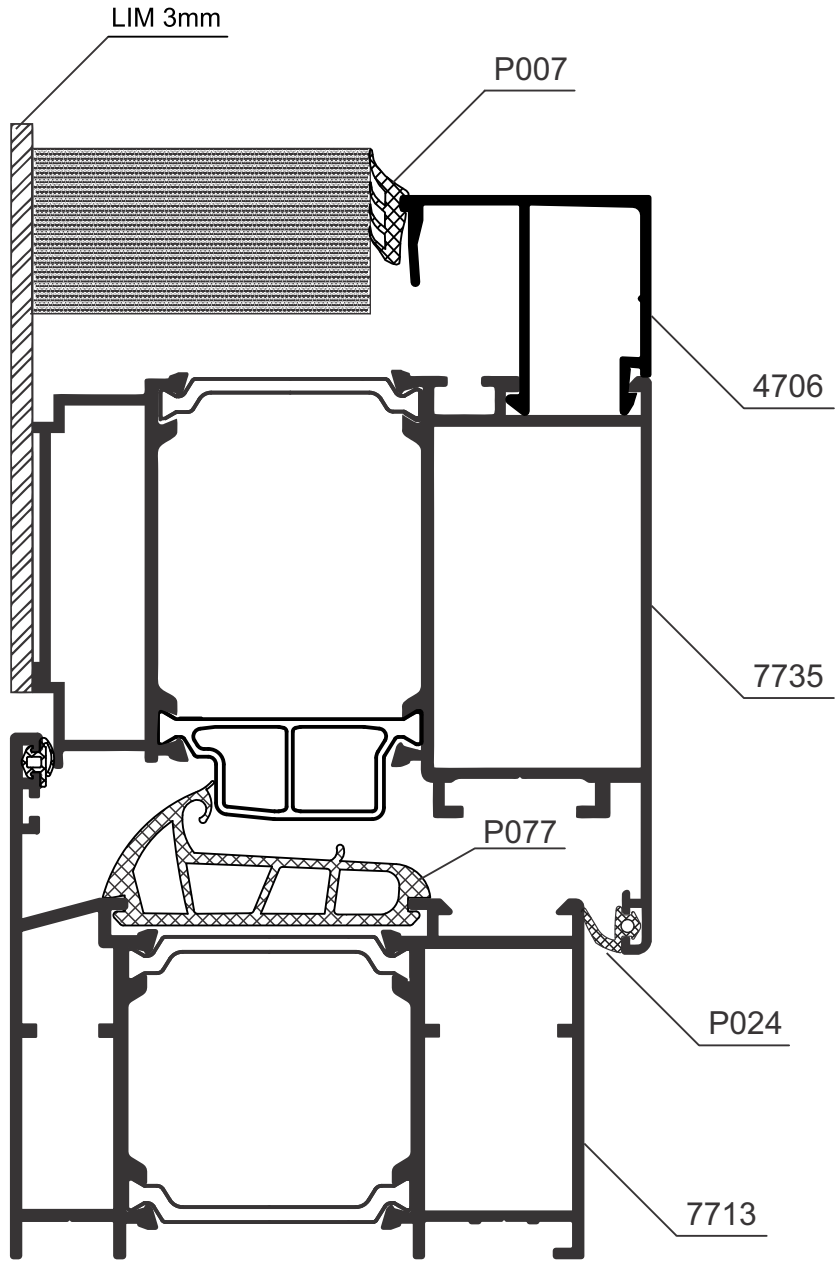


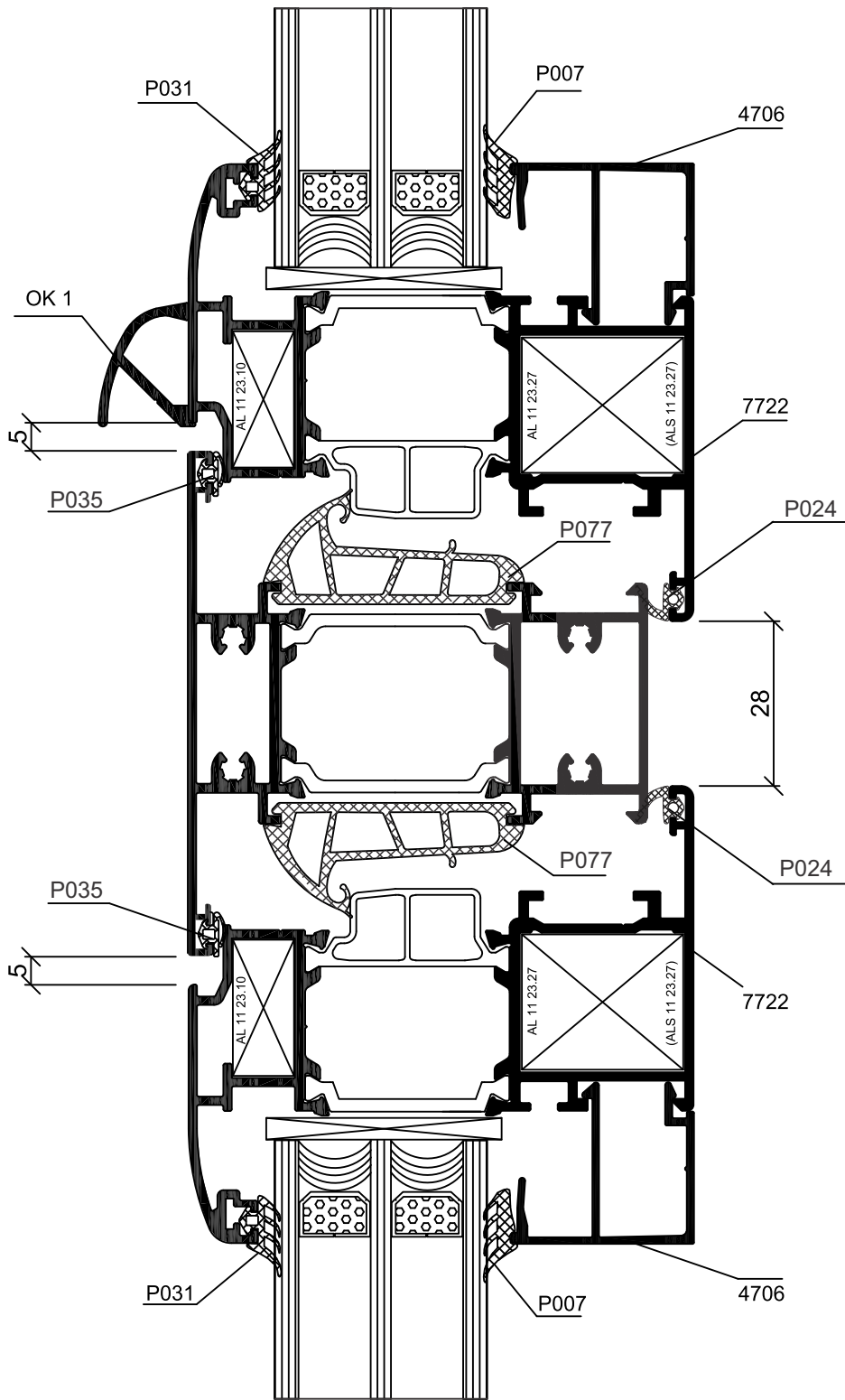
7735
 Skriveno krilo
 Hidden Sash
 1.805 Kg/m'

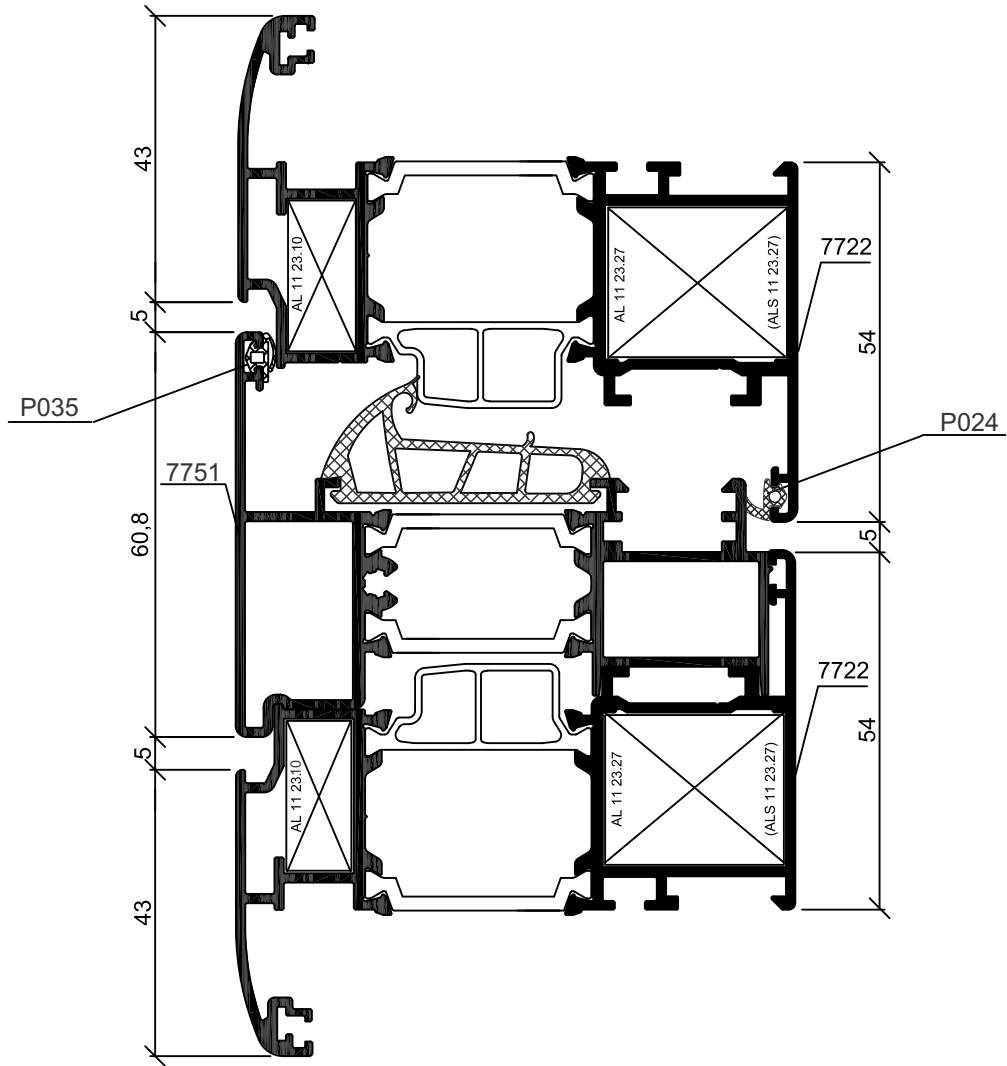


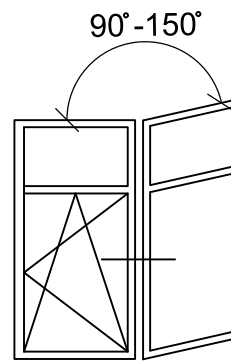




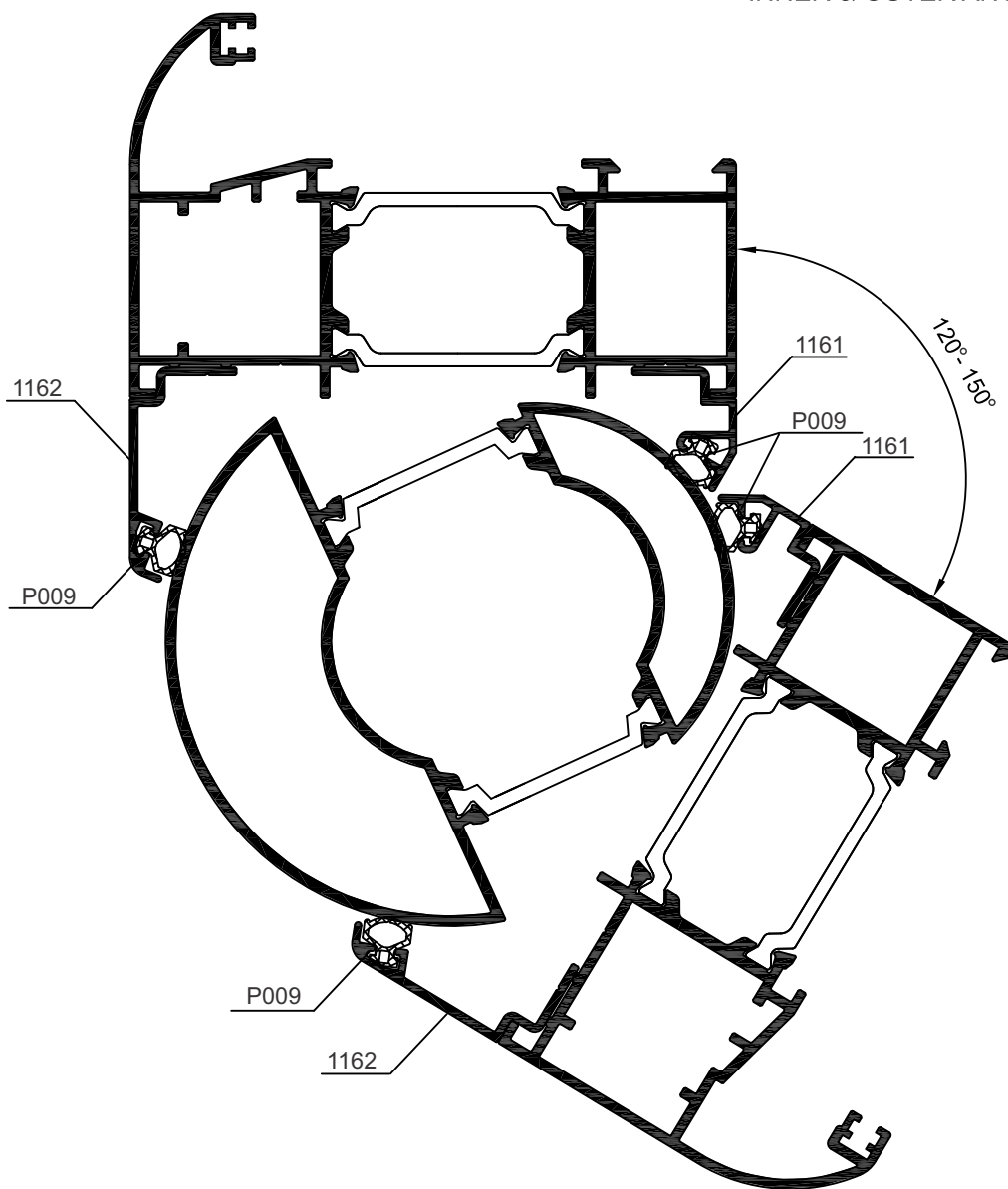


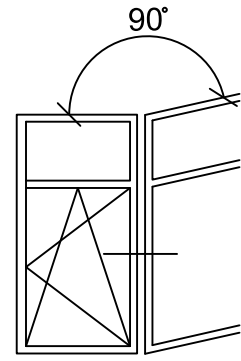




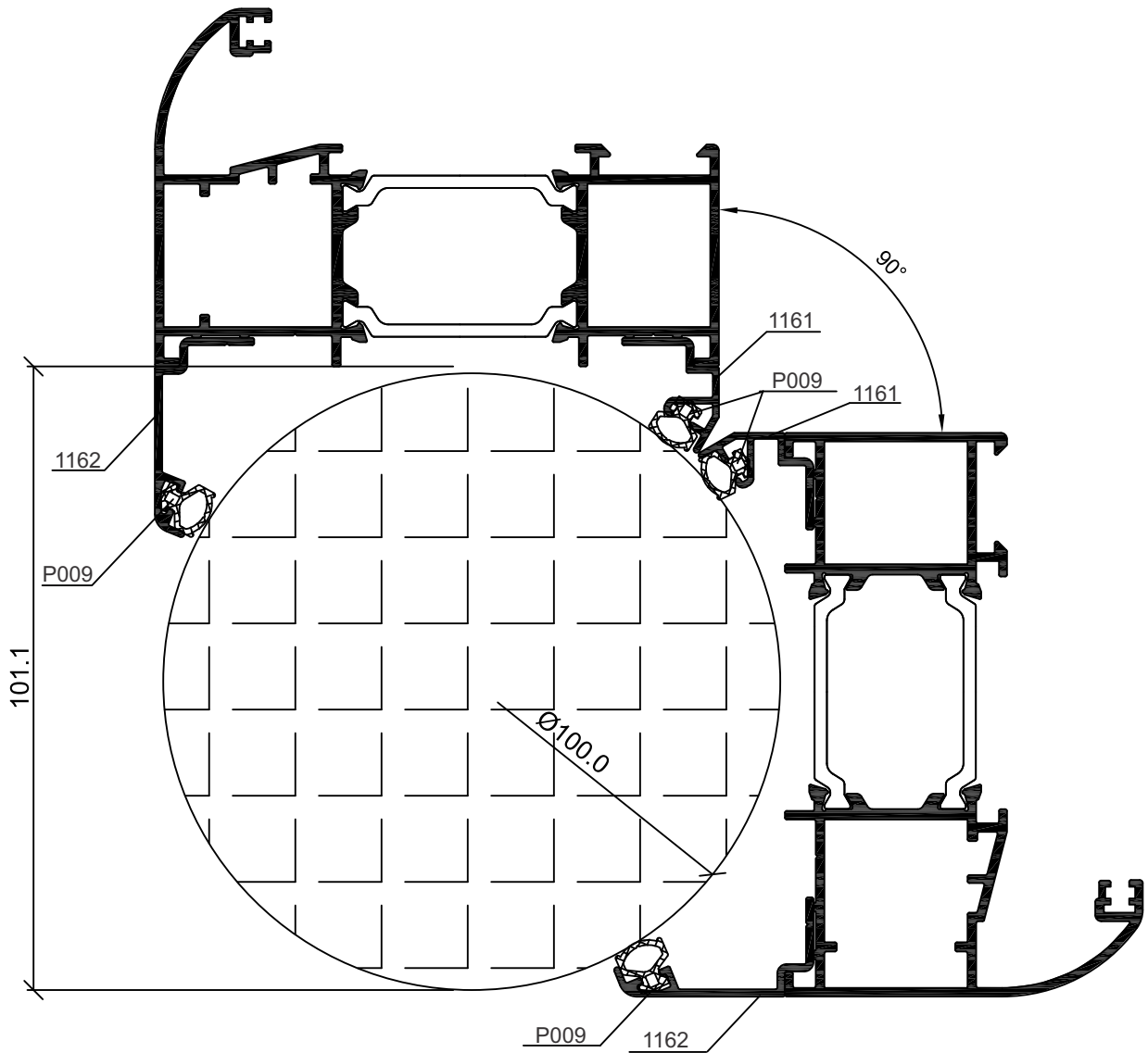


SPOLJNI I UNUTRAŠNJI UGAO
INNER & OUTER ANGLE



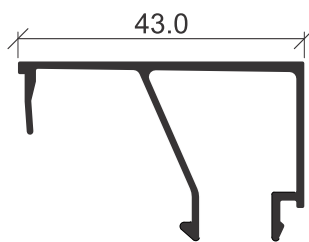


SPOLJNI I UNUTRAŠNJI UGAO
INNER & OUTER ANGLE



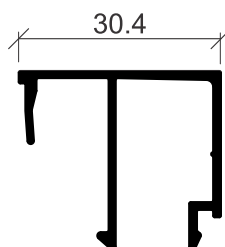
43.1

Lajsna
Glazing bead
0.315 Kg/m'



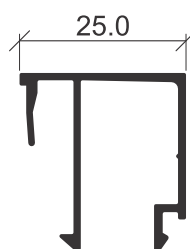
4706

Lajsna
Glazing bead
0.300 Kg/m'



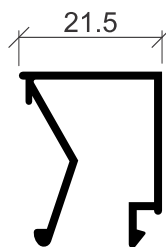
25.1

Lajsna
Glazing bead
0.295 Kg/m'



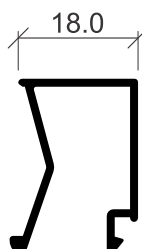
1835

Lajsna
Glazing bead
0.275 Kg/m'



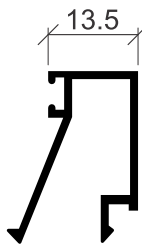
18.1

Lajsna
Glazing bead
0.255 Kg/m'



872

Lajsna
Glazing bead
0.250 Kg/m'



1836

Lajsna
Glazing bead
0.230 Kg/m'

